

Excellent Integrated System Limited

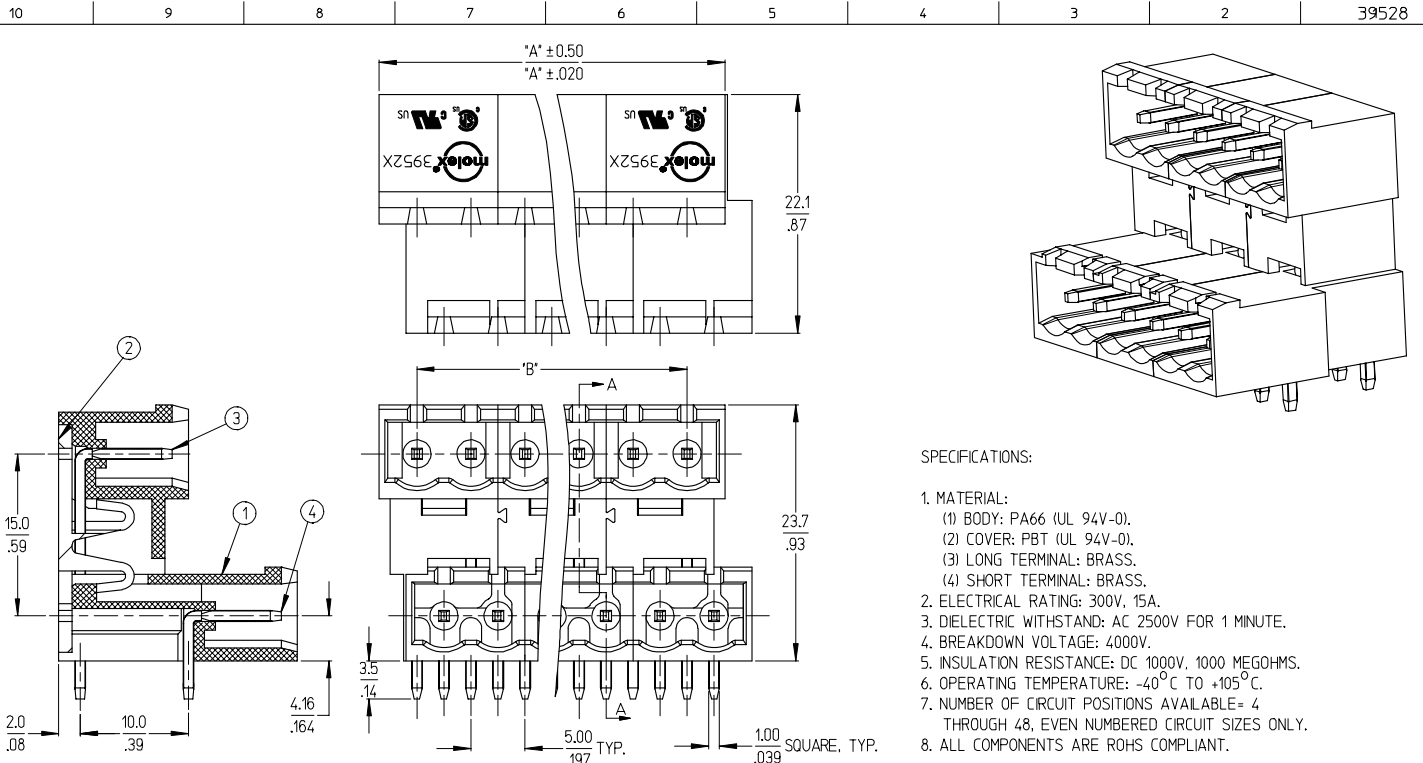
Stocking Distributor

Click to view price, real time Inventory, Delivery & Lifecycle Information:

[Molex Connector Corporation](#)
[0395286016](#)

For any questions, you can email us directly:

sales@integrated-circuit.com



SPECIFICATIONS:

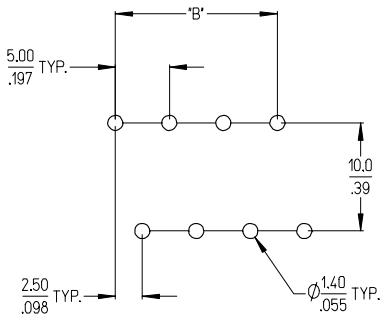
1. MATERIAL:
 - (1) BODY: PA66 (UL 94V-0).
 - (2) COVER: PBT (UL 94V-0).
 - (3) LONG TERMINAL: BRASS.
 - (4) SHORT TERMINAL: BRASS.
2. ELECTRICAL RATING: 300V, 15A.
3. DIELECTRIC WITHSTAND: AC 2500V FOR 1 MINUTE.
4. BREAKDOWN VOLTAGE: 4000V.
5. INSULATION RESISTANCE: DC 1000V, 1000 MEGOHMS.
6. OPERATING TEMPERATURE: -40°C TO +105°C.
7. NUMBER OF CIRCUIT POSITIONS AVAILABLE= 4 THROUGH 48, EVEN NUMBERED CIRCUIT SIZES ONLY.
8. ALL COMPONENTS ARE ROHS COMPLIANT.

SECTION A-A

INITIAL RELEASE EC NO: ETC2007-0020 DRWNS:YORK 2006/07/25 CHKCD:JPANLICKI 2006/07/25 APPPR:JPANLICKI 2006/07/26	QUALITY SYMBOLS ▽=0 ▽=0	GENERAL TOLERANCES (UNLESS SPECIFIED)		DIMENSION STYLE MM/IN	SCALE 3:1	DESIGN UNITS INCH	THIRD ANGLE PROJECTION
		4 PLACES ± --- ± --- 3 PLACES ± --- ± .005 2 PLACES ± 0.13 ± .01 1 PLACE ± 0.3 ± --- ANGULAR ± 2 °	DRAWN BY C. YORK 2006/07/24	DATE 2006/07/24	TITLE 5.0MM, EURO DUAL HEADER, HORIZONTAL, CLOSED END, STACKABLE		
DRAFT WHERE APPLICABLE MUST REMAIN WITHIN DIMENSIONS	CHECKED BY J. PAWLICKI 2006/07/24	DATE 2006/07/24	MOLEX INCORPORATED				
MATERIAL NO. SEE SHEET 2	DOCUMENT NO. SD-39528-002	SHEET NO. 1 OF 2	THIS DRAWING CONTAINS INFORMATION THAT IS PROPRIETARY TO MOLEX INCORPORATED AND SHOULD NOT BE USED WITHOUT WRITTEN PERMISSION				

10 9 8 7 6 5 4 3 2 39528

Circuit size	Material Numbers				Dimensional Information			
	Black		Green		Dim. A		Dim B	
	100% Tin	30 u" Gold	100% Tin	30 u" Gold	mm	inch	mm	inch
4	395281004	395281504	395286004	395286504	12.00	0.472	5.00	0.197
6	395281006	395281506	395286006	395286506	17.00	0.669	10.00	0.394
8	395281008	395281508	395286008	395286508	22.00	0.866	15.00	0.591
10	395281010	395281510	395286010	395286510	27.00	1.063	20.00	0.787
12	395281012	395281512	395286012	395286512	32.00	1.260	25.00	0.984
14	395281014	395281514	395286014	395286514	37.00	1.457	30.00	1.181
16	395281016	395281516	395286016	395286516	42.00	1.654	35.00	1.378
18	395281018	395281518	395286018	395286518	47.00	1.850	40.00	1.575
20	395281020	395281520	395286020	395286520	52.00	2.047	45.00	1.772
22	395281022	395281522	395286022	395286522	57.00	2.244	50.00	1.969
24	395281024	395281524	395286024	395286524	62.00	2.441	55.00	2.165
26	395281026	395281526	395286026	395286526	67.00	2.638	60.00	2.362
28	395281028	395281528	395286028	395286528	72.00	2.835	65.00	2.559
30	395281030	395281530	395286030	395286530	77.00	3.031	70.00	2.756
32	395281032	395281532	395286032	395286532	82.00	3.228	75.00	2.953
34	395281034	395281534	395286034	395286534	87.00	3.425	80.00	3.150
36	395281036	395281536	395286036	395286536	92.00	3.622	85.00	3.346
38	395281038	395281538	395286038	395286538	97.00	3.819	90.00	3.543
40	395281040	395281540	395286040	395286540	102.00	4.016	95.00	3.740
42	395281042	395281542	395286042	395286542	107.00	4.213	100.00	3.937
44	395281044	395281544	395286044	395286544	112.00	4.409	105.00	4.134
46	395281046	395281546	395286046	395286546	117.00	4.606	110.00	4.331
48	395281048	395281548	395286048	395286548	122.00	4.803	115.00	4.528



RECOMMENDED PCB LAYOUT

SEE SHEET 1 IEC NO: EIC2007-0020 DRAWN: YORK 2006/07/25 CHECKED: JPAWLICKI 2006/07/25 APPR: JPAWLICKI 2006/07/26	QUALITY SYMBOLS ▽=0 ▽=0	GENERAL TOLERANCES (UNLESS SPECIFIED)		DIMENSION STYLE MM/IN	SCALE 3:1	DESIGN UNITS INCH	THIRD ANGLE PROJECTION
		4 PLACES ± --- ± --- 3 PLACES ± --- ± .005 2 PLACES ± 0.13 ± .01 1 PLACE ± 0.3 ± --- ANGULAR ± 2°	DRAWN BY C. YORK DATE 2006/07/24	CHECKED BY J. PAWLICKI DATE 2006/07/24	APPROVED BY J. PAWLICKI DATE 2006/07/24	TITLE 5.0MM, EURO DUAL HEADER, HORIZONTAL, CLOSED END, STACKABLE	MOLEX INCORPORATED
DRAFT WHERE APPLICABLE MUST REMAIN WITHIN DIMENSIONS	MATERIAL NO. SEE CHART	DOCUMENT NO. SD-39528-002	THIS DRAWING CONTAINS INFORMATION THAT IS PROPRIETARY TO MOLEX INCORPORATED AND SHOULD NOT BE USED WITHOUT WRITTEN PERMISSION				

9 8 7 6 5 4 3 2 1