

Excellent Integrated System Limited

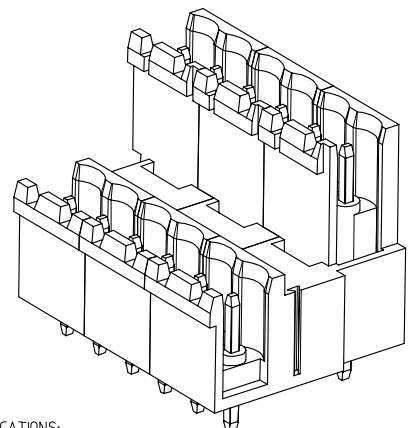
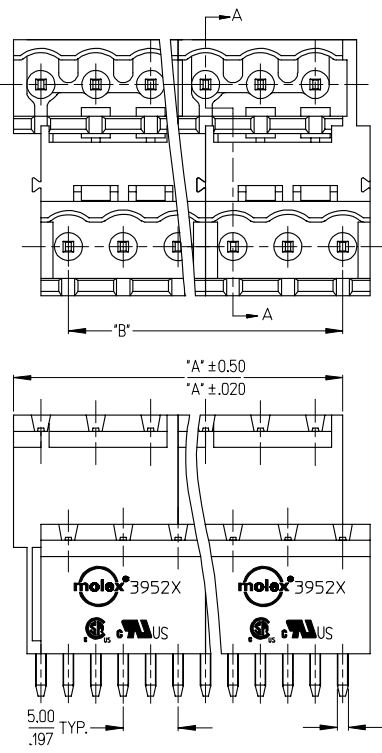
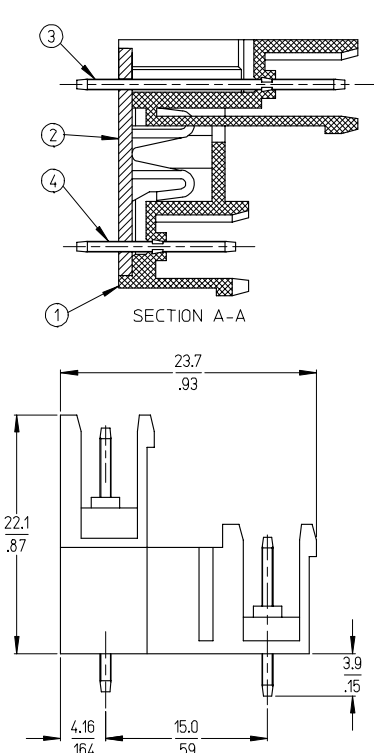
Stocking Distributor

Click to view price, real time Inventory, Delivery & Lifecycle Information:

[Molex Connector Corporation](#)
[0395287022](#)

For any questions, you can email us directly:

sales@integrated-circuit.com



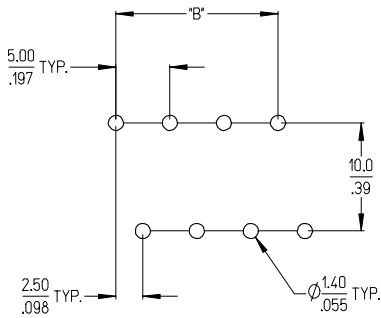
SPECIFICATIONS:

1. MATERIAL:
 - (1) BODY: PA66 (UL 94V-0).
 - (2) COVER: PBT (UL 94V-0).
 - (3) LONG TERMINAL: BRASS.
 - (4) SHORT TERMINAL: BRASS.
2. ELECTRICAL RATING: 300V, 15A.
3. DIELECTRIC WITHSTAND: AC 2500V FOR 1 MINUTE.
4. BREAKDOWN VOLTAGE: 4000V.
5. INSULATION RESISTANCE: DC 1000V, 1000 MEGOHMS.
6. OPERATING TEMPERATURE: -40°C TO +105°C.
7. NUMBER OF CIRCUIT POSITIONS AVAILABLE= 4 THROUGH 48, EVEN NUMBERED CIRCUIT SIZES ONLY.
8. ALL COMPONENTS ARE ROHS COMPLIANT.

| | | | | | | | | |
|--|-------------------------------|--|-------|-----------------|---|--------------|------------------------|--|
| INITIAL RELEASE EC NO: ETC2007-0020 DRAWN: YORK 2006/07/25 CHKD: JPAWLICKI 2006/07/25 APPR: JPAWLICKI 2006/07/26 | QUALITY SYMBOLS ▽=0 ▽=0 | GENERAL TOLERANCES (UNLESS SPECIFIED) | | DIMENSION STYLE | SCALE | DESIGN UNITS | THIRD ANGLE PROJECTION | |
| | | | | MM/IN | 3:1 | INCH | | |
| | | 4 PLACES ±--- | ±--- | | | DRAWN BY | DATE | TITLE |
| | | 3 PLACES ±--- | ±.005 | | | C. YORK | 2006/07/24 | 5.0MM, EURO DUAL HEADER, VERTICAL, OPEN END, STACKABLE |
| 2 PLACES ±0.13 | ±.01 | | | CHECKED BY | DATE | | | |
| 1 PLACE ±0.3 | ±--- | | | J. PAWLICKI | 2006/07/24 | | | |
| | ANGULAR ± 2° | | | APPROVED BY | DATE | | | |
| | | | | J. PAWLICKI | 2006/07/24 | | | |
| | | DRAFT WHERE APPLICABLE MUST REMAIN WITHIN DIMENSIONS | | MATERIAL NO. | DOCUMENT NO. | | SHEET NO. | |
| | | | | SEE SHT. 2 | SD-39528-003 | | 1 OF 2 | |
| | | | | SIZE B | THIS DRAWING CONTAINS INFORMATION THAT IS PROPRIETARY TO MOLEX INCORPORATED AND SHOULD NOT BE USED WITHOUT WRITTEN PERMISSION | | | |

10 9 8 7 6 5 4 3 2 39528

| Circuit size | Material Numbers | | | | Dimensional Information | | | |
|--------------|------------------|------------|-----------|------------|-------------------------|-------|--------|-------|
| | Black | | Green | | Dim. A | | Dim B | |
| | 100% Tin | 30 u" Gold | 100% Tin | 30 u" Gold | mm | inch | mm | inch |
| 4 | 395282004 | 395282504 | 395287004 | 395287504 | 10.00 | 0.394 | 5.00 | 0.197 |
| 6 | 395282006 | 395282506 | 395287006 | 395287506 | 15.00 | 0.591 | 10.00 | 0.394 |
| 8 | 395282008 | 395282508 | 395287008 | 395287508 | 20.00 | 0.787 | 15.00 | 0.591 |
| 10 | 395282010 | 395282510 | 395287010 | 395287510 | 25.00 | 0.984 | 20.00 | 0.787 |
| 12 | 395282012 | 395282512 | 395287012 | 395287512 | 30.00 | 1.181 | 25.00 | 0.984 |
| 14 | 395282014 | 395282514 | 395287014 | 395287514 | 35.00 | 1.378 | 30.00 | 1.181 |
| 16 | 395282016 | 395282516 | 395287016 | 395287516 | 40.00 | 1.575 | 35.00 | 1.378 |
| 18 | 395282018 | 395282518 | 395287018 | 395287518 | 45.00 | 1.772 | 40.00 | 1.575 |
| 20 | 395282020 | 395282520 | 395287020 | 395287520 | 50.00 | 1.969 | 45.00 | 1.772 |
| 22 | 395282022 | 395282522 | 395287022 | 395287522 | 55.00 | 2.165 | 50.00 | 1.969 |
| 24 | 395282024 | 395282524 | 395287024 | 395287524 | 60.00 | 2.362 | 55.00 | 2.165 |
| 26 | 395282026 | 395282526 | 395287026 | 395287526 | 65.00 | 2.559 | 60.00 | 2.362 |
| 28 | 395282028 | 395282528 | 395287028 | 395287528 | 70.00 | 2.756 | 65.00 | 2.559 |
| 30 | 395282030 | 395282530 | 395287030 | 395287530 | 75.00 | 2.953 | 70.00 | 2.756 |
| 32 | 395282032 | 395282532 | 395287032 | 395287532 | 80.00 | 3.150 | 75.00 | 2.953 |
| 34 | 395282034 | 395282534 | 395287034 | 395287534 | 85.00 | 3.346 | 80.00 | 3.150 |
| 36 | 395282036 | 395282536 | 395287036 | 395287536 | 90.00 | 3.543 | 85.00 | 3.346 |
| 38 | 395282038 | 395282538 | 395287038 | 395287538 | 95.00 | 3.740 | 90.00 | 3.543 |
| 40 | 395282040 | 395282540 | 395287040 | 395287540 | 100.00 | 3.937 | 95.00 | 3.740 |
| 42 | 395282042 | 395282542 | 395287042 | 395287542 | 105.00 | 4.134 | 100.00 | 3.937 |
| 44 | 395282044 | 395282544 | 395287044 | 395287544 | 110.00 | 4.331 | 105.00 | 4.134 |
| 46 | 395282046 | 395282546 | 395287046 | 395287546 | 115.00 | 4.528 | 110.00 | 4.331 |
| 48 | 395282048 | 395282548 | 395287048 | 395287548 | 120.00 | 4.724 | 115.00 | 4.528 |



RECOMMENDED PCB LAYOUT

| | | | | | | | |
|---|-------------------------------|---|---|---|---|----------------------|------------------------|
| SEE SHEET 1 IEC NO: EIC2007-0020 DRAWS: YORK 2006/07/25 CHKD: JPAWLICKI 2006/07/25 APPR: JPAWLICKI 2006/07/26 | QUALITY SYMBOLS ▽=0 ▽=0 | GENERAL TOLERANCES (UNLESS SPECIFIED) | | DIMENSION STYLE MM/IN | SCALE 3:1 | DESIGN UNITS INCH | THIRD ANGLE PROJECTION |
| | | 4 PLACES ± --- ± --- 3 PLACES ± --- ± --- 2 PLACES ± 0.13 ± .01 1 PLACE ± 0.3 ± --- ANGULAR ± 2 ° | mm INCH ± --- ± --- ± .005 ± 0.13 ± .01 ± 0.3 ± --- | DRAWN BY C. YORK DATE 2006/07/24 | TITLE 5.0MM, EURO DUAL HEADER, VERTICAL, OPEN END, STACKABLE | | |
| DRAFT WHERE APPLICABLE MUST REMAIN WITHIN DIMENSIONS | MATERIAL NO. SEE CHART | APPROVED BY J. PAWLICKI DATE 2006/07/24 | MOLEX INCORPORATED | DOCUMENT NO. SD-39528-003 | SHEET NO. 2 OF 2 | | |

9 8 7 6 5 4 3 2 1