

Excellent Integrated System Limited

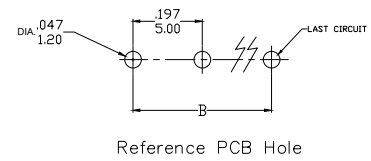
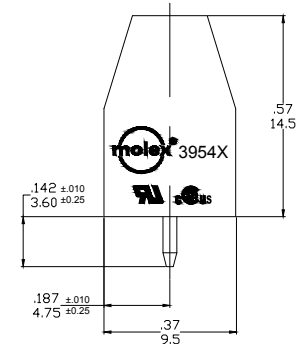
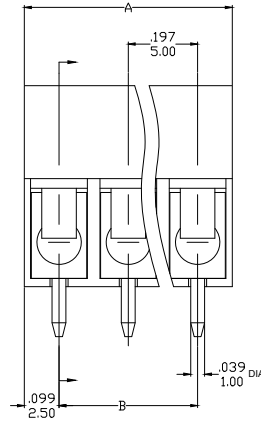
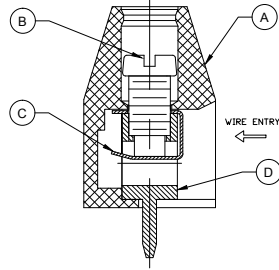
Stocking Distributor

Click to view price, real time Inventory, Delivery & Lifecycle Information:

[Molex Connector Corporation](#)
[0395930013](#)

For any questions, you can email us directly:

sales@integrated-circuit.com



SPECIFICATIONS

1. Material:

- A. Body: Nylon (PA66), UL94 V-0, color: see sheet 2
- B. Screw: Steel, M3.0, Zinc plated
- C. Contact: Brass, Nickel plated
- D. Terminal block: Brass, Tin Plated

2. Wire Rating: 24-14 AWG

3. Electrical rating: 300V, 15A

4. Power-Frequency withstand: AC 2500V/1min

5. Insulation resistance: DC500V 500MΩ or above

6. Rated impulse voltage: 4000V/minus and plus 5 times each.

7. Wire strip length: .28 (7.0mm.)

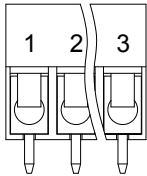
8. Screw Torque (max): 3.0 lbf.in (0.34 N.m).

9. Operating temperature: -40°to+105° C

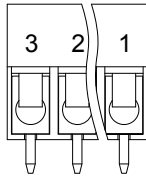
10. Number of circuits: 2 to 24, see sheet 2

| | | | | | | | | | | | |
|---|----------|-------------|-------------------------------|---------------------------------------|-------|-----------------------------|--------------------|------------------------------|---|------------------------|--|
| REWORK B | REVISION | DESCRIPTION | QUALITY SYMBOLS ▽=0 ◇=0 | GENERAL TOLERANCES (UNLESS SPECIFIED) | | DIMENSION STYLE IN/MM | | SCALE 4:1 | DESIGN UNITS METRIC | THIRD ANGLE PROJECTION | |
| | | | | 4 PLACES | ±--- | ±--- | DRAWN BY RSTONE | DATE 2016/04/19 | TITLE EURO TERMINAL BLOCK 5.00MM (.197) PITCH PC MOUNT, VERTICAL | | |
| | | | | 3 PLACES | ±--- | ±.005 | CHECKED BY | DATE | MOLEX INCORPORATED | | |
| | | | | 2 PLACES | ±0.13 | ±.02 | APPROVED BY | DATE | MATERIAL NO. SEE SHEET 2 | | |
| | | | | 1 PLACE | ±0.5 | ±--- | BRUPERT | 2016/05/05 | DOCUMENT NO. SD-39543-003 | | |
| DRAFT WHERE APPLICABLE MUST REMAIN WITHIN DIMENSIONS | | | | ANGULAR ±2° | | MATERIAL NO. SEE SHEET 2 | | DOCUMENT NO. SD-39543-003 | | SHEET NO. 1 OF 2 | |
| THIS DRAWING CONTAINS INFORMATION THAT IS PROPRIETARY TO MOLEX INCORPORATED AND SHOULD NOT BE USED WITHOUT WRITTEN PERMISSION | | | | | | | | | | | |

| CIRCUITS | MATERIAL NUMBERS MOLDED TO LENGTH | | | | | | DIMENSIONS | | | |
|----------|-----------------------------------|-----------|-----------|------------------|-----------|-----------|------------|-------|---------|--------|
| | BLACK | | | GREEN | | | | | | |
| | PRINTING OPTIONS | | | PRINTING OPTIONS | | | A IN mm | | B IN mm | |
| | NDNE | 10A | 11A | NDNE | 10A | 11A | | | | |
| 2 | 395430002 | 395431002 | 395432002 | 395930002 | 395931002 | 395932002 | .39 | 10.0 | .197 | 5.00 |
| 3 | 395430003 | 395431003 | 395432003 | 395930003 | 395931003 | 395932003 | .59 | 15.0 | .394 | 10.00 |
| 4 | 395430004 | 395431004 | 395432004 | 395930004 | 395931004 | 395932004 | .79 | 20.0 | .591 | 15.00 |
| 5 | 395430005 | 395431005 | 395432005 | 395930005 | 395931005 | 395932005 | .98 | 25.0 | .787 | 20.00 |
| 6 | 395430006 | 395431006 | 395432006 | 395930006 | 395931006 | 395932006 | 1.18 | 30.0 | .984 | 25.00 |
| 7 | 395430007 | 395431007 | 395432007 | 395930007 | 395931007 | 395932007 | 1.38 | 35.0 | 1.181 | 30.00 |
| 8 | 395430008 | 395431008 | 395432008 | 395930008 | 395931008 | 395932008 | 1.57 | 40.0 | 1.378 | 35.00 |
| 9 | 395430009 | 395431009 | 395432009 | 395930009 | 395931009 | 395932009 | 1.77 | 45.0 | 1.575 | 40.00 |
| 10 | 395430010 | 395431010 | 395432010 | 395930010 | 395931010 | 395932010 | 1.97 | 50.0 | 1.772 | 45.00 |
| 11 | 395430011 | 395431011 | 395432011 | 395930011 | 395931011 | 395932011 | 2.17 | 55.0 | 1.969 | 50.00 |
| 12 | 395430012 | 395431012 | 395432012 | 395930012 | 395931012 | 395932012 | 2.36 | 60.0 | 2.165 | 55.00 |
| 13 | 395430013 | 395431013 | 395432013 | 395930013 | 395931013 | 395932013 | 2.56 | 65.0 | 2.362 | 60.00 |
| 14 | 395430014 | 395431014 | 395432014 | 395930014 | 395931014 | 395932014 | 2.76 | 70.0 | 2.559 | 65.00 |
| 15 | 395430015 | 395431015 | 395432015 | 395930015 | 395931015 | 395932015 | 2.95 | 75.0 | 2.756 | 70.00 |
| 16 | 395430016 | 395431016 | 395432016 | 395930016 | 395931016 | 395932016 | 3.15 | 80.0 | 2.953 | 75.00 |
| 17 | 395430017 | 395431017 | 395432017 | 395930017 | 395931017 | 395932017 | 3.35 | 85.0 | 3.150 | 80.00 |
| 18 | 395430018 | 395431018 | 395432018 | 395930018 | 395931018 | 395932018 | 3.54 | 90.0 | 3.346 | 85.00 |
| 19 | 395430019 | 395431019 | 395432019 | 395930019 | 395931019 | 395932019 | 3.74 | 95.0 | 3.543 | 90.00 |
| 20 | 395430020 | 395431020 | 395432020 | 395930020 | 395931020 | 395932020 | 3.94 | 100.0 | 3.740 | 95.00 |
| 21 | 395430021 | 395431021 | 395432021 | 395930021 | 395931021 | 395932021 | 4.13 | 105.0 | 3.937 | 100.00 |
| 22 | 395430022 | 395431022 | 395432022 | 395930022 | 395931022 | 395932022 | 4.33 | 110.0 | 4.134 | 105.00 |
| 23 | 395430023 | 395431023 | 395432023 | 395930023 | 395931023 | 395932023 | 4.53 | 115.0 | 4.331 | 110.00 |
| 24 | 395430024 | 395431024 | 395432024 | 395930024 | 395931024 | 395932024 | 4.72 | 120.0 | 4.528 | 115.00 |



REF. 10A PRINT OPT.



REF. 11A PRINT OPT.

| SEE SHEET 1 EC NO. IFC/2016-1417 DRAWN: RSTONE 2016/04/19 CHKD: CHYD APPR: BRUPERT 2016/05/05 REV: B | QUALITY SYMBOLS ▽=0 ∇=0 | GENERAL TOLERANCES (UNLESS SPECIFIED) <table border="1"> <tr><th></th><th>mm</th><th>INCH</th></tr> <tr><td>4 PLACES</td><td>±---</td><td>±---</td></tr> <tr><td>3 PLACES</td><td>±---</td><td>±.005</td></tr> <tr><td>2 PLACES</td><td>±0.13</td><td>±.02</td></tr> <tr><td>1 PLACE</td><td>±0.5</td><td>±---</td></tr> </table> | | mm | INCH | 4 PLACES | ±--- | ±--- | 3 PLACES | ±--- | ±.005 | 2 PLACES | ±0.13 | ±.02 | 1 PLACE | ±0.5 | ±--- | DIMENSION STYLE IN/MM DRAWN BY: RSTONE DATE: 2016/04/19 CHECKED BY: --- DATE: --- APPROVED BY: BRUPERT DATE: 2016/05/05 MATERIAL NO.: --- DOCUMENT NO.: --- | SCALE: 4:1 DESIGN UNITS: METRIC THIRD ANGLE PROJECTION | TITLE: EURO TERMINAL BLOCK 5.00MM (.197) PITCH PC MOUNT, VERTICAL MOLEX INCORPORATED SD-39543-003 SHEET NO. 2 OF 2 |
|---|-------------------------------|--|---|----|------|----------|------|------|----------|------|-------|----------|-------|------|---------|------|------|--|--|---|
| | | mm | INCH | | | | | | | | | | | | | | | | | |
| | 4 PLACES | ±--- | ±--- | | | | | | | | | | | | | | | | | |
| | 3 PLACES | ±--- | ±.005 | | | | | | | | | | | | | | | | | |
| 2 PLACES | ±0.13 | ±.02 | | | | | | | | | | | | | | | | | | |
| 1 PLACE | ±0.5 | ±--- | | | | | | | | | | | | | | | | | | |
| DRAFT WHERE APPLICABLE MUST REMAIN WITHIN DIMENSIONS | | SEE TABLE | | | | | | | | | | | | | | | | | | |
| | | SIZE B | THIS DRAWING CONTAINS INFORMATION THAT IS PROPRIETARY TO MOLEX INCORPORATED AND SHOULD NOT BE USED WITHOUT WRITTEN PERMISSION | | | | | | | | | | | | | | | | | |
| | | | | | | | | | | | | | | | | | | | | |

10 9 8 7 6 5 4 3 2 1

| Description | Circuit size | Material Numbers | | | | | | Dimensional Information | | | |
|---------------------------------------|--------------|------------------|-----------|------------------|-----------|-----------|-----------|-------------------------|-------|--------|-------|
| | | Black | | | Green | | | Dim. A | Dim B | | |
| | | 100% Tin | | | | | | | | | |
| Printing Options | | Printing Options | | Printing Options | | mm | inch | mm | inch | | |
| None | | 10A | 11A | None | 10A | 11A | | | | | |
| 5.0mm, Euro Block, PC Mount, Vertical | 2 | 395430002 | 395431002 | 395432002 | 395930002 | 395931002 | 395932002 | 10.00 | 0.394 | 5.00 | 0.197 |
| 5.0mm, Euro Block, PC Mount, Vertical | 3 | 395430003 | 395431003 | 395432003 | 395930003 | 395931003 | 395932003 | 15.00 | 0.591 | 10.00 | 0.394 |
| 5.0mm, Euro Block, PC Mount, Vertical | 4 | 395430004 | 395431004 | 395432004 | 395930004 | 395931004 | 395932004 | 20.00 | 0.787 | 15.00 | 0.591 |
| 5.0mm, Euro Block, PC Mount, Vertical | 5 | 395430005 | 395431005 | 395432005 | 395930005 | 395931005 | 395932005 | 25.00 | 0.984 | 20.00 | 0.787 |
| 5.0mm, Euro Block, PC Mount, Vertical | 6 | 395430006 | 395431006 | 395432006 | 395930006 | 395931006 | 395932006 | 30.00 | 1.181 | 25.00 | 0.984 |
| 5.0mm, Euro Block, PC Mount, Vertical | 7 | 395430007 | 395431007 | 395432007 | 395930007 | 395931007 | 395932007 | 35.00 | 1.378 | 30.00 | 1.181 |
| 5.0mm, Euro Block, PC Mount, Vertical | 8 | 395430008 | 395431008 | 395432008 | 395930008 | 395931008 | 395932008 | 40.00 | 1.575 | 35.00 | 1.378 |
| 5.0mm, Euro Block, PC Mount, Vertical | 9 | 395430009 | 395431009 | 395432009 | 395930009 | 395931009 | 395932009 | 45.00 | 1.772 | 40.00 | 1.575 |
| 5.0mm, Euro Block, PC Mount, Vertical | 10 | 395430010 | 395431010 | 395432010 | 395930010 | 395931010 | 395932010 | 50.00 | 1.969 | 45.00 | 1.772 |
| 5.0mm, Euro Block, PC Mount, Vertical | 11 | 395430011 | 395431011 | 395432011 | 395930011 | 395931011 | 395932011 | 55.00 | 2.165 | 50.00 | 1.969 |
| 5.0mm, Euro Block, PC Mount, Vertical | 12 | 395430012 | 395431012 | 395432012 | 395930012 | 395931012 | 395932012 | 60.00 | 2.362 | 55.00 | 2.165 |
| 5.0mm, Euro Block, PC Mount, Vertical | 13 | 395430013 | 395431013 | 395432013 | 395930013 | 395931013 | 395932013 | 65.00 | 2.559 | 60.00 | 2.362 |
| 5.0mm, Euro Block, PC Mount, Vertical | 14 | 395430014 | 395431014 | 395432014 | 395930014 | 395931014 | 395932014 | 70.00 | 2.756 | 65.00 | 2.559 |
| 5.0mm, Euro Block, PC Mount, Vertical | 15 | 395430015 | 395431015 | 395432015 | 395930015 | 395931015 | 395932015 | 75.00 | 2.953 | 70.00 | 2.756 |
| 5.0mm, Euro Block, PC Mount, Vertical | 16 | 395430016 | 395431016 | 395432016 | 395930016 | 395931016 | 395932016 | 80.00 | 3.150 | 75.00 | 2.953 |
| 5.0mm, Euro Block, PC Mount, Vertical | 17 | 395430017 | 395431017 | 395432017 | 395930017 | 395931017 | 395932017 | 85.00 | 3.346 | 80.00 | 3.150 |
| 5.0mm, Euro Block, PC Mount, Vertical | 18 | 395430018 | 395431018 | 395432018 | 395930018 | 395931018 | 395932018 | 90.00 | 3.543 | 85.00 | 3.346 |
| 5.0mm, Euro Block, PC Mount, Vertical | 19 | 395430019 | 395431019 | 395432019 | 395930019 | 395931019 | 395932019 | 95.00 | 3.740 | 90.00 | 3.543 |
| 5.0mm, Euro Block, PC Mount, Vertical | 20 | 395430020 | 395431020 | 395432020 | 395930020 | 395931020 | 395932020 | 100.00 | 3.937 | 95.00 | 3.740 |
| 5.0mm, Euro Block, PC Mount, Vertical | 21 | 395430021 | 395431021 | 395432021 | 395930021 | 395931021 | 395932021 | 105.00 | 4.134 | 100.00 | 3.937 |
| 5.0mm, Euro Block, PC Mount, Vertical | 22 | 395430022 | 395431022 | 395432022 | 395930022 | 395931022 | 395932022 | 110.00 | 4.331 | 105.00 | 4.134 |
| 5.0mm, Euro Block, PC Mount, Vertical | 23 | 395430023 | 395431023 | 395432023 | 395930023 | 395931023 | 395932023 | 115.00 | 4.528 | 110.00 | 4.331 |
| 5.0mm, Euro Block, PC Mount, Vertical | 24 | 395430024 | 395431024 | 395432024 | 395930024 | 395931024 | 395932024 | 120.00 | 4.724 | 115.00 | 4.528 |

| | | | | | | | | |
|--|-------------------------------|--|---------|---------------------------|---|--------------|------------------------|--|
| SEE PAGE 1 IEC NO: NEO2006-0310 DRAWN BY: LROTHAUS CHECKED BY: C. YORK APPR: JFAMILK 2006/01/08 2006/01/08 2006/01/10 | QUALITY SYMBOLS ▽=0 ▽=0 | GENERAL TOLERANCES (UNLESS SPECIFIED) | | DIMENSION STYLE | SCALE | DESIGN UNITS | THIRD ANGLE PROJECTION | |
| | | mm | INCH | MM/IN | 4:1 | INCH | | |
| | | 4 PLACES ± --- | ± .0015 | | | | | |
| | | 3 PLACES ± 0.038 | ± .005 | | | | | |
| 2 PLACES ± 0.13 | ± .01 | | | | | | | |
| 1 PLACE ± 0.3 | ± --- | | | | | | | |
| ANGULAR ± 2° | | | | | | | | |
| DRAFT WHERE APPLICABLE MUST REMAIN WITHIN DIMENSIONS | | DRAWN BY: LROTHAUS CHECKED BY: C. YORK APPROVED BY: DATE | | DATE: 12/16/05 | TITLE: 5.0MM, EURO TERM. BLOCK PC MOUNT, VERTICAL | | | |
| | | MATERIAL NO. SEE CHART | | DOCUMENT NO. SD-39543-003 | SHEET NO. 2 OF 2 | | | |
| THIS DRAWING CONTAINS INFORMATION THAT IS PROPRIETARY TO MOLEX INCORPORATED AND SHOULD NOT BE USED WITHOUT WRITTEN PERMISSION | | | | | | | | |

9 8 7 6 5 4 3 2 1