

Excellent Integrated System Limited

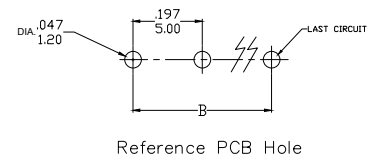
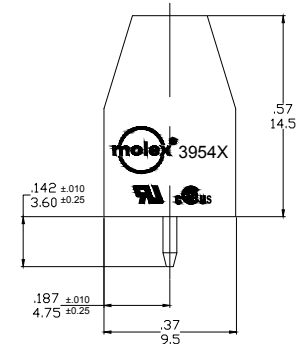
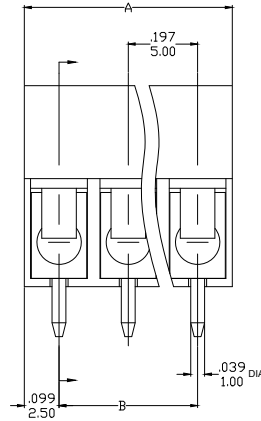
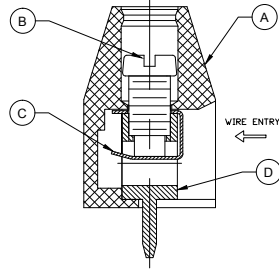
Stocking Distributor

Click to view price, real time Inventory, Delivery & Lifecycle Information:

[Molex Connector Corporation](#)
[0395930017](#)

For any questions, you can email us directly:

sales@integrated-circuit.com



SPECIFICATIONS

1. Material:

- A. Body: Nylon (PA66), UL94 V-0, color: see sheet 2
- B. Screw: Steel, M3.0, Zinc plated
- C. Contact: Brass, Nickel plated
- D. Terminal block: Brass, Tin Plated

2. Wire Rating: 24-14 AWG

3. Electrical rating: 300V, 15A

4. Power-Frequency withstand: AC 2500V/1min

5. Insulation resistance: DC500V 500MΩ or above

6. Rated impulse voltage: 4000V/minus and plus 5 times each.

7. Wire strip length: .28 (7.0mm.)

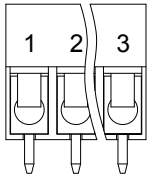
8. Screw Torque (max): 3.0 lbf.in (0.34 N.m).

9. Operating temperature: -40°to+105° C

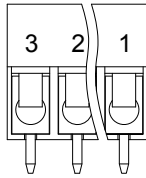
10. Number of circuits: 2 to 24, see sheet 2

REDRAWN WAS ME10 DOC EC NO. IFC2016-1417 DRAWN-RSTONE 2016/04/19 CHECKD-CHYD APPR-BRUPERT 2016/05/05 REV B	QUALITY SYMBOLS	GENERAL TOLERANCES (UNLESS SPECIFIED)	DIMENSION STYLE IN/MM	SCALE 4:1	DESIGN UNITS METRIC	THIRD ANGLE PROJECTION														
	▽=0 ∇=0	<table border="1"> <thead> <tr> <th></th> <th>mm</th> <th>INCH</th> </tr> </thead> <tbody> <tr> <td>4 PLACES</td> <td>±---</td> <td>±---</td> </tr> <tr> <td>3 PLACES</td> <td>±---</td> <td>±.005</td> </tr> <tr> <td>2 PLACES</td> <td>±0.13</td> <td>±.02</td> </tr> <tr> <td>1 PLACE</td> <td>±0.5</td> <td>±---</td> </tr> </tbody> </table> ANGULAR ±2°		mm	INCH	4 PLACES	±---	±---	3 PLACES	±---	±.005	2 PLACES	±0.13	±.02	1 PLACE	±0.5	±---	DRAWN BY RSTONE DATE 2016/04/19 CHECKED BY --- DATE --- APPROVED BY BRUPERT DATE 2016/05/05 MATERIAL NO. SEE SHEET 2 DOCUMENT NO. SD-39543-003	TITLE	EURO TERMINAL BLOCK 5.00MM (.197) PITCH PC MOUNT, VERTICAL MOLEX INCORPORATED SHEET NO. 1 OF 2
		mm	INCH																	
	4 PLACES	±---	±---																	
3 PLACES	±---	±.005																		
2 PLACES	±0.13	±.02																		
1 PLACE	±0.5	±---																		
DRAFT WHERE APPLICABLE MUST REMAIN WITHIN DIMENSIONS		THIS DRAWING CONTAINS INFORMATION THAT IS PROPRIETARY TO MOLEX INCORPORATED AND SHOULD NOT BE USED WITHOUT WRITTEN PERMISSION																		

CIRCUITS	MATERIAL NUMBERS MOLDED TO LENGTH						DIMENSIONS			
	BLACK			GREEN						
	PRINTING OPTIONS			PRINTING OPTIONS			A IN mm		B IN mm	
	NDNE	10A	11A	NDNE	10A	11A				
2	395430002	395431002	395432002	395930002	395931002	395932002	.39	10.0	.197	5.00
3	395430003	395431003	395432003	395930003	395931003	395932003	.59	15.0	.394	10.00
4	395430004	395431004	395432004	395930004	395931004	395932004	.79	20.0	.591	15.00
5	395430005	395431005	395432005	395930005	395931005	395932005	.98	25.0	.787	20.00
6	395430006	395431006	395432006	395930006	395931006	395932006	1.18	30.0	.984	25.00
7	395430007	395431007	395432007	395930007	395931007	395932007	1.38	35.0	1.181	30.00
8	395430008	395431008	395432008	395930008	395931008	395932008	1.57	40.0	1.378	35.00
9	395430009	395431009	395432009	395930009	395931009	395932009	1.77	45.0	1.575	40.00
10	395430010	395431010	395432010	395930010	395931010	395932010	1.97	50.0	1.772	45.00
11	395430011	395431011	395432011	395930011	395931011	395932011	2.17	55.0	1.969	50.00
12	395430012	395431012	395432012	395930012	395931012	395932012	2.36	60.0	2.165	55.00
13	395430013	395431013	395432013	395930013	395931013	395932013	2.56	65.0	2.362	60.00
14	395430014	395431014	395432014	395930014	395931014	395932014	2.76	70.0	2.559	65.00
15	395430015	395431015	395432015	395930015	395931015	395932015	2.95	75.0	2.756	70.00
16	395430016	395431016	395432016	395930016	395931016	395932016	3.15	80.0	2.953	75.00
17	395430017	395431017	395432017	395930017	395931017	395932017	3.35	85.0	3.150	80.00
18	395430018	395431018	395432018	395930018	395931018	395932018	3.54	90.0	3.346	85.00
19	395430019	395431019	395432019	395930019	395931019	395932019	3.74	95.0	3.543	90.00
20	395430020	395431020	395432020	395930020	395931020	395932020	3.94	100.0	3.740	95.00
21	395430021	395431021	395432021	395930021	395931021	395932021	4.13	105.0	3.937	100.00
22	395430022	395431022	395432022	395930022	395931022	395932022	4.33	110.0	4.134	105.00
23	395430023	395431023	395432023	395930023	395931023	395932023	4.53	115.0	4.331	110.00
24	395430024	395431024	395432024	395930024	395931024	395932024	4.72	120.0	4.528	115.00



REF. 10A PRINT OPT.



REF. 11A PRINT OPT.

SEE SHEET 1 EC NO. IFC/2016-1417 DRAWN: RSTONE 2016/04/19 CHKD: CHYD APPR: BRUPERT 2016/05/05 REV: B	QUALITY SYMBOLS ▽=0 ∇=0	GENERAL TOLERANCES (UNLESS SPECIFIED) <table border="1"> <tr><th></th><th>mm</th><th>INCH</th></tr> <tr><td>4 PLACES</td><td>±---</td><td>±---</td></tr> <tr><td>3 PLACES</td><td>±---</td><td>±.005</td></tr> <tr><td>2 PLACES</td><td>±0.13</td><td>±.02</td></tr> <tr><td>1 PLACE</td><td>±0.5</td><td>±---</td></tr> </table>		mm	INCH	4 PLACES	±---	±---	3 PLACES	±---	±.005	2 PLACES	±0.13	±.02	1 PLACE	±0.5	±---	DIMENSION STYLE IN/MM DRAWN BY: RSTONE DATE: 2016/04/19 CHECKED BY: DATE: --- APPROVED BY: BRUPERT DATE: 2016/05/05 MATERIAL NO.: SEE TABLE DOCUMENT NO.: SD-39543-003	SCALE: 4:1 DESIGN UNITS: METRIC THIRD ANGLE PROJECTION	TITLE: EURO TERMINAL BLOCK 5.00MM (.197) PITCH PC MOUNT, VERTICAL MOLEX INCORPORATED SHEET NO. 2 OF 2
		mm	INCH																	
	4 PLACES	±---	±---																	
	3 PLACES	±---	±.005																	
2 PLACES	±0.13	±.02																		
1 PLACE	±0.5	±---																		
DRAFT WHERE APPLICABLE MUST REMAIN WITHIN DIMENSIONS		SEE TABLE	MOLEX	MOLEX INCORPORATED	SHEET NO. 2 OF 2															
THIS DRAWING CONTAINS INFORMATION THAT IS PROPRIETARY TO MOLEX INCORPORATED AND SHOULD NOT BE USED WITHOUT WRITTEN PERMISSION																				
SIZE B																				

10 9 8 7 6 5 4 3 2 1

Description	Circuit size	Material Numbers						Dimensional Information	
		Black			Green			Dim. A	Dim B
		100% Tin							
Printing Options			Printing Options			mm	inch		
		None	10A	11A	None	10A	11A	mm	inch
5.0mm, Euro Block, PC Mount, Vertical	2	395430002	395431002	395432002	395930002	395931002	395932002	10.00	0.394 5.00 0.197
5.0mm, Euro Block, PC Mount, Vertical	3	395430003	395431003	395432003	395930003	395931003	395932003	15.00	0.591 10.00 0.394
5.0mm, Euro Block, PC Mount, Vertical	4	395430004	395431004	395432004	395930004	395931004	395932004	20.00	0.787 15.00 0.591
5.0mm, Euro Block, PC Mount, Vertical	5	395430005	395431005	395432005	395930005	395931005	395932005	25.00	0.984 20.00 0.787
5.0mm, Euro Block, PC Mount, Vertical	6	395430006	395431006	395432006	395930006	395931006	395932006	30.00	1.181 25.00 0.984
5.0mm, Euro Block, PC Mount, Vertical	7	395430007	395431007	395432007	395930007	395931007	395932007	35.00	1.378 30.00 1.181
5.0mm, Euro Block, PC Mount, Vertical	8	395430008	395431008	395432008	395930008	395931008	395932008	40.00	1.575 35.00 1.378
5.0mm, Euro Block, PC Mount, Vertical	9	395430009	395431009	395432009	395930009	395931009	395932009	45.00	1.772 40.00 1.575
5.0mm, Euro Block, PC Mount, Vertical	10	395430010	395431010	395432010	395930010	395931010	395932010	50.00	1.969 45.00 1.772
5.0mm, Euro Block, PC Mount, Vertical	11	395430011	395431011	395432011	395930011	395931011	395932011	55.00	2.165 50.00 1.969
5.0mm, Euro Block, PC Mount, Vertical	12	395430012	395431012	395432012	395930012	395931012	395932012	60.00	2.362 55.00 2.165
5.0mm, Euro Block, PC Mount, Vertical	13	395430013	395431013	395432013	395930013	395931013	395932013	65.00	2.559 60.00 2.362
5.0mm, Euro Block, PC Mount, Vertical	14	395430014	395431014	395432014	395930014	395931014	395932014	70.00	2.756 65.00 2.559
5.0mm, Euro Block, PC Mount, Vertical	15	395430015	395431015	395432015	395930015	395931015	395932015	75.00	2.953 70.00 2.756
5.0mm, Euro Block, PC Mount, Vertical	16	395430016	395431016	395432016	395930016	395931016	395932016	80.00	3.150 75.00 2.953
5.0mm, Euro Block, PC Mount, Vertical	17	395430017	395431017	395432017	395930017	395931017	395932017	85.00	3.346 80.00 3.150
5.0mm, Euro Block, PC Mount, Vertical	18	395430018	395431018	395432018	395930018	395931018	395932018	90.00	3.543 85.00 3.346
5.0mm, Euro Block, PC Mount, Vertical	19	395430019	395431019	395432019	395930019	395931019	395932019	95.00	3.740 90.00 3.543
5.0mm, Euro Block, PC Mount, Vertical	20	395430020	395431020	395432020	395930020	395931020	395932020	100.00	3.937 95.00 3.740
5.0mm, Euro Block, PC Mount, Vertical	21	395430021	395431021	395432021	395930021	395931021	395932021	105.00	4.134 100.00 3.937
5.0mm, Euro Block, PC Mount, Vertical	22	395430022	395431022	395432022	395930022	395931022	395932022	110.00	4.331 105.00 4.134
5.0mm, Euro Block, PC Mount, Vertical	23	395430023	395431023	395432023	395930023	395931023	395932023	115.00	4.528 110.00 4.331
5.0mm, Euro Block, PC Mount, Vertical	24	395430024	395431024	395432024	395930024	395931024	395932024	120.00	4.724 115.00 4.528

SEE PAGE 1 IEC NO: NEO2006-0310 DRAWN BY: LROTHAUS CHKD BY: YORK APPR: JIPAWLCK 2006/01/08 2006/01/08 2006/01/10	QUALITY SYMBOLS ▽=0 ▽=0	GENERAL TOLERANCES (UNLESS SPECIFIED)		DIMENSION STYLE MM/IN	SCALE 4:1	DESIGN UNITS INCH	THIRD ANGLE PROJECTION
		4 PLACES ± --- ± .0015 3 PLACES ± 0.038 ± .005 2 PLACES ± 0.13 ± .01 1 PLACE ± 0.3 ± ---	mm INCH ± --- ± .0015 ± 0.038 ± .005 ± 0.13 ± .01 ± 0.3 ± ---	DRAWN BY LROTHAUS CHECKED BY C. YORK APPROVED BY DATE	DATE 12/16/05	TITLE 5.0MM, EURO TERM. BLOCK PC MOUNT, VERTICAL	
DRAFT WHERE APPLICABLE MUST REMAIN WITHIN DIMENSIONS		SEE CHART		MATERIAL NO. SD-39543-003	DOCUMENT NO. SD-39543-003	MOLEX INCORPORATED	
				SIZE B	THIS DRAWING CONTAINS INFORMATION THAT IS PROPRIETARY TO MOLEX INCORPORATED AND SHOULD NOT BE USED WITHOUT WRITTEN PERMISSION		SHEET NO. 2 OF 2

9 8 7 6 5 4 3 2 1