

Excellent Integrated System Limited

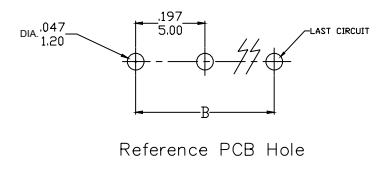
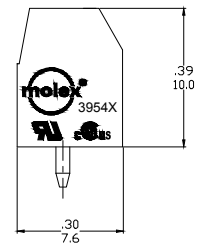
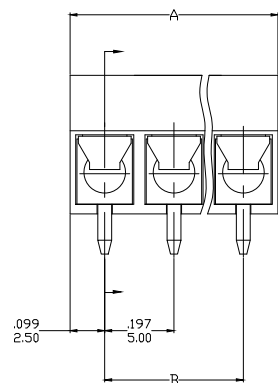
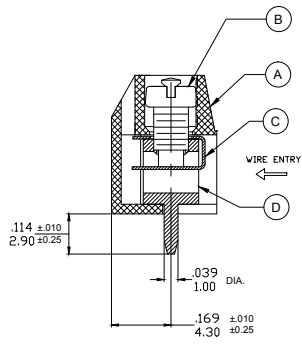
Stocking Distributor

Click to view price, real time Inventory, Delivery & Lifecycle Information:

[Molex Connector Corporation](#)
[0395931624](#)

For any questions, you can email us directly:

sales@integrated-circuit.com

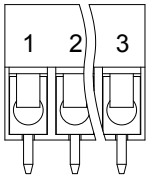


SPECIFICATIONS

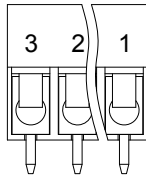
1. Material:
 - A. Body: Nylon (PA66), UL94 V-0, color: see sheet 2
 - B. Screw: Steel, M2.5, Zinc plated
 - C. Contact: Brass, Nickel plated
 - D. Terminal block: Brass, Tin Plated
2. Wire Rating: 22-14 AWG
3. Electrical rating: 300V, 10A
4. Power-Frequency withstand: AC 2500V/1min
5. Insulation resistance: DC500V 500MΩ or above
6. Rated impulse voltage: 4000V/minus and plus 5 times each.
7. Wire strip length: .28 (7.0mm.)
8. Screw Torque (max): 3.0 lbf.in(or 0.34 N.m).
9. Operating temperature: -40°to+105° C
10. Number of circuits: 2 to 24, see sheet 2

REDRAWN WAS ME10 DOC EC NO. JPCG2016-1417 DRAWN: RSTONE 2016/04/19 CHYD: --- APPR: BRUPERT 2016/05/05 REV: B	QUALITY SYMBOLS	GENERAL TOLERANCES (UNLESS SPECIFIED)	DIMENSION STYLE IN/MM	SCALE 4:1	DESIGN UNITS METRIC	THIRD ANGLE PROJECTION																			
	▽=0 □=0	<table border="1"> <tr><th colspan="2">mm</th><th colspan="2">INCH</th></tr> <tr><td>4 PLACES</td><td>±---</td><td>±---</td><td>±---</td></tr> <tr><td>3 PLACES</td><td>±---</td><td>±.005</td><td>±---</td></tr> <tr><td>2 PLACES</td><td>±0.13</td><td>±.02</td><td>---</td></tr> <tr><td>1 PLACE</td><td>±0.5</td><td>±---</td><td>---</td></tr> </table> ANGULAR ±2°	mm		INCH		4 PLACES	±---	±---	±---	3 PLACES	±---	±.005	±---	2 PLACES	±0.13	±.02	---	1 PLACE	±0.5	±---	---	DRAWN BY RSTONE DATE 2016/04/19 CHECKED BY --- DATE --- APPROVED BY BRUPERT DATE 2016/05/05	TITLE	MOLEX INCORPORATED
	mm		INCH																						
	4 PLACES	±---	±---	±---																					
3 PLACES	±---	±.005	±---																						
2 PLACES	±0.13	±.02	---																						
1 PLACE	±0.5	±---	---																						
DRAFT WHERE APPLICABLE MUST REMAIN WITHIN DIMENSIONS		MATERIAL NO. SEE SHEET 2	DOCUMENT NO. SD-39543-004	SHEET NO. 1 OF 2																					
SIZE B THIS DRAWING CONTAINS INFORMATION THAT IS PROPRIETARY TO MOLEX INCORPORATED AND SHOULD NOT BE USED WITHOUT WRITTEN PERMISSION																									

CIRCUITS	MATERIAL NUMBERS MOLDED TO LENGTH						DIMENSIONS			
	BLACK			GREEN						
	PRINTING OPTIONS			PRINTING OPTIONS			A IN mm		B IN mm	
	NDNE	10A	11A	NDNE	10A	11A				
2	395430602	395431602	395432602	395930602	395931602	395932602	.39	10.0	.197	5.00
3	395430603	395431603	395432603	395930603	395931603	395932603	.59	15.0	.394	10.00
4	395430604	395431604	395432604	395930604	395931604	395932604	.79	20.0	.591	15.00
5	395430605	395431605	395432605	395930605	395931605	395932605	.98	25.0	.787	20.00
6	395430606	395431606	395432606	395930606	395931606	395932606	1.18	30.0	.984	25.00
7	395430607	395431607	395432607	395930607	395931607	395932607	1.38	35.0	1.181	30.00
8	395430608	395431608	395432608	395930608	395931608	395932608	1.57	40.0	1.378	35.00
9	395430609	395431609	395432609	395930609	395931609	395932609	1.77	45.0	1.575	40.00
10	395430610	395431610	395432610	395930610	395931610	395932610	1.97	50.0	1.772	45.00
11	395430611	395431611	395432611	395930611	395931611	395932611	2.17	55.0	1.969	50.00
12	395430612	395431612	395432612	395930612	395931612	395932612	2.36	60.0	2.165	55.00
13	395430613	395431613	395432613	395930613	395931613	395932613	2.56	65.0	2.362	60.00
14	395430614	395431614	395432614	395930614	395931614	395932614	2.76	70.0	2.559	65.00
15	395430615	395431615	395432615	395930615	395931615	395932615	2.95	75.0	2.756	70.00
16	395430616	395431616	395432616	395930616	395931616	395932616	3.15	80.0	2.953	75.00
17	395430617	395431617	395432617	395930617	395931617	395932617	3.35	85.0	3.150	80.00
18	395430618	395431618	395432618	395930618	395931618	395932618	3.54	90.0	3.346	85.00
19	395430619	395431619	395432619	395930619	395931619	395932619	3.74	95.0	3.543	90.00
20	395430620	395431620	395432620	395930620	395931620	395932620	3.94	100.0	3.740	95.00
21	395430621	395431621	395432621	395930621	395931621	395932621	4.13	105.0	3.937	100.00
22	395430622	395431622	395432622	395930622	395931622	395932622	4.33	110.0	4.134	105.00
23	395430623	395431623	395432623	395930623	395931623	395932623	4.53	115.0	4.331	110.00
24	395430624	395431624	395432624	395930624	395931624	395932624	4.72	120.0	4.528	115.00



REF. 10A PRINT OPT.



REF. 11A PRINT OPT.

SEE SHEET 1 EC NO. IFC/2016-1417 DRAWN: RSTONE 2016/04/19 CHYD APPR: BRUPERT 2016/05/05 REV: B	QUALITY SYMBOLS ▽=0 ◻=0	GENERAL TOLERANCES (UNLESS SPECIFIED) <table border="1"> <tr><td>4 PLACES</td><td>±---</td><td>±---</td></tr> <tr><td>3 PLACES</td><td>±---</td><td>±.005</td></tr> <tr><td>2 PLACES</td><td>±0.13</td><td>±.02</td></tr> <tr><td>1 PLACE</td><td>±0.5</td><td>±---</td></tr> </table>	4 PLACES	±---	±---	3 PLACES	±---	±.005	2 PLACES	±0.13	±.02	1 PLACE	±0.5	±---	DIMENSION STYLE IN/MM	SCALE 4:1	DESIGN UNITS METRIC	THIRD ANGLE PROJECTION
	4 PLACES	±---	±---															
	3 PLACES	±---	±.005															
	2 PLACES	±0.13	±.02															
1 PLACE	±0.5	±---																
DRAWN BY RSTONE	DATE 2016/04/19	TITLE EURO TERMINAL BLOCK 5.00MM (.197) PITCH PC MOUNT, LOW PROFILE																
CHECKED BY ---	DATE ---	APPROVED BY BRUPERT	DATE 2016/05/05	MOLEX INCORPORATED														
DRAFT WHERE APPLICABLE MUST REMAIN WITHIN DIMENSIONS		MATERIAL NO. SEE TABLE	DOCUMENT NO. SD-39543-004	SHEET NO. 2 OF 2														

10 9 8 7 6 5 4 3 2 1

Description	Circuit size	Material Numbers						Dimensional Information			
		Black			Green			mm	inch		
		100% Tin			100% Tin						
		Printing Options			Printing Options			mm	inch		
None	10A	11A	None	10A	11A						
5.0mm, Euro Block, PC Mount, Vertical, Low Profile	2	395430602	395431602	395432602	395930602	395931602	395932602	10.00	0.394	5.00	0.197
5.0mm, Euro Block, PC Mount, Vertical, Low Profile	3	395430603	395431603	395432603	395930603	395931603	395932603	15.00	0.591	10.00	0.394
5.0mm, Euro Block, PC Mount, Vertical, Low Profile	4	395430604	395431604	395432604	395930604	395931604	395932604	20.00	0.787	15.00	0.591
5.0mm, Euro Block, PC Mount, Vertical, Low Profile	5	395430605	395431605	395432605	395930605	395931605	395932605	25.00	0.984	20.00	0.787
5.0mm, Euro Block, PC Mount, Vertical, Low Profile	6	395430606	395431606	395432606	395930606	395931606	395932606	30.00	1.181	25.00	0.984
5.0mm, Euro Block, PC Mount, Vertical, Low Profile	7	395430607	395431607	395432607	395930607	395931607	395932607	35.00	1.378	30.00	1.181
5.0mm, Euro Block, PC Mount, Vertical, Low Profile	8	395430608	395431608	395432608	395930608	395931608	395932608	40.00	1.575	35.00	1.378
5.0mm, Euro Block, PC Mount, Vertical, Low Profile	9	395430609	395431609	395432609	395930609	395931609	395932609	45.00	1.772	40.00	1.575
5.0mm, Euro Block, PC Mount, Vertical, Low Profile	10	395430610	395431610	395432610	395930610	395931610	395932610	50.00	1.969	45.00	1.772
5.0mm, Euro Block, PC Mount, Vertical, Low Profile	11	395430611	395431611	395432611	395930611	395931611	395932611	55.00	2.165	50.00	1.969
5.0mm, Euro Block, PC Mount, Vertical, Low Profile	12	395430612	395431612	395432612	395930612	395931612	395932612	60.00	2.362	55.00	2.165
5.0mm, Euro Block, PC Mount, Vertical, Low Profile	13	395430613	395431613	395432613	395930613	395931613	395932613	65.00	2.559	60.00	2.362
5.0mm, Euro Block, PC Mount, Vertical, Low Profile	14	395430614	395431614	395432614	395930614	395931614	395932614	70.00	2.756	65.00	2.559
5.0mm, Euro Block, PC Mount, Vertical, Low Profile	15	395430615	395431615	395432615	395930615	395931615	395932615	75.00	2.953	70.00	2.756
5.0mm, Euro Block, PC Mount, Vertical, Low Profile	16	395430616	395431616	395432616	395930616	395931616	395932616	80.00	3.150	75.00	2.953
5.0mm, Euro Block, PC Mount, Vertical, Low Profile	17	395430617	395431617	395432617	395930617	395931617	395932617	85.00	3.346	80.00	3.150
5.0mm, Euro Block, PC Mount, Vertical, Low Profile	18	395430618	395431618	395432618	395930618	395931618	395932618	90.00	3.543	85.00	3.346
5.0mm, Euro Block, PC Mount, Vertical, Low Profile	19	395430619	395431619	395432619	395930619	395931619	395932619	95.00	3.740	90.00	3.543
5.0mm, Euro Block, PC Mount, Vertical, Low Profile	20	395430620	395431620	395432620	395930620	395931620	395932620	100.00	3.937	95.00	3.740
5.0mm, Euro Block, PC Mount, Vertical, Low Profile	21	395430621	395431621	395432621	395930621	395931621	395932621	105.00	4.134	100.00	3.937
5.0mm, Euro Block, PC Mount, Vertical, Low Profile	22	395430622	395431622	395432622	395930622	395931622	395932622	110.00	4.331	105.00	4.134
5.0mm, Euro Block, PC Mount, Vertical, Low Profile	23	395430623	395431623	395432623	395930623	395931623	395932623	115.00	4.528	110.00	4.331
5.0mm, Euro Block, PC Mount, Vertical, Low Profile	24	395430624	395431624	395432624	395930624	395931624	395932624	120.00	4.724	115.00	4.528

SEE PAGE 1 IEC NO: NE02006-0310 DRAFTER: LROTHAUS 2006/01/08 CHECKER: C.YORK 2006/01/08 APPROVER: J.PAWLIK 2006/01/10 REV: A	QUALITY SYMBOLS ▽=0 ▽=0	GENERAL TOLERANCES (UNLESS SPECIFIED)		DIMENSION STYLE	SCALE	DESIGN UNITS	THIRD ANGLE PROJECTION
				MM/IN	4:1	INCH	
				DRAWN BY	DATE	TITLE	
				C. YORK	12/16/05	5.0MM, EURO TERM. BLOCK VERTICAL, PC MOUNT, LOW PROFILE	
		DRAFT WHERE APPLICABLE MUST REMAIN WITHIN DIMENSIONS		CHECKED BY DATE 01/05/06	MOLEX INCORPORATED		
				APPROVED BY DATE	MATERIAL NO. SEE CHART		DOCUMENT NO. SD-39543-004
				SIZE B	THIS DRAWING CONTAINS INFORMATION THAT IS PROPRIETARY TO MOLEX INCORPORATED AND SHOULD NOT BE USED WITHOUT WRITTEN PERMISSION		SHEET NO. 2 OF 2

9 8 7 6 5 4 3 2 1