

## Excellent Integrated System Limited

Stocking Distributor

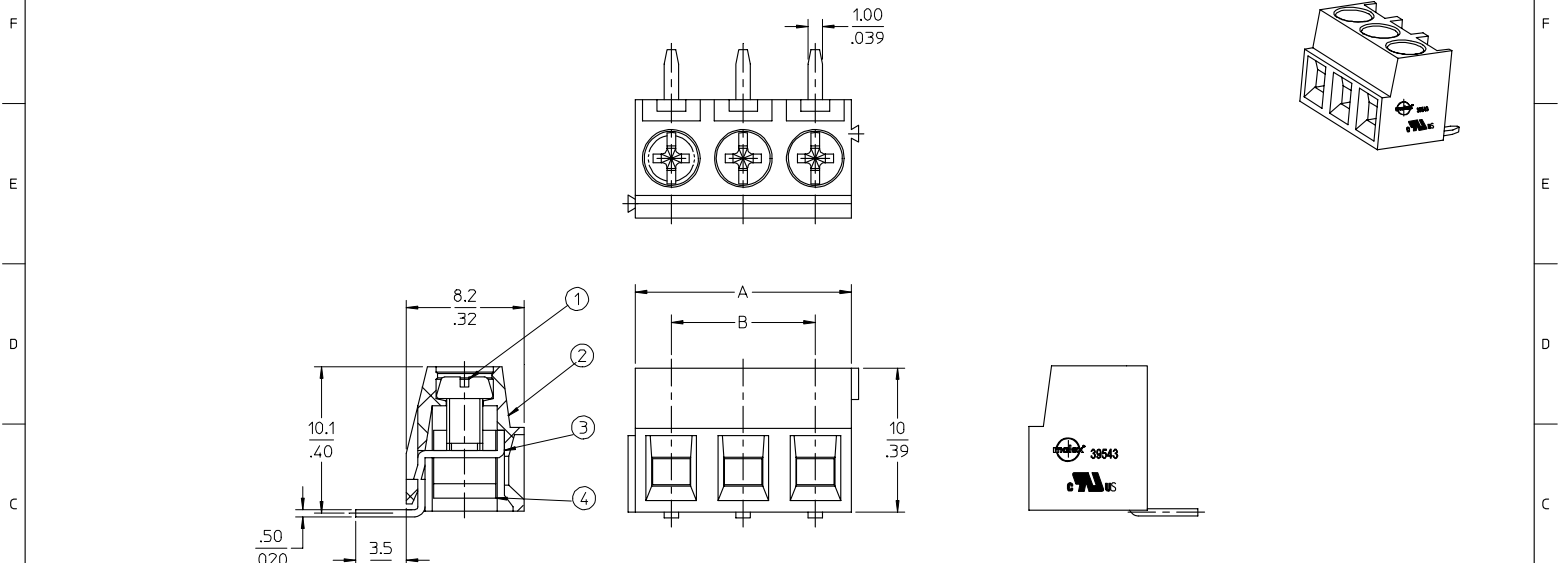
Click to view price, real time Inventory, Delivery & Lifecycle Information:

[Molex Connector Corporation](#)  
[0395937112](#)

For any questions, you can email us directly:

[sales@integrated-circuit.com](mailto:sales@integrated-circuit.com)

10 9 8 7 6 5 4 3 2 1



- NOTES:  
 SPECIFICATIONS:  
 1. Material:  
 (1). Screw: C1010.  
 (2). Body: PA66  
 (3). Terminal: Brass  
 (4). Cage: Brass  
 2. Wire range: 24 - 16AWG.  
 3. Electrical rating: 300V, 10A.  
 4. MAX TORQUE: 3.5 in-lbs.  
 5. Wire strip length: 5.5mm.  
 6. Dielectric withstands: AC2500V for 1 minute.  
 7. Breakdown voltage: 4000v(12/50us), 5 times.  
 8. Insulation resistance: DC500V, 1000M.  
 9. Operating temperature: -40C to +105C.  
 10. A = N x P.  
 11. B = (N - 1) x P  
 12. P = (Pitch) = 5.00MM (197").  
 13. N = Number of positions available 2 through 24.

|   |                               |   |                           |                              |   |                      |                        |
|---|-------------------------------|---|---------------------------|------------------------------|---|----------------------|------------------------|
| ENTER DESCRIPTION<br>EC NO: NE02006-0310<br>DPN: LROTHAUS 2006/01/08<br>CHKD: YORK 2006/01/08<br>APPR: JPAWLICK 2006/01/10<br>A | QUALITY SYMBOLS<br>▽=0<br>▽=0 | GENERAL TOLERANCES (UNLESS SPECIFIED)   |                           | DIMENSION STYLE<br>MM/IN     | SCALE<br>4:1  | DESIGN UNITS<br>INCH | THIRD ANGLE PROJECTION |
|   |                               | 4 PLACES ± --- ± .0015<br>3 PLACES ± 0.038 ± .005<br>2 PLACES ± 0.13 ± .01<br>1 PLACE ± 0.3 ± --- | DRAWN BY<br>LROTHAUS      | DATE<br>12/6/05              | TITLE<br>5.0MM, EURO TERM BLOCK<br>RIGHT ANGLE, PC MOUNT<br>STACKABLE, STAMPED TERM | MOLEX INCORPORATED   |                        |
| DRAFT WHERE APPLICABLE<br>MUST REMAIN<br>WITHIN DIMENSIONS  | APPROVED BY<br>C. YORK        | DATE<br>01/06/06  | MATERIAL NO.<br>SEE CHART | DOCUMENT NO.<br>SD-39543-006 | SHEET NO.<br>1 OF 1   |                      |                        |
| THIS DRAWING CONTAINS INFORMATION THAT IS PROPRIETARY TO MOLEX INCORPORATED AND SHOULD NOT BE USED WITHOUT WRITTEN PERMISSION   |                               |   |                           |                              |   |                      |                        |

ib\_Frame\_B\_P\_AM\_T Rev. D 2004/06/28 9 8 7 6 5 4 3 2 1

10 9 8 7 6 5 4 3 2 1

| Description                              | Circuit Size | Material Numbers Molded to Length |           |           |                  |           |           |                  |           |           | Material Numbers Stackable |           |           |        |       |        | Dimensional Information |  |  |  |
|--|--------------|-----------------------------------|-----------|-----------|------------------|-----------|-----------|------------------|-----------|-----------|----------------------------|-----------|-----------|--------|-------|--------|-------------------------|--|--|--|
|  |              | Black                             |           |           | Green            |           |           | Black            |           |           | Green                      |           |           | Dim. A |       | Dim. B |                         |  |  |  |
|  |              | 100% Tin                          |           |           | 100% Tin         |           |           | 100% Tin         |           |           | 100% Tin                   |           |           | mm     | inch  | mm     | inch                    |  |  |  |
|  |              | Printing Options                  |           |           | Printing Options |           |           | Printing Options |           |           | Printing Options           |           |           |        |       |        |                         |  |  |  |
| None                                     | 10A          | 11A                               | None      | 10A       | 11A              | None      | 10A       | 11A              | None      | 10A       | 11A                        | None      | 10A       | 11A    |       |        |                         |  |  |  |
| 5.0mm, Euro Block, PC Mount, Right Angle | 2            | 395433102                         | 395435102 | 395437102 | 395933102        | 395935102 | 395937102 | 395434502        | 395436502 | 395438502 | 395934502                  | 395936502 | 395938502 | 10.00  | 0.394 | 5.00   | 0.197                   |  |  |  |
| 5.0mm, Euro Block, PC Mount, Right Angle | 3            | 395433103                         | 395435103 | 395437103 | 395933103        | 395935103 | 395937103 | 395434503        | 395436503 | 395438503 | 395934503                  | 395936503 | 395938503 | 15.00  | 0.591 | 10.00  | 0.394                   |  |  |  |
| 5.0mm, Euro Block, PC Mount, Right Angle | 4            | 395433104                         | 395435104 | 395437104 | 395933104        | 395935104 | 395937104 | NA               | NA        | NA        | NA                         | NA        | NA        | 20.00  | 0.787 | 15.00  | 0.591                   |  |  |  |
| 5.0mm, Euro Block, PC Mount, Right Angle | 5            | 395433105                         | 395435105 | 395437105 | 395933105        | 395935105 | 395937105 | NA               | NA        | NA        | NA                         | NA        | NA        | 25.00  | 0.984 | 20.00  | 0.787                   |  |  |  |
| 5.0mm, Euro Block, PC Mount, Right Angle | 6            | 395433106                         | 395435106 | 395437106 | 395933106        | 395935106 | 395937106 | NA               | NA        | NA        | NA                         | NA        | NA        | 30.00  | 1.181 | 25.00  | 0.984                   |  |  |  |
| 5.0mm, Euro Block, PC Mount, Right Angle | 7            | 395433107                         | 395435107 | 395437107 | 395933107        | 395935107 | 395937107 | NA               | NA        | NA        | NA                         | NA        | NA        | 35.00  | 1.378 | 30.00  | 1.181                   |  |  |  |
| 5.0mm, Euro Block, PC Mount, Right Angle | 8            | 395433108                         | 395435108 | 395437108 | 395933108        | 395935108 | 395937108 | NA               | NA        | NA        | NA                         | NA        | NA        | 40.00  | 1.575 | 35.00  | 1.378                   |  |  |  |
| 5.0mm, Euro Block, PC Mount, Right Angle | 9            | 395433109                         | 395435109 | 395437109 | 395933109        | 395935109 | 395937109 | NA               | NA        | NA        | NA                         | NA        | NA        | 45.00  | 1.772 | 40.00  | 1.575                   |  |  |  |
| 5.0mm, Euro Block, PC Mount, Right Angle | 10           | 395433110                         | 395435110 | 395437110 | 395933110        | 395935110 | 395937110 | NA               | NA        | NA        | NA                         | NA        | NA        | 50.00  | 1.969 | 45.00  | 1.772                   |  |  |  |
| 5.0mm, Euro Block, PC Mount, Right Angle | 11           | 395433111                         | 395435111 | 395437111 | 395933111        | 395935111 | 395937111 | NA               | NA        | NA        | NA                         | NA        | NA        | 55.00  | 2.166 | 50.00  | 1.969                   |  |  |  |
| 5.0mm, Euro Block, PC Mount, Right Angle | 12           | 395433112                         | 395435112 | 395437112 | 395933112        | 395935112 | 395937112 | NA               | NA        | NA        | NA                         | NA        | NA        | 60.00  | 2.362 | 55.00  | 2.166                   |  |  |  |
| 5.0mm, Euro Block, PC Mount, Right Angle | 13           | 395433113                         | 395435113 | 395437113 | 395933113        | 395935113 | 395937113 | NA               | NA        | NA        | NA                         | NA        | NA        | 65.00  | 2.559 | 60.00  | 2.362                   |  |  |  |
| 5.0mm, Euro Block, PC Mount, Right Angle | 14           | 395433114                         | 395435114 | 395437114 | 395933114        | 395935114 | 395937114 | NA               | NA        | NA        | NA                         | NA        | NA        | 70.00  | 2.756 | 65.00  | 2.559                   |  |  |  |
| 5.0mm, Euro Block, PC Mount, Right Angle | 15           | 395433115                         | 395435115 | 395437115 | 395933115        | 395935115 | 395937115 | NA               | NA        | NA        | NA                         | NA        | NA        | 75.00  | 2.953 | 70.00  | 2.756                   |  |  |  |
| 5.0mm, Euro Block, PC Mount, Right Angle | 16           | 395433116                         | 395435116 | 395437116 | 395933116        | 395935116 | 395937116 | NA               | NA        | NA        | NA                         | NA        | NA        | 80.00  | 3.150 | 75.00  | 2.953                   |  |  |  |
| 5.0mm, Euro Block, PC Mount, Right Angle | 17           | 395433117                         | 395435117 | 395437117 | 395933117        | 395935117 | 395937117 | NA               | NA        | NA        | NA                         | NA        | NA        | 85.00  | 3.346 | 80.00  | 3.150                   |  |  |  |
| 5.0mm, Euro Block, PC Mount, Right Angle | 18           | 395433118                         | 395435118 | 395437118 | 395933118        | 395935118 | 395937118 | NA               | NA        | NA        | NA                         | NA        | NA        | 90.00  | 3.543 | 85.00  | 3.346                   |  |  |  |
| 5.0mm, Euro Block, PC Mount, Right Angle | 19           | 395433119                         | 395435119 | 395437119 | 395933119        | 395935119 | 395937119 | NA               | NA        | NA        | NA                         | NA        | NA        | 95.00  | 3.740 | 90.00  | 3.543                   |  |  |  |
| 5.0mm, Euro Block, PC Mount, Right Angle | 20           | 395433120                         | 395435120 | 395437120 | 395933120        | 395935120 | 395937120 | NA               | NA        | NA        | NA                         | NA        | NA        | 100.00 | 3.937 | 95.00  | 3.740                   |  |  |  |
| 5.0mm, Euro Block, PC Mount, Right Angle | 21           | 395433121                         | 395435121 | 395437121 | 395933121        | 395935121 | 395937121 | NA               | NA        | NA        | NA                         | NA        | NA        | 105.00 | 4.134 | 100.00 | 3.937                   |  |  |  |
| 5.0mm, Euro Block, PC Mount, Right Angle | 22           | 395433122                         | 395435122 | 395437122 | 395933122        | 395935122 | 395937122 | NA               | NA        | NA        | NA                         | NA        | NA        | 110.00 | 4.331 | 105.00 | 4.134                   |  |  |  |
| 5.0mm, Euro Block, PC Mount, Right Angle | 23           | 395433123                         | 395435123 | 395437123 | 395933123        | 395935123 | 395937123 | NA               | NA        | NA        | NA                         | NA        | NA        | 115.00 | 4.528 | 110.00 | 4.331                   |  |  |  |
| 5.0mm, Euro Block, PC Mount, Right Angle | 24           | 395433124                         | 395435124 | 395437124 | 395933124        | 395935124 | 395937124 | NA               | NA        | NA        | NA                         | NA        | NA        | 120.00 | 4.724 | 115.00 | 4.528                   |  |  |  |

|  |                     |  |  |                 |  |  |              |                        |
|--|---------------------|--|--|-----------------|--|--|--------------|------------------------|
| SEE SHEET 1<br>IEC NO: NE0206-0310<br>DRAWN BY: LROTHAUS<br>CHKD BY: C. YORK<br>APPR: JIPAWLCK<br>2006/01/08<br>2006/01/08<br>2006/01/10 | QUALITY SYMBOLS<br> | GENERAL TOLERANCES (UNLESS SPECIFIED)                      |  | DIMENSION STYLE |  | SCALE  | DESIGN UNITS | THIRD ANGLE PROJECTION |
|  |                     |  |  | MM/IN           |  | 4:1  | INCH         |                        |
|  |                     |  |  | DRAWN BY DATE   |  | TITLE  |              |                        |
|  |                     |  |  | CHECKED BY DATE |  | 5.0MM, EURO TERM. BLOCK<br>RIGHT ANGLE, PC MOUNT,<br>STACKABLE, STAMPED TERM.  |              |                        |
|  |                     | APPROVED BY DATE   |  | MATERIAL NO.    |  | DOCUMENT NO.   |              | SHEET NO.              |
|  |                     | ANGULAR ± 2°   |  | SEE CHART       |  | SD-39543-006   |              | 2 OF 2                 |
|  |                     | DRAFT WHERE APPLICABLE<br>MUST REMAIN<br>WITHIN DIMENSIONS |  | SIZE B          |  | THIS DRAWING CONTAINS INFORMATION THAT IS PROPRIETARY TO MOLEX<br>INCORPORATED AND SHOULD NOT BE USED WITHOUT WRITTEN PERMISSION |              |                        |

9 8 7 6 5 4 3 2 1