

Excellent Integrated System Limited

Stocking Distributor

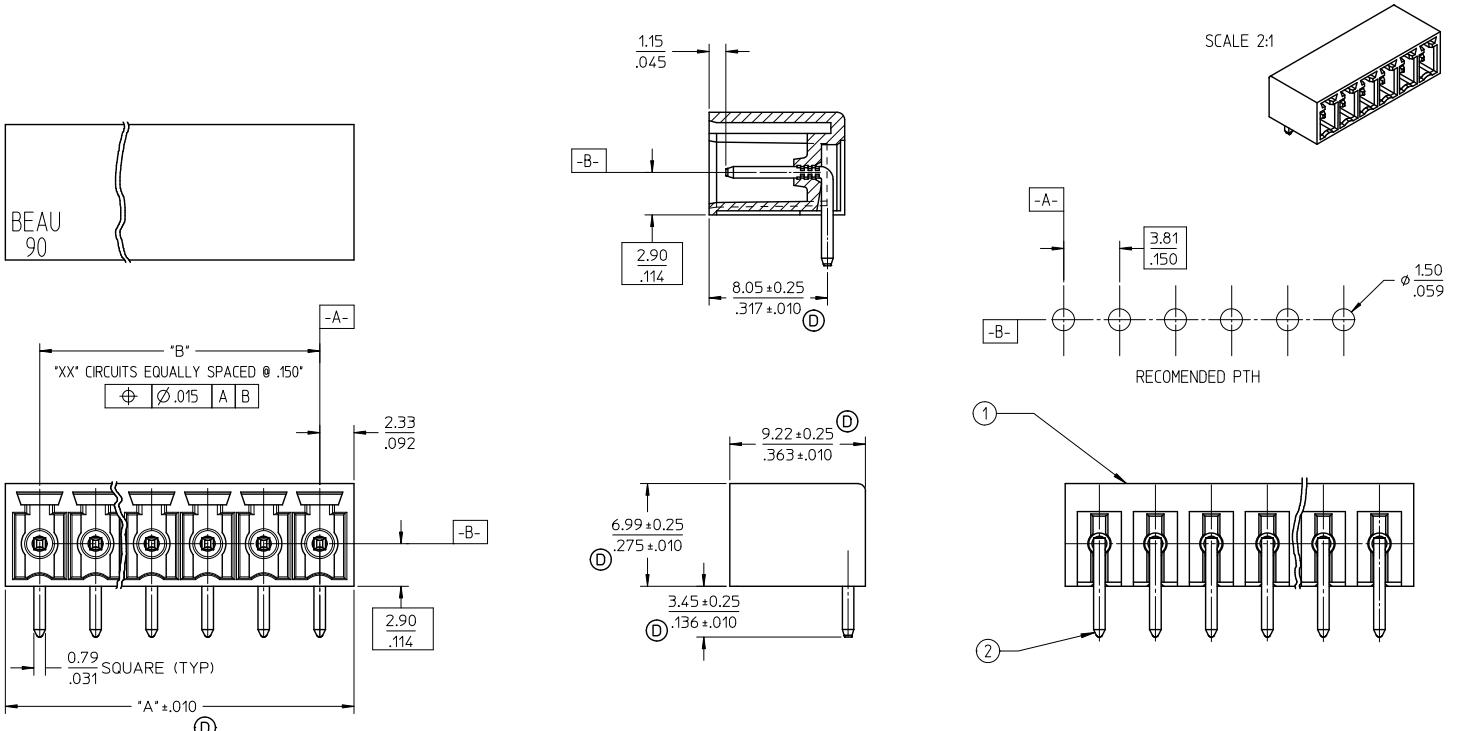
Click to view price, real time Inventory, Delivery & Lifecycle Information:

[Molex Connector Corporation](#)
[0399000705](#)

For any questions, you can email us directly:

sales@integrated-circuit.com

10 9 8 7 6 5 4 3 2 39900



- NOTES:
1. MATERIAL: SEE TABLE
 2. FINISHES: SEE TABLE
 3. SEE DWG SD-38120-003 FOR PRINTING OPTIONS
 4. FLASH NOT TO EXCEED .003" THICK AND/OR .015" LONG UNLESS OTHERWISE SPECIFIED
 5. "XX" REFERS TO NUMBER OF CIRCUITS
 6. ROHS COMPLIANT

2	"XX"	PIN HEADER	BRASS	SEE CHART
1	1	SR HEADER 3.81 CE MO	POLYESTER (PBT)	SEE CHART
ITEM	QTY.	DESCRIPTION	MATERIAL	FINISH

UPDATE TOLERANCE EC NO: WNA2010-0568 DRWN: JENCINS 2010/03/23 CHKD: CLYORK 2010/03/23 APPR: JMACNEIL 2010/03/29	QUALITY SYMBOLS ▽=0 ▽=0	GENERAL TOLERANCES (UNLESS SPECIFIED) <table border="1"> <tr> <th></th> <th>mm</th> <th>INCH</th> </tr> <tr> <td>4 PLACES</td> <td>±---</td> <td>±---</td> </tr> <tr> <td>3 PLACES</td> <td>±---</td> <td>±.005</td> </tr> <tr> <td>2 PLACES</td> <td>±0.13</td> <td>±.01</td> </tr> <tr> <td>1 PLACE</td> <td>±0.3</td> <td>±---</td> </tr> <tr> <td colspan="3">ANGULAR ± 2°</td> </tr> </table>		mm	INCH	4 PLACES	±---	±---	3 PLACES	±---	±.005	2 PLACES	±0.13	±.01	1 PLACE	±0.3	±---	ANGULAR ± 2°			DIMENSION STYLE MM/IN	SCALE 4:1	DESIGN UNITS INCH	THIRD ANGLE PROJECTION
		mm	INCH																					
	4 PLACES	±---	±---																					
	3 PLACES	±---	±.005																					
2 PLACES	±0.13	±.01																						
1 PLACE	±0.3	±---																						
ANGULAR ± 2°																								
DRAWN BY: JENCINS CHECKED BY: CLYORK APPROVED BY: JMACNEIL	DATE: 2010/03/23 DATE: 2010/03/23 DATE: 2010/03/29	TITLE HEADER, RA, CLOSED ENDS ASSY, 3.81/.150 CENTER	MOLEX INCORPORATED																					
	MATERIAL NO. SEE CHART	DOCUMENT NO. SD-39900-006	SHEET NO. 1 OF 2																					
DRAFT WHERE APPLICABLE MUST REMAIN WITHIN DIMENSIONS		THIS DRAWING CONTAINS INFORMATION THAT IS PROPRIETARY TO MOLEX INCORPORATED AND SHOULD NOT BE USED WITHOUT WRITTEN PERMISSION																						

10 9 8 7 6 5 4 3 2 39900

No. OF CIRCUITS	DIM "A"		DIM "B"		MATERIAL NO. TIN PLATED	MATERIAL NO. GOLD PLATED	MATERIAL NO. GREEN BARRIER
	±0.25 mm	±.010 Inch	mm	Inch			
2	8.48	0.334	3.81	0.150	399000702	399010702	399003702
3	12.29	0.484	7.62	0.300	399000703	399010703	399003703
4	16.10	0.634	11.43	0.450	399000704	399010704	399003704
5	19.91	0.784	15.24	0.600	399000705	399010705	399003705
6	23.72	0.934	19.05	0.750	399000706	399010706	399003706
7	27.53	1.084	22.86	0.900	399000707	399010707	399003707
8	31.34	1.234	26.67	1.050	399000708	399010708	399003708
9	35.15	1.384	30.48	1.200	399000709	399010709	399003709
10	38.96	1.534	34.29	1.350	399000710	399010710	399003710
11	42.77	1.684	38.10	1.500	399000711	399010711	399003711
12	46.58	1.834	41.91	1.650	399000712	399010712	399003712
13	50.39	1.984	45.72	1.800	399000713	399010713	399003713
14	54.20	2.134	49.53	1.950	399000714	399010714	399003714
15	58.01	2.284	53.34	2.100	399000715	399010715	399003715
16	61.82	2.434	57.15	2.250	399000716	399010716	399003716
17	65.63	2.584	60.96	2.400	399000717	399010717	399003717
18	69.44	2.734	64.77	2.550	399000718	399010718	399003718
19	73.25	2.884	68.58	2.700	399000719	399010719	399003719
20	77.06	3.034	72.39	2.850	399000720	399010720	399003720
21	80.87	3.184	76.20	3.000	399000721	399010721	399003721

SEE SHEET ONE EC NO: WNA2010-0588 DRAWN: JENCINAS 2010/03/23 CHKD: CLYORK 2010/03/23 APPR: JMACNEIL 2010/03/29 REV:	QUALITY SYMBOLS	GENERAL TOLERANCES (UNLESS SPECIFIED)	DIMENSION STYLE	SCALE	DESIGN UNITS	THIRD ANGLE PROJECTION	
	$\nabla=0$ $\nabla=0$	mm INCH	MM/IN	4:1	INCH		
		4 PLACES ± --- ± --- 3 PLACES ± --- ± .005 2 PLACES ± 0.13 ± .01 1 PLACE ± 0.3 ± --- ANGULAR ± 2 °	DRAWN BY DATE JENCINAS 2010/03/23 CHECKED BY DATE CLYORK 2010/03/23 APPROVED BY DATE JMACNEIL 2010/03/29	TITLE	HEADER , RA, CLOSED ENDS ASSY, 3.81/.150 CENTER		
		DRAFT WHERE APPLICABLE MUST REMAIN WITHIN DIMENSIONS	MATERIAL NO. SEE CHART	DOCUMENT NO. SD-39900-006	MOLEX INCORPORATED		
			SIZE B	THIS DRAWING CONTAINS INFORMATION THAT IS PROPRIETARY TO MOLEX INCORPORATED AND SHOULD NOT BE USED WITHOUT WRITTEN PERMISSION			
						SHEET NO. 2 OF 2	

9 8 7 6 5 4 3 2 1