



Distributor of Panduit: Excellent Integrated System Limited

Datasheet of DNG14-187FB-C - Connector Quick Connect Receptacle 14-16 AWG 0.187"
(4.75mm) Crimp

Contact us: sales@integrated-circuit.com Website: www.integrated-circuit.com

Excellent Integrated System Limited

Stocking Distributor

Click to view price, real time Inventory, Delivery & Lifecycle Information:

[Panduit](#)

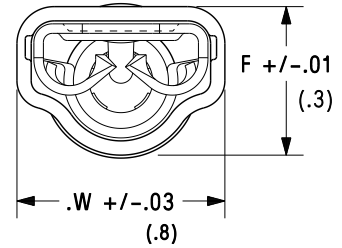
[DNG14-187FB-C](#)

For any questions, you can email us directly:

sales@integrated-circuit.com

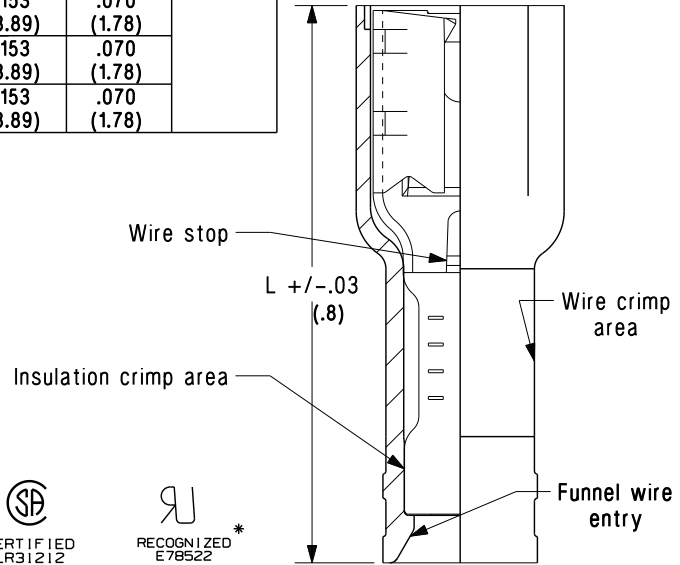


Panduit Part number	Wire range AWG (mm ²)	Tab Size	Housing color	Dim. "F"	Dim. "W"	Dim. "L"	Maximum Wire Insulation Diameter	MINIMUM Wire Insulation Diameter	Tools
DNG18-187FB	22-18 (0.5 - 1.0)	.187 X .032	Red	.22 (5.6)	.29 (7.4)	.89 (22.6)	.126 (3.20)	.050 (1.27)	CT-1015
DNG18-188FB	22-18 (0.5 - 1.0)	.187 X .020	Red	.22 (5.6)	.29 (7.4)	.89 (22.6)	.126 (3.20)	.050 (1.27)	
DNG18-250FB	22-18 (0.5 - 1.0)	.250 X .032	Red	.22 (5.6)	.35 (8.9)	.93 (23.6)	.126 (3.20)	.050 (1.27)	
* DNG14-187FB	16-14 (1.5 - 2.5)	.187 X .032	Blue	.25 (6.4)	.29 (7.4)	.89 (22.6)	.153 (3.89)	.070 (1.78)	
* DNG14-188FB	16-14 (1.5 - 2.5)	.187 X .020	Blue	.25 (6.4)	.29 (7.4)	.89 (22.6)	.153 (3.89)	.070 (1.78)	
DNG14-250FB	16-14 (1.5 - 2.5)	.250 X .032	Blue	.25 (6.4)	.35 (8.9)	.93 (23.6)	.153 (3.89)	.070 (1.78)	



Notes:

- Used for:
 - 600V max voltage rating
 - 221°F (105°C) max temperature rating
 - Stranded copper wire only
- Wire strip length:
 - 250: 1/4 ^{+1/32} ₋₀ (6.4 ⁺⁸ ₋₀)
 - 187/188: 9/32 ^{+1/32} ₋₀ (7.1 ⁺⁸ ₋₀)
- Material:
 - Stamping - Tin plated brass
 - Housing - Nylon
- SEE www.panduit.com FOR PART NUMBER SUFFIX DESIGNATION FOR PACKAGE SIZE.
- Dimensions in brackets are in millimeters or mm²
- DNG14-187FB AND DNG14-188FB ARE UL RECOGNIZED FOR USE WITH COPPER ALLOY TABS.



CORP.

TINLEY PARK, ILLINOIS

Supra-Grip™

Fully Insulated Loose Piece Female Disconnect

REV	DATE	BY	DESCRIPTION	PM	CUST
08	8/11	SHOR	MODIFIED NOTE #4, REMOVED PACKAGE SIZES		
07	02/11	SRB	Added Packaging code L= 50 pieces		

DRAWN BY	CHK'D	SCALE	DRAWING NO./CAD FILENAME
BDK	RLS	None	A41570