

Excellent Integrated System Limited

Stocking Distributor

Click to view price, real time Inventory, Delivery & Lifecycle Information:

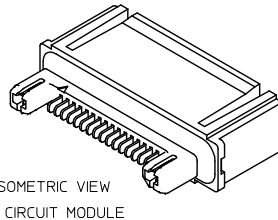
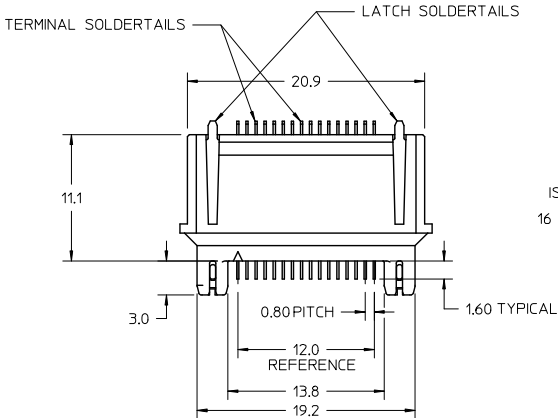
[Molex Connector Corporation](#)
[0461325000](#)

For any questions, you can email us directly:

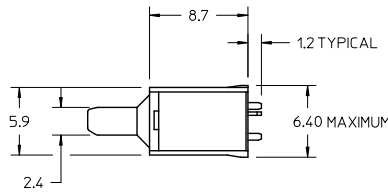
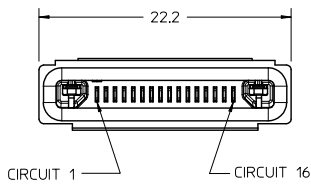
sales@integrated-circuit.com

NOTES:

- MATERIALS:
HOUSING: HIGH-TEMPERATURE NYLON, GLASS FILLED, UL94V-0, COLOR: BLACK.
TERMINAL: TIN-BRASS ALLOY
LATCHES: STAINLESS STEEL.
- FINISHES:
TERMINAL: SELECTIVE GOLD IN CONTACT AREA, THICKNESS= 0.1 MICROMETERS MINIMUM, OVER SELECTIVE PALLADIUM NICKEL IN CONTACT AREA, THICKNESS= 1.0 MICROMETER MINIMUM, SELECTIVE BRIGHT TIN IN SOLDERTAIL AREA, THICKNESS= 1.01 MICROMETERS MINIMUM, NICKEL UNDERPLATE OVERALL.
LATCHES: OVERALL TIN, THICKNESS= 5 MICROMETERS MINIMUM, NICKEL UNDERPLATE OVERALL.
- PRODUCT SPECIFICATION: PS-46132-001.
- APPLICATION SPECIFICATION: AS-44828-001.
- PACKAGED PER PACKAGING SPECIFICATION PK-45593-001.
- PART COMPLIES WITH CLASS C OF COSMETIC SPECIFICATION PS-45499-002.



ISOMETRIC VIEW
16 CIRCUIT MODULE



0.20 CLEARANCE BETWEEN PLUG CONNECTOR AND RECEPTACLE HOUSING

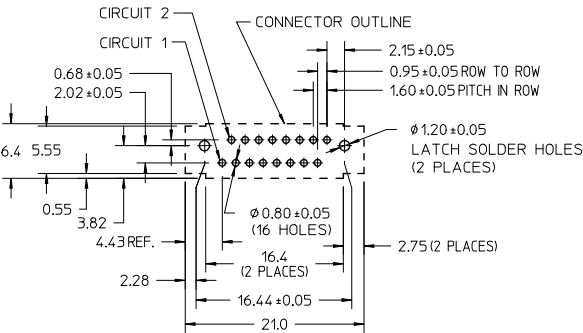
RECOMMENDATIONS FOR CONFIGURATION OF MATED CONNECTORS

PLUG CONNECTOR

ELECTRONIC DEVICE CASING

IMPORTANT: PLEASE REFER TO MOLEX APPLICATION SPECIFICATION AS-44828-001 FOR DETAILED DESIGN LAYOUT AND MATING REQUIREMENTS.

NO. OF CIRCUITS	PLUG ITEM NUMBER	TERMINAL LOCATIONS (PRESENCE DENOTED BY AN X)															
		1	2	3	4	5	6	7	8	9	10	11	12	13	14	15	16
16	461325000	X	X	X	X	X	X	X	X	X	X	X	X	X	X	X	X
11	461325001	X	X	X			X		X	X	X	X	X	X	X	X	X
10	461325002	X			X	X	X	X					X	X	X	X	X



ADD -5001 & -5002 EC NO: UCP2009-2006 DRAWN BY: DMORGAN 2009/03/02 CHECKED BY: MIBARRA 2009/03/03 APPROVED BY: APPELSMILLER 2009/03/03 DESCRIPTION:	QUALITY SYMBOLS	GENERAL TOLERANCES (UNLESS SPECIFIED)	DIMENSION STYLE	SCALE	DESIGN UNITS	THIRD ANGLE PROJECTION
	▼=0 ▽=0	mm INCH 4 PLACES ± --- ± --- 3 PLACES ± --- ± .005 2 PLACES ± 0.13 ± .010 1 PLACE ± 0.25 ± --- ANGULAR ± 1/2°	IN/MM DRAWN BY: DMORGAN DATE: 2009/01/29 CHECKED BY: MIBARRA DATE: 2009/01/29 APPROVED BY: SMILLER DATE: 2009/01/29	4:1	INCH	MOLEX INCORPORATED 0.8MM HANDYLINK™ HIGH LOAD PLUG WITH PCB THRU HOLE OPTIONS
	DRAFT WHERE APPLICABLE MUST REMAIN WITHIN DIMENSIONS	SEE CHART	MATERIAL NO.	DOCUMENT NO.	SHEET NO.	1 OF 1