



**Distributor of Molex Connector Corporation: Excellent Integrated System Limited**  
Datasheet of 0467652302 - Connector Receptacle HDMI Micro 19 Position Surface Mount,  
Right Angle, Horizontal

Contact us: [sales@integrated-circuit.com](mailto:sales@integrated-circuit.com) Website: [www.integrated-circuit.com](http://www.integrated-circuit.com)

---

## **Excellent Integrated System Limited**

Stocking Distributor

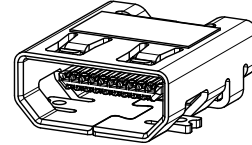
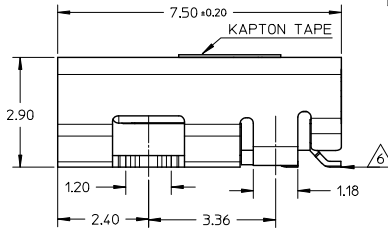
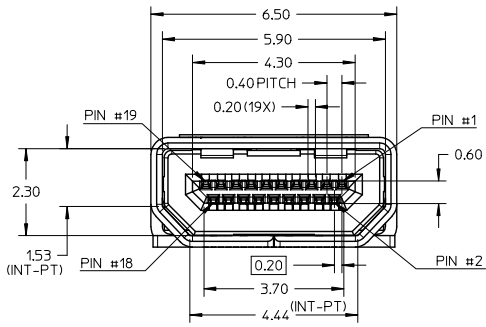
Click to view price, real time Inventory, Delivery & Lifecycle Information:

[Molex Connector Corporation](#)  
[0467652302](#)

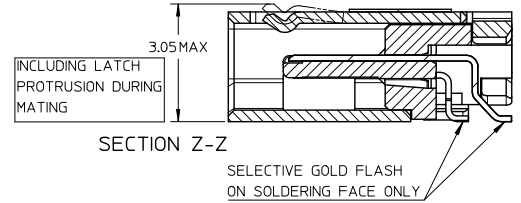
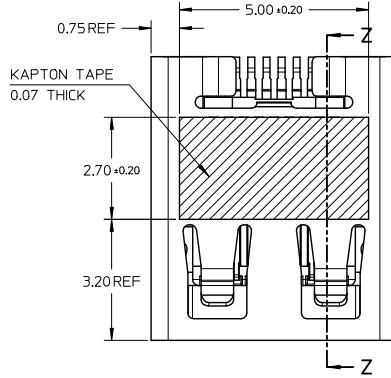
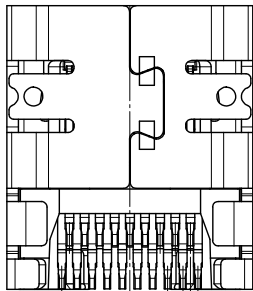
For any questions, you can email us directly:  
[sales@integrated-circuit.com](mailto:sales@integrated-circuit.com)

Contact us: sales@integrated-circuit.com Website: www.integrated-circuit.com

D1	Pg1-B2,Pg2-C3,Pg3-C2,PS-46765-003	10.Jan.2013
D	PG4/5,modify keepout zone.pg1,2,3/5 add blackhsg p/n	28.Nov.2011
REV NO	DESCRIPTION	DATE



MICRO HDMI-SMT TYPE MOUNTING ISOMETRIC VIEW

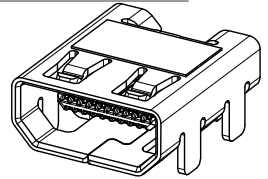
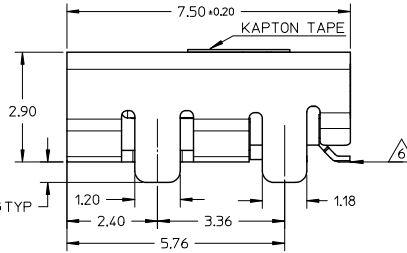
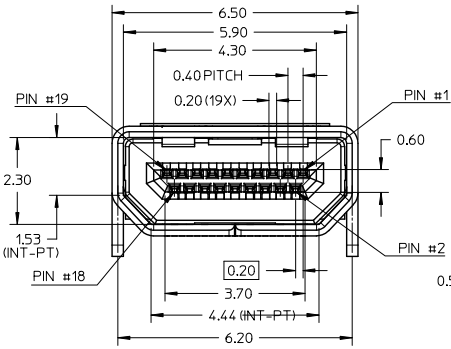


- NOTES:
- MATERIALS:  
HOUSING: LCP, 30% GLASS FILLED, UL94V-0  
TERMINALS: COPPER ALLOY  
SHIELD: STAINLESS STEEL
  - FINISHES:  
TERMINALS: GOLD ON CONTACT AREA (Refer Table),  
0.05UM MIN GOLD FLASH ON SOLDER TAILS,  
AND 2.0UM MIN NICKEL UNDERPLATE OVERALL  
SHIELD: MATTE TIN (Refer Table) OVER 1.27UM MIN NICKEL
  - PRODUCT SPECIFICATION: PS-46765-003
  - PACKAGING SPECIFICATION: PACKED IN TAPE & REEL
  - SEE SHEET 4 OF 5 FOR RECOMMENDED PCB LAYOUT
- △ TERMINAL SOLDER-TAIL COPLANARITY 0.08 MAX

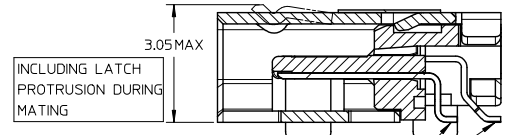
DESCRIPTION	Contact: 0.76µM Gold Min Shield: 3.8µM Tin Min	Contact: 0.38µM Gold Min Shield: 2.0µM Tin Min
SMT TYPE+KAPTON TAPE	46765-0001	46765-0301
SMT TYPE+BLACK HSG+KAPTON TAPE	--	46765-0302
SMT TYPE	46765-0011	46765-0311
SMT TYPE+BLACK HSG	--	46765-0312

RELEASED EC NO: S2013-0441 2013/01/10 DRAWN: WANGZS CHKD: JESSIECHUA 2013/07/10 APPR: SHONG 2013/07/17	QUALITY SYMBOLS ▽=0 △=0	GENERAL TOLERANCES (UNLESS SPECIFIED)		DIMENSION STYLE MM ONLY		SCALE NTS	DESIGN UNITS METRIC	THIRD ANGLE PROJECTION
		4 PLACES ± --- ± ---	3 PLACES ± --- ± ---	2 PLACES ± 0.1 ± ---	1 PLACE ± --- ± ---	ANGULAR ± 2 °	DRAWN BY MKAMARAU	DATE 2008/10/14
D1	DESCRIPTION	DRAFT WHERE APPLICABLE MUST REMAIN WITHIN DIMENSIONS		SEE TABLE		MATERIAL NO. SD-46765-001	DOCUMENT NO.	SHEET NO. 1 OF 5
				SIZE A3		THIS DRAWING CONTAINS INFORMATION THAT IS PROPRIETARY TO MOLEX INCORPORATED AND SHOULD NOT BE USED WITHOUT WRITTEN PERMISSION		

Contact us: sales@integrated-circuit.com Website: www.integrated-circuit.com



MICRO HDMI-THRU HOLE TYPE MOUNTING ISOMETRIC VIEW

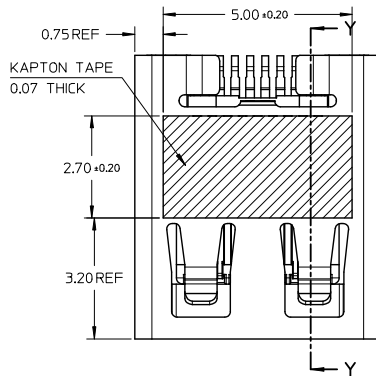
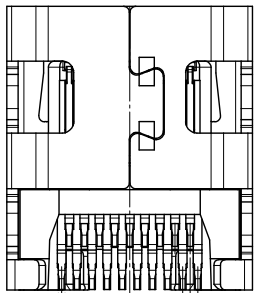


SECTION Y-Y

SELECTIVE GOLD FLASH ON SOLDERING FACE ONLY

NOTES:

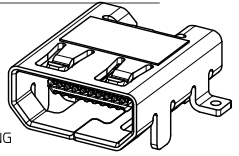
- MATERIALS:  
HOUSING: LCP, 30% GLASS FILLED, UL94V-0  
TERMINALS: COPPER ALLOY  
SHIELD: STAINLESS STEEL
  - FINISHES:  
TERMINALS: GOLD ON CONTACT AREA (Refer Table),  
0.05UM MIN GOLD FLASH ON SOLDER TAILS,  
AND 2.0UM MIN NICKEL UNDERPLATE OVERALL  
SHIELD: MATTE TIN (Refer Table) OVER 1.27UM MIN NICKEL
  - PRODUCT SPECIFICATION: PS-46765-003
  - PACKAGING SPECIFICATION: PACKED IN TAPE & REEL
  - SEE SHEET 4 OF 5 FOR RECOMMENDED PCB LAYOUT
- △ TERMINAL SOLDER-TAIL COPLANARITY 0.08 MAX



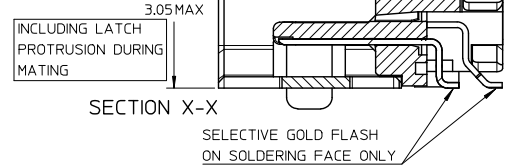
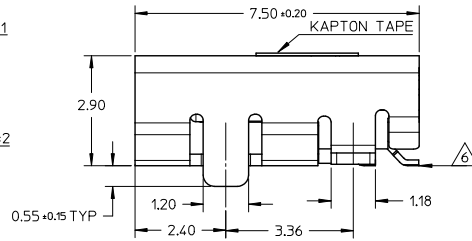
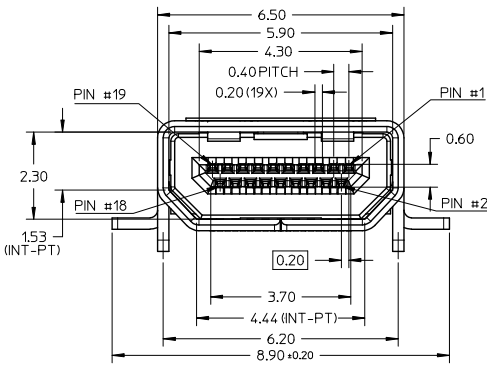
DESCRIPTION	Contact: 0.76µM Gold Min Shield: 3.8µM Tin Min	Contact: 0.38µM Gold Min Shield: 2.0µM Tin Min
THRU HOLE TYPE+KAPTON TAPE	46765-1001	46765-1301
THRU HOLE TYPE+BLACK HSG+KAPTON TAPE	--	46765-1302
THRU HOLE TYPE	46765-1011	46765-1311
THRU HOLE TYPE+BLACK HSG	--	46765-1312

RELEASED EC NO: S2013-0441 DRAWN: WANG25 2013/01/10 CHKD: JESSIECHUA 2013/01/10 APPR: SHONG 2013/01/17	QUALITY SYMBOLS ▽=0 ▽=0	GENERAL TOLERANCES (UNLESS SPECIFIED)		DIMENSION STYLE		SCALE	DESIGN UNITS	THIRD ANGLE PROJECTION
		mm	INCH	MM ONLY	MM ONLY	NTS	METRIC	
REV D1	DESCRIPTION	4 PLACES	± ---	± ---	MKAMARAU	2008/10/14	TITLE MICRO HDMI, TYPE-D 0.4MM PITCH, 19CKT RECEPTACLE CONNECTOR	MATERIAL NO. SD-46765-001
		3 PLACES	± ---	± ---	CHECKED BY	DATE		
		2 PLACES	± 0.1	± ---	MKAMARAU	2008/10/14		
		1 PLACE	± ---	± ---	APPROVED BY	DATE		
		ANGULAR ± 2 °		NAGESHKN		2010/11/19		
DRAFT WHERE APPLICABLE MUST REMAIN WITHIN DIMENSIONS		SEE TABLE		DOCUMENT NO.		SHEET NO. 2 OF 5		
		SIZE A3		THIS DRAWING CONTAINS INFORMATION THAT IS PROPRIETARY TO MOLEX INCORPORATED AND SHOULD NOT BE USED WITHOUT WRITTEN PERMISSION				

Contact us: sales@integrated-circuit.com Website: www.integrated-circuit.com

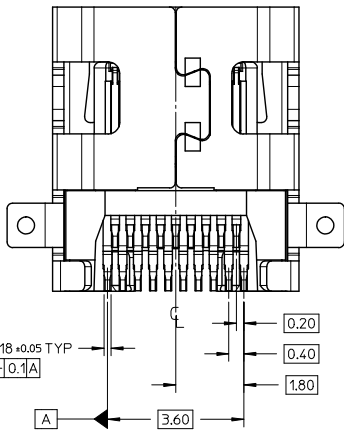
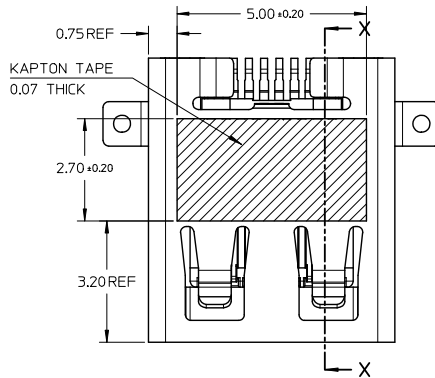


MICRO HDMI  
HYBRID TYPE MOUNTING



NOTES:

- MATERIALS:  
HOUSING: LCP, 30% GLASS FILLED, UL94V-0  
TERMINALS: COPPER ALLOY  
SHIELD: STAINLESS STEEL
- FINISHES:  
TERMINALS: GOLD ON CONTACT AREA (Refer Table),  
0.05UM MIN GOLD FLASH ON SOLDER TAILS,  
AND 2.0UM MIN NICKEL UNDERPLATE OVERALL  
SHIELD: MATTE TIN (Refer Table) OVER 1.27UM MIN NICKEL
- PRODUCT SPECIFICATION: PS-46765-003
- PACKAGING SPECIFICATION: PACKED IN TAPE & REEL
- SEE SHEET 4 OF 5 FOR RECOMMENDED PCB LAYOUT
- TERMINAL SOLDER-TAIL COPLANARITY 0.08 MAX



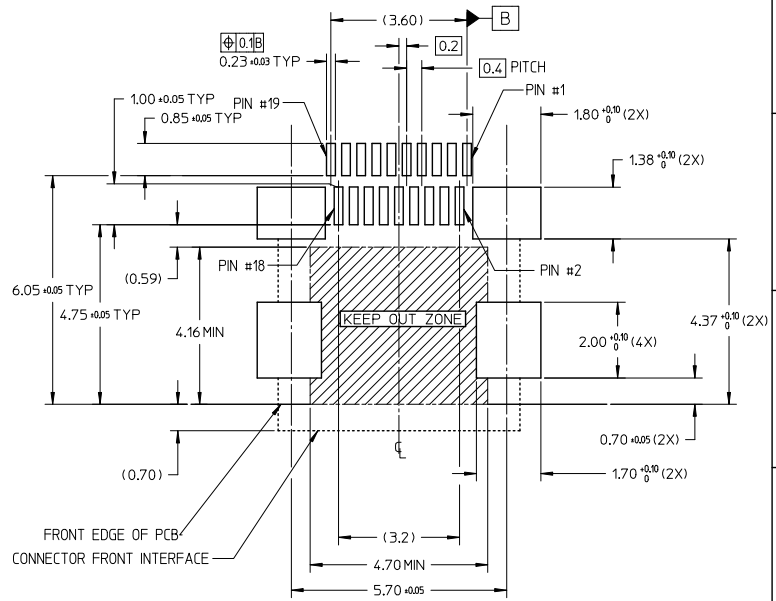
DESCRIPTION	Contact: 0.76µM Gold Min Shield: 3.8µM Tin Min PART NUMBER	Contact: 0.38µM Gold Min Shield: 2.0µM Tin Min PART NUMBER
HYBRID TYPE-KAPTON TAPE	46765-2001	46765-2301
HYBRID TYPE-BLACK HOUSING+KAPTON TAPE	46765-2021	46765-2302
HYBRID TYPE	46765-2011	46765-2311
HYBRID TYPE-BLACK HSG	--	46765-2312

REV	DESCRIPTION	QUALITY SYMBOLS	GENERAL TOLERANCES (UNLESS SPECIFIED)		DIMENSION STYLE		SCALE	DESIGN UNITS	THIRD ANGLE PROJECTION	
			mm	INCH	MM ONLY	DATE				
D1	RELEASED EC NO: S2013-0441 DRAWN: WANG25 2013/01/10 CHKD: JESSIECHUA 2013/01/10 APPR: SHONG 2013/01/17	▽=0 ▽=0	4 PLACES ± --- ± ---	3 PLACES ± --- ± ---	2 PLACES ± 0.1 ± ---	1 PLACE ± --- ± ---	ANGULAR ± 2 °	DRAWN BY MKAMARAU	DATE 2008/10/14	TITLE MICRO HDMI, TYPE-D 0.4MM PITCH, 19CKT RECEPTACLE CONNECTOR
DRAFT WHERE APPLICABLE MUST REMAIN WITHIN DIMENSIONS			SEE TABLE		MATERIAL NO.		DOCUMENT NO.		SHEET NO.	
			SIZE A3		THIS DRAWING CONTAINS INFORMATION THAT IS PROPRIETARY TO MOLEX INCORPORATED AND SHOULD NOT BE USED WITHOUT WRITTEN PERMISSION		MOLEX INCORPORATED		3 OF 5	

Contact us: [sales@integrated-circuit.com](mailto:sales@integrated-circuit.com) Website: [www.integrated-circuit.com](http://www.integrated-circuit.com)

PIN	SIGNAL ASSIGNMENT
1	Hot Plug Detect
2	Utility
3	TMDS Data2+
4	TMDS Data2 Shield
5	TMDS Data2-
6	TMDS Data1+
7	TMDS Data1 Shield
8	TMDS Data1-
9	TMDS Data0+
10	TMDS Data0 Shield
11	TMDS Data0-
12	TMDS Clock+
13	TMDS Clock Shield
14	TMDS Clock-
15	CEC
16	DDC/CEC Ground
17	SCL
18	SDA
19	+5V Power

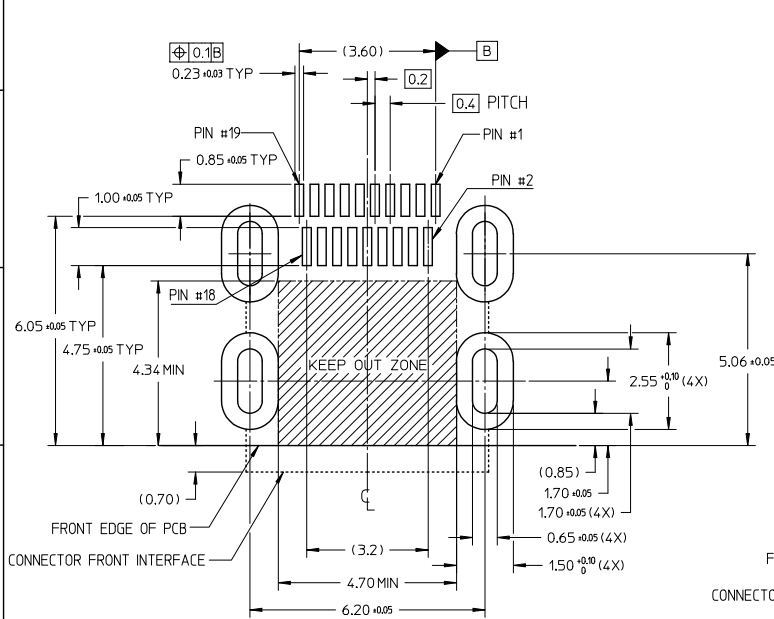
CONNECTION	SIGNALS
FIRST MAKE	TYPE D CONNECTOR
SECOND MAKE	CONNECTOR SHELL
THIRD MAKE	PINS 1 - 18
	PIN 19 (+5V POWER)



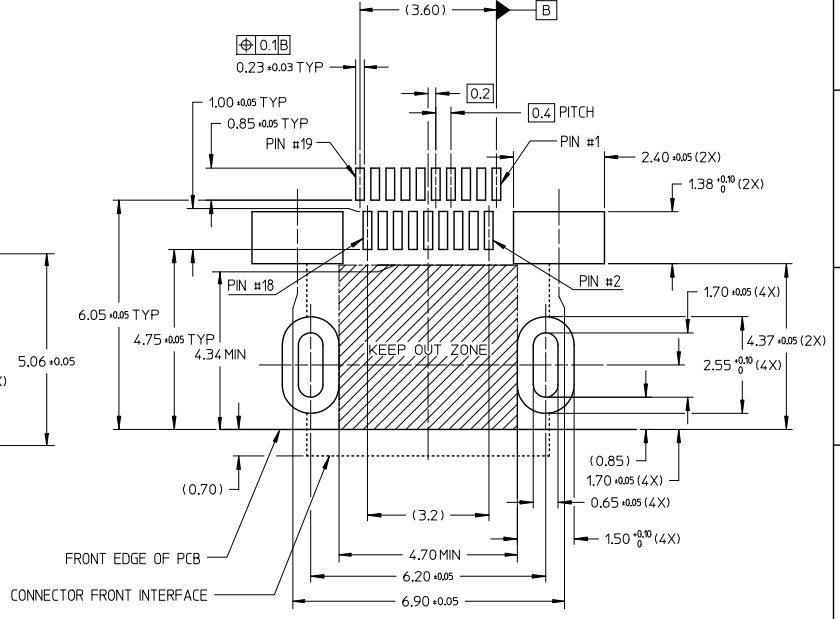
RECOMMENDED PCB LAYOUT  
COMPONENT SIDE OF BOARD  
SHEET 1 OF 5

RELEASED EC. NO. S2013-0441 DRAWN: WANG25 2013/01/10 CHKD: JESSIECHUA 2013/01/10 APPR: SHONG 2013/01/17	QUALITY SYMBOLS ▽=0 ▽=0	GENERAL TOLERANCES (UNLESS SPECIFIED)		DIMENSION STYLE MM ONLY		SCALE NTS	DESIGN UNITS METRIC	THIRD ANGLE PROJECTION
		mm	INCH	DRAWN BY MKAMARAU	DATE 2008/10/14	TITLE MICRO HDMI, TYPE-D 0.4MM PITCH, 19CKT RECEPTACLE CONNECTOR		
REV D1	DESCRIPTION	4 PLACES ± ---	± ---	CHECKED BY MKAMARAU	DATE 2008/10/14	MOLEX INCORPORATED	DOCUMENT NO. SD-46765-001	SHEET NO. 4 OF 5
		3 PLACES ± ---	± ---	APPROVED BY NAGESHKN	DATE 2010/11/19			
		2 PLACES ± 0.1	± ---	MATERIAL NO. SEE TABLE				
		1 PLACE ± ---	± ---	DRAFT WHERE APPLICABLE MUST REMAIN WITHIN DIMENSIONS				
		ANGULAR ± 2 °		SIZE A3		THIS DRAWING CONTAINS INFORMATION THAT IS PROPRIETARY TO MOLEX INCORPORATED AND SHOULD NOT BE USED WITHOUT WRITTEN PERMISSION		

Contact us: sales@integrated-circuit.com Website: www.integrated-circuit.com



RECOMMENDED PCB LAYOUT  
COMPONENT SIDE OF BOARD  
SHEET 2 OF 5



RECOMMENDED PCB LAYOUT  
COMPONENT SIDE OF BOARD  
SHEET 3 OF 5

RELEASED EC NO: S2013-0441 DRAWN: WANG25 2013/01/10 CHKD: JESSIECHUA 2013/01/10 APPR: SHONG 2013/01/17 REV DESCRIPTION	QUALITY SYMBOLS	GENERAL TOLERANCES (UNLESS SPECIFIED)	DIMENSION STYLE	SCALE	DESIGN UNITS	THIRD ANGLE PROJECTION																		
	$\nabla=0$ $\nabla=0$	<table border="1"> <thead> <tr> <th></th> <th>mm</th> <th>INCH</th> </tr> </thead> <tbody> <tr> <td>4 PLACES</td> <td>±---</td> <td>±---</td> </tr> <tr> <td>3 PLACES</td> <td>±---</td> <td>±---</td> </tr> <tr> <td>2 PLACES</td> <td>±0.1</td> <td>±---</td> </tr> <tr> <td>1 PLACE</td> <td>±---</td> <td>±---</td> </tr> <tr> <td colspan="3">ANGULAR ± 2°</td> </tr> </tbody> </table>		mm	INCH	4 PLACES	±---	±---	3 PLACES	±---	±---	2 PLACES	±0.1	±---	1 PLACE	±---	±---	ANGULAR ± 2°			MM ONLY	NTS	METRIC	<input checked="" type="checkbox"/> THIRD ANGLE <input type="checkbox"/> FIRST ANGLE
		mm	INCH																					
	4 PLACES	±---	±---																					
3 PLACES	±---	±---																						
2 PLACES	±0.1	±---																						
1 PLACE	±---	±---																						
ANGULAR ± 2°																								
DRAFT WHERE APPLICABLE MUST REMAIN WITHIN DIMENSIONS	SEE TABLE	DRAWN BY: MKAMARAU CHECKED BY: MKAMARAU APPROVED BY: NAGESHKN DATE: 2008/10/14 DATE: 2008/10/14 DATE: 2010/11/19	TITLE	MATERIAL NO.	DOCUMENT NO.	SHEET NO.																		
D1					MICRO HDMI, TYPE-D 0.4MM PITCH, 19CKT RECEPTACLE CONNECTOR MOLEX INCORPORATED	SD-46765-001 5 OF 5																		