

## Excellent Integrated System Limited

Stocking Distributor

Click to view price, real time Inventory, Delivery & Lifecycle Information:

[CNC Tech](#)  
[102-1392-BL-00200](#)

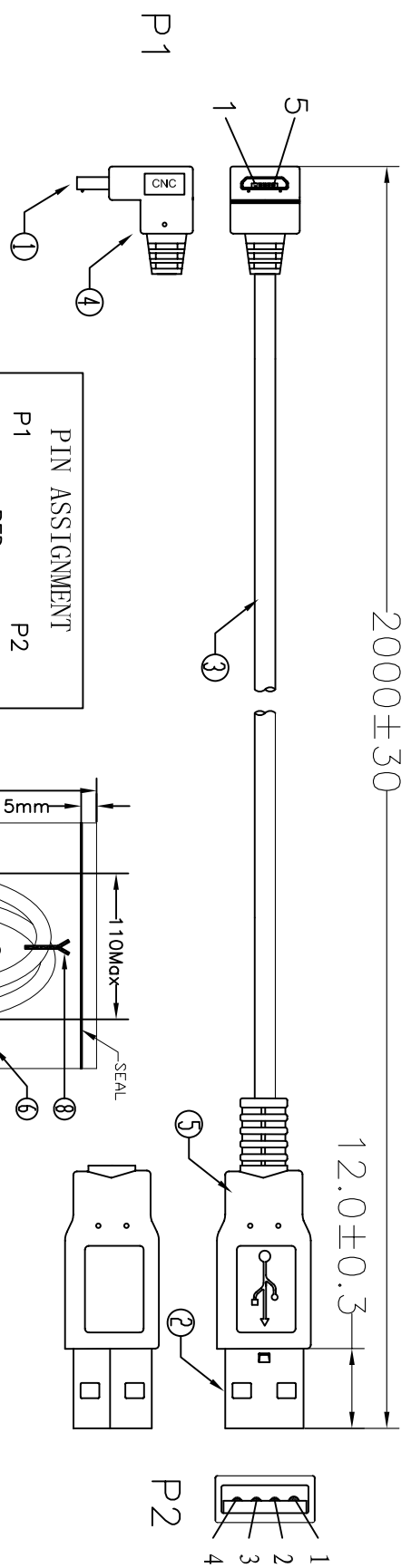
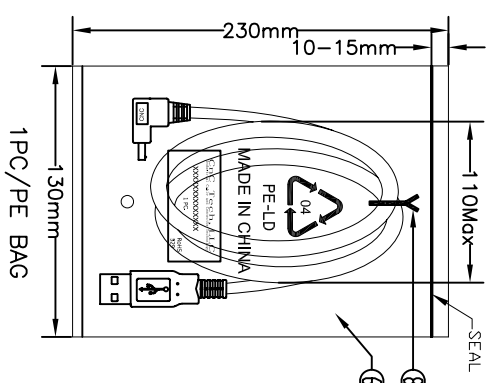
For any questions, you can email us directly:

[sales@integrated-circuit.com](mailto:sales@integrated-circuit.com)

UNIT:mm


**Electrical test:**  
 1. 100% short, open, miswire test  
 2. Conduct resistance: 2 Ohm(max)  
 3. Insulation resistance: 10Mohm(min)  
 4. dielectric test: DC 300V

PIN ASSIGNMENT	
P1	P2
1	1
2	2
3	3
4	4
5	SHELL



⑧	TIE	1	BLACK L=60mm
⑦	PE BAG	1/10	CLEAR SIZE: 280*330*0.05mm PRINT BLACK"MADE IN CHINA"+ "10PCS"及印生产周期,有透气孔.
⑥	PE BAG	1	CLEAR SIZE: 130*230*0.05mm PRINT BLACK"MADE IN CHINA"+ "1PC"及印生产周期,有透气孔.
⑤	OUT JACKET	6g	BLACK PVC-40P (MOULD NO:WM-40)
④	IN JACKET	2g	CAEAR PE (MOULD NO:NM-140)
④	OUT JACKET	6g	BLACK PVC-40P (MOULD NO:WM-272)
③	CABLE	1	USB2.0 UL2725 [28AWG(7/0.12TC+AL)*1P+28AWG(7/0.12TC)*2C]+AEB(48B ALMG) JACKET:BLACK OD:3.5mm L=2000±15mm
②	CONN	1set	USB A MALE SHELL:NICKEL PIN:G/F CRIMP TYPE INSULATOR COLOR:WHITE
①	CONN	1	MICRO USB 5P B/M SOLDER TYPE SHELL:NICKEL PIN:G/F INSULATOR COLOR:BLACK
NO.	NAME	Q'TY	SPECIFICATION

**CNC Tech, LLC**  
 Industrial Cable and Connector Technology

DRAWN	ANDY	DRAWING NO	V6/LJ0-094-087-
CHECKED		CUSTOMER	CNC
APPROVAL		ITEM NO.	102-1392-BL-00200
DECIDED		DATE	2014-06-16
VERSIONS/EDITION	A/0	PROJECTION	

4

3

2

1