

## Excellent Integrated System Limited

Stocking Distributor

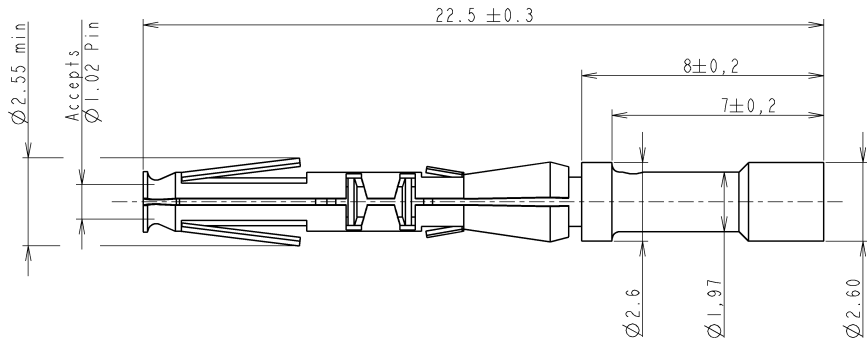
Click to view price, real time Inventory, Delivery & Lifecycle Information:

[Souriau Connection Technology](#)  
[RC18W3K](#)

For any questions, you can email us directly:

[sales@integrated-circuit.com](mailto:sales@integrated-circuit.com)

D : 0 : RL



**Notes :**

- Machined contact
- The extraction tool is RX20D44
- Crimping tool : S2ORCM

**Material :**

- Contact body:high conductive copper alloy  
:plating: K : 0.4 micron gold over nickel
- Retaining spring:stainless steel

**Performance Characteristics :**

- Contact retention in the body:50N max
- Contact insertion force:5N max
- Contact separation force:2N min
- Current rating:7.5 Amps
- Contact resistance:6mΩ max
- Dielectric withstanding voltage:1500 Vrms min
- Diameter over insulation 1.20 mm min up to 2.10 mm max
- Section of wire 0.50 mm<sup>2</sup> min up to 0.82 mm<sup>2</sup> max
- Wire strip length : 4.8 mm

P/N : RC18W3K

d	20/04/11	Update of section of wire		21654
ISS	DATE	Latest modification - by: MOREAU F.		MOD N°
Designed by: C.PROVOST		Date: 20/04/11	CUSTOMER DRAWING	
TITLE		Female crimp contact AWG 20 - 18 Connector UT0W		
Scale	8/1		General linear Tolerances: ± 0.1	NPRDS / PROJECT RC
		WWW.SOURIAU.COM		This document is the property of SOURIAU It must not be reproduced or communicated without permission
FORMAT	A3	SOURIAU DRG N° RC18W3K-C01		SHEET 1 / 1