

## Excellent Integrated System Limited

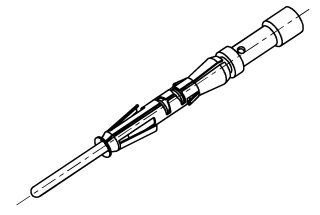
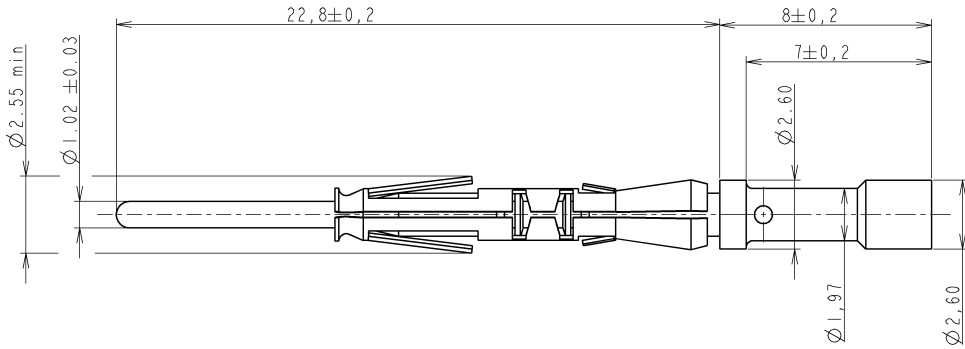
Stocking Distributor

Click to view price, real time Inventory, Delivery & Lifecycle Information:

[Souriau Connection Technology](#)  
[RM18W3K](#)

For any questions, you can email us directly:

[sales@integrated-circuit.com](mailto:sales@integrated-circuit.com)



**Notes :**

- Machined contact
- Extraction tool : RX20D44
- Crimping tool : S20RCM

**Material :**

- Contact body:high conductive copper alloy  
:plating: K : 0.4 micron gold over nickel
- Retaining spring:stainless steel

**Performance Characteristics :**

- Contact retention in the body:50N max
- Contact insertion force:5N max
- Contact separation force:2N min
- Current rating:7.5 Amps
- Contact resistance:6mΩ max
- Dielectric withstanding voltage:1500 Vrms min
- Diameter over insulation 1.20 mm min up to 2.10 mm max
- Section of wire 0.50 mm<sup>2</sup> min up to 0.82 mm<sup>2</sup> max
- Wire strip length : 4,8 mm

**P/N : RM18W3K**

<b>C</b>	20/04/11	Update of performance characteristics		21654
<b>ISS</b>	<b>DATE</b>	<b>Latest modification - by:</b> MOREAU F.		<b>MOD N°</b>
<b>Designed by:</b> PROVOST C.		<b>Date:</b> 18/11/03	<b>CUSTOMER DRAWING</b>	
<b>TITLE</b>		Male crimp contact AWG 20 - 18 Connector UTOW		
<b>Scale</b>	7/1		<b>General linear Tolerances:</b> ± 0.1	<b>NPRDS / PROJECT RM</b>
		<b>WWW.SOURIAU.COM</b>		This document is the property of SOURIAU It must not be reproduced or communicated without permission
<b>FORMAT</b>	A3	<b>SOURIAU DRG N° RM18W3K-C01</b>		<b>SHEET 1 / 1</b>