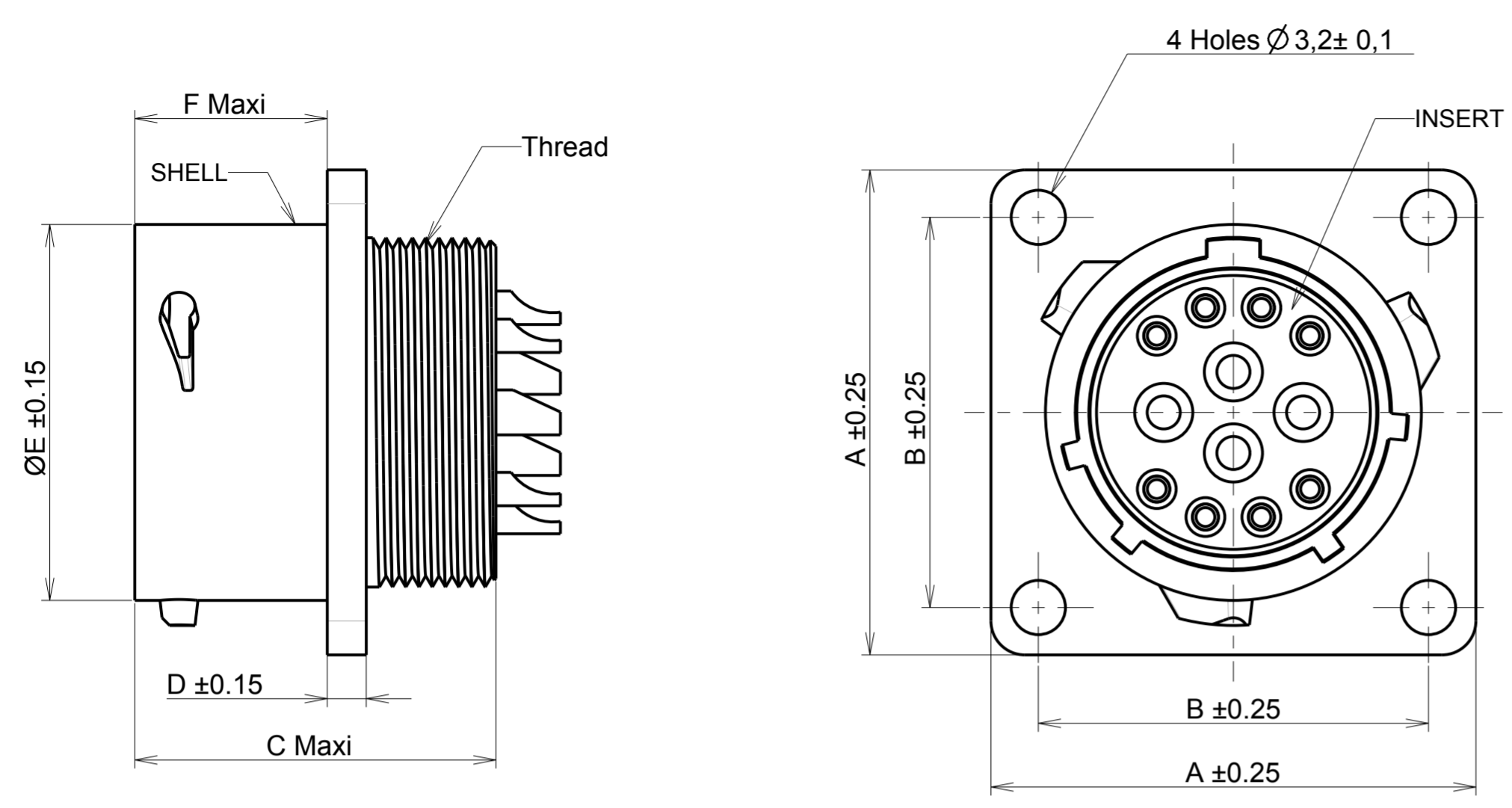
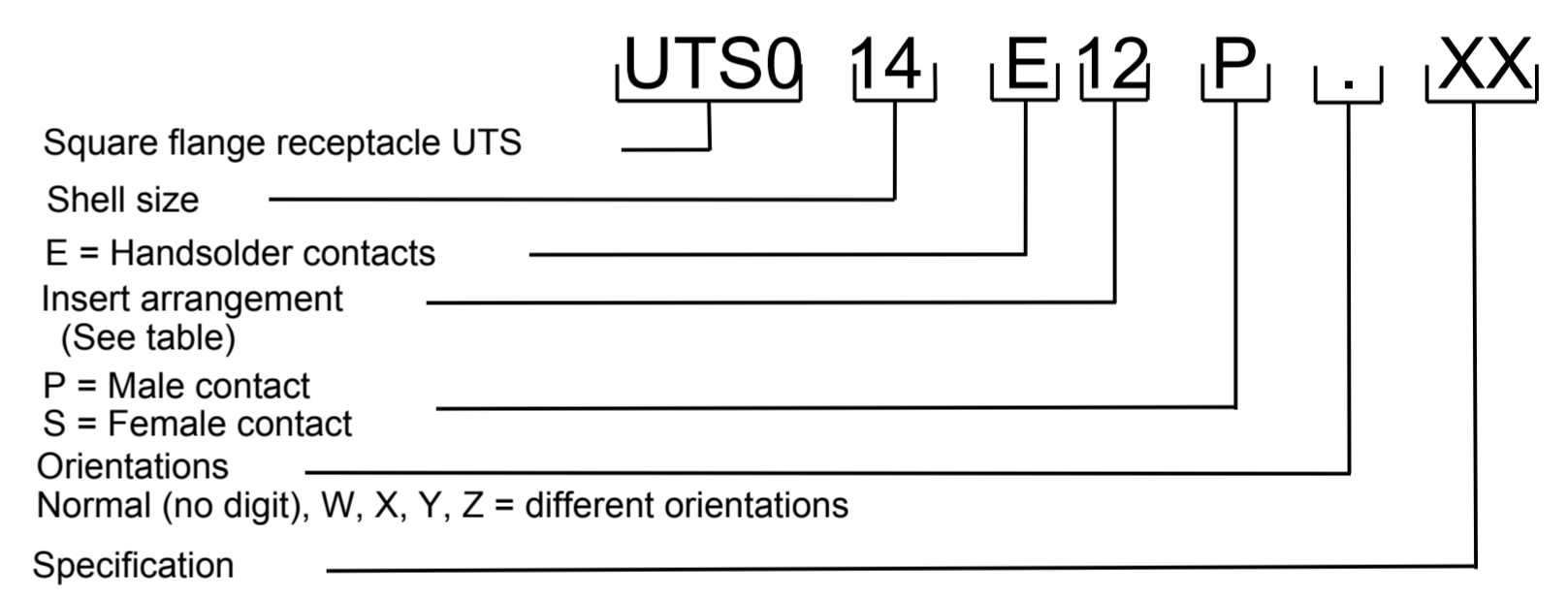
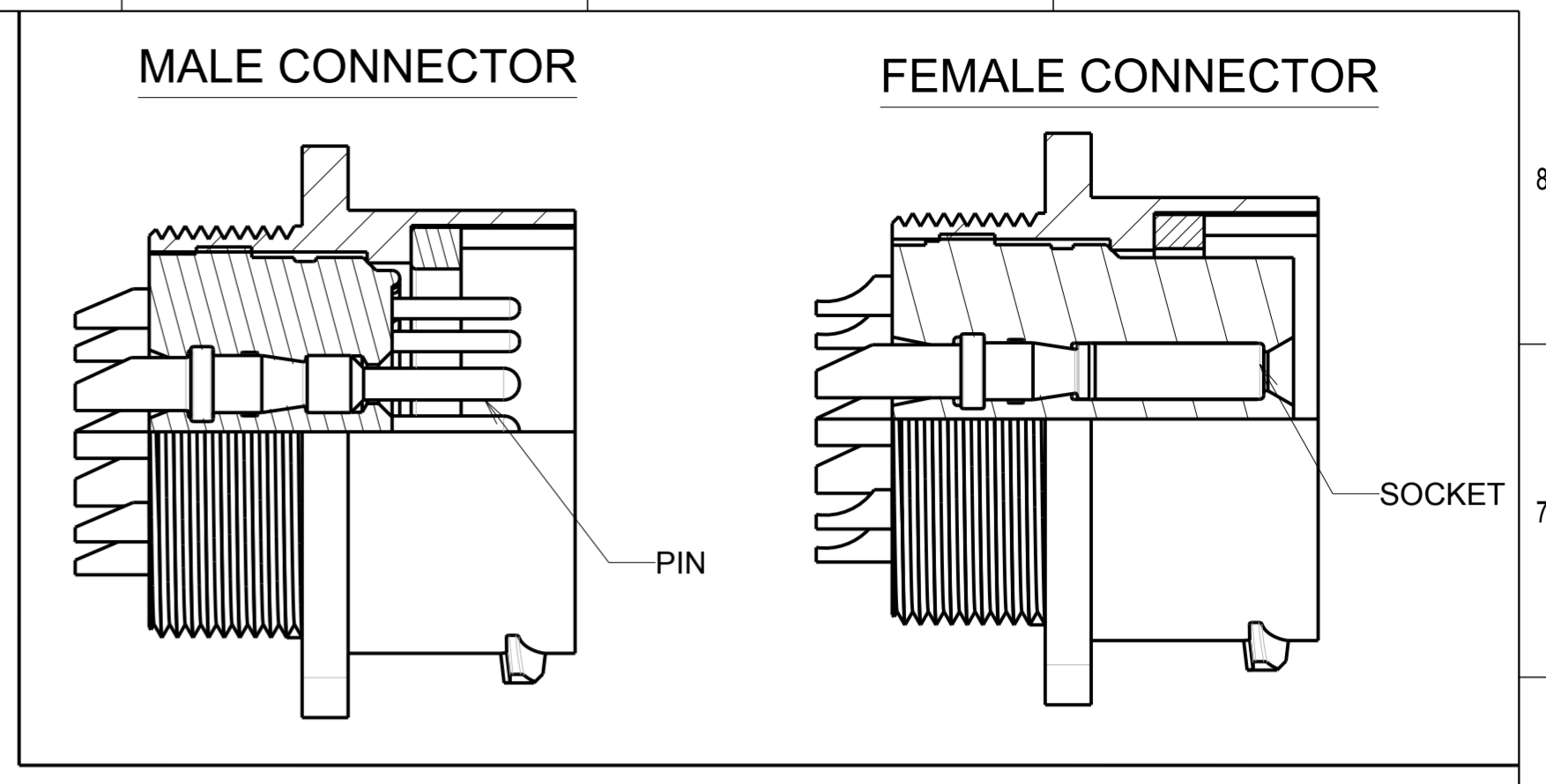


d : 0 : RL



SHELL SIZE	A ±0.25	B ±0.25	C Maxi	D ±0.15	ØE ±0.15	F Maxi	G ±0.25	H ±0.10	Thread
8	21.00	15.10	21.50	2.30	11.90	11.70	15.10	12.50	7/16 28 UNEF Class 2A
10	23.80	18.30	21.50	2.30	14.90	11.70	18.30	15.10	9/16 24 UNEF Class 2A
12	26.20	20.60	21.50	2.30	18.95	11.70	20.60	18.20	11/16 24 UNEF Class 2A
14	28.60	23.00	21.50	2.30	22.15	11.70	23.00	21.40	13/16 20 UNEF Class 2A



**MATERIAL :**

Shell: Polyamid UL94 V-0  
 Insert: Polychloroprene  
 Seal gasket : Sealing IP68/69K : Silicone  
 O'seal : Nitril  
 Contact: brass + gold plated

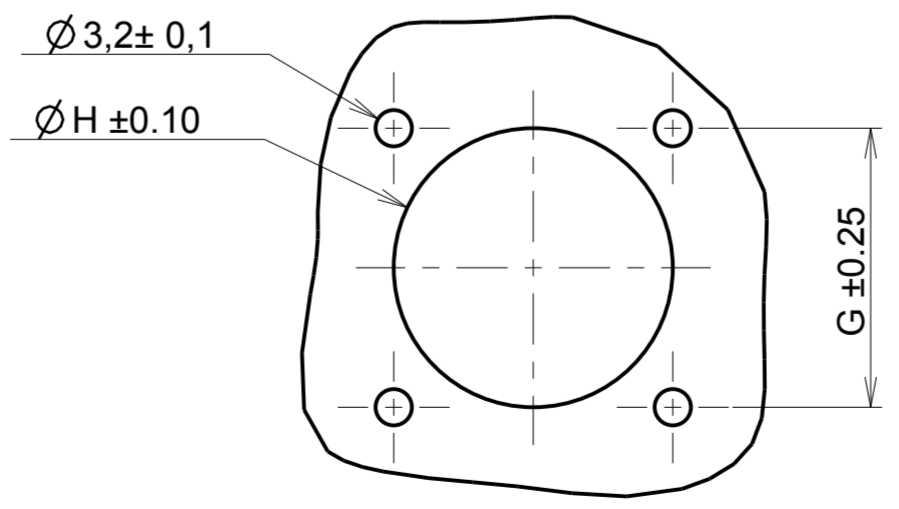
**PERFORMANCE CHARACTERISTICS :**

Operating temperature: -40°C up to 105°C  
 Insulation resistance: 5000 MΩ min  
 Test potential: 1500Vrms for #20 layout  
 Corrosion salt spray: 500 hours  
 Durability: 250 matings and unmatings  
 Sealing in mated and unmated conditions:  
 -IP68 1 bar during 1 week : immersion under 10 m of water. (IEC 60529)  
 -IP69K : exposure to high pressure water of cleaning equipment (DIN 40050)

**NOTE:**

Insert arrangements : refer to C144-UTS1-A

**PANEL CUT OUT**



d	12/05/11	Delete Ø J - add orientations in the part number	21774
ISS	DATE	Latest modification - by: J.FEURPRIER	MOD N°
Designed by:	SORIN V.	Date: 26/10/07	CUSTOMER DRAWING
TITLE	SQUARE FLANGE RECEPTACLE UTS HI SEAL		
Scale	2/1	General linear Tolerances: ± 0.1	NPRDS / PROJECT UTS
		WWW.SOURIAU.COM	This document is the property of SOURIAU. It must not be reproduced or communicated without permission.
FORMAT	A2	SOURIAU DRG N° C044-UTS1-A	SHEET 1 / 1