

Excellent Integrated System Limited

Stocking Distributor

Click to view price, real time Inventory, Delivery & Lifecycle Information:

[MikroElektronika](#)
[MIKROE-429](#)

For any questions, you can email us directly:
sales@integrated-circuit.com

microSD Card PROTO™

Manual

All Mikroelektronika's development systems feature a large number of peripheral modules expanding microcontroller's range of application and making the process of program testing easier. In addition to these modules, it is also possible to use numerous additional modules linked to the development system through the I/O port connectors. Some of these additional modules can operate as stand-alone devices without being connected to the microcontroller.

Additional board

 **MikroElektronika**

SOFTWARE AND HARDWARE SOLUTIONS FOR EMBEDDED WORLD ...making it simple

microSD Card PROTO

The microSD Card PROTO additional board is used to read/write to microSD memory cards.

Key features:

- microSD memory card read/write;
- SPI communication;
- 3.3 power supply voltage; etc.

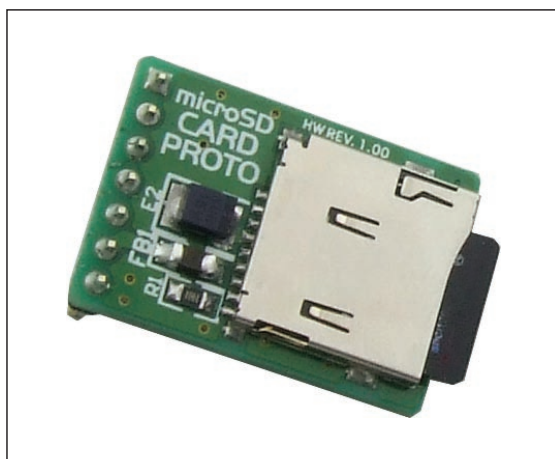


Figure 1: microSD Card PROTO board

How to connect the board?

The microSD Card PROTO additional board can be easily connected to a microcontroller via a 1x7 connector CN1. A microSD memory card is inserted in the CN2 connector. The board requires 3.3V power supply voltage for its operation.

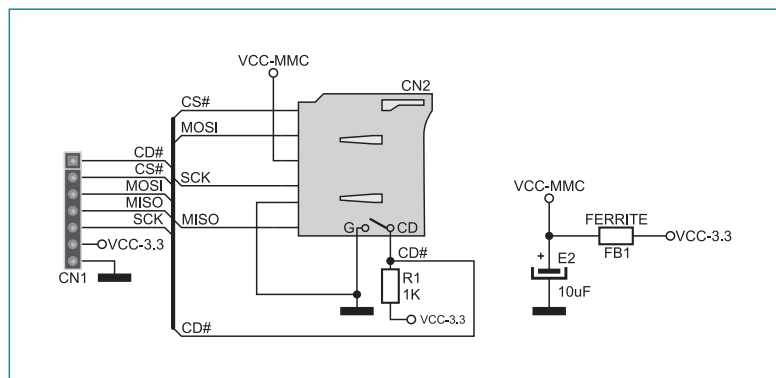


Figure 2: microSD Card PROTO connection schematic

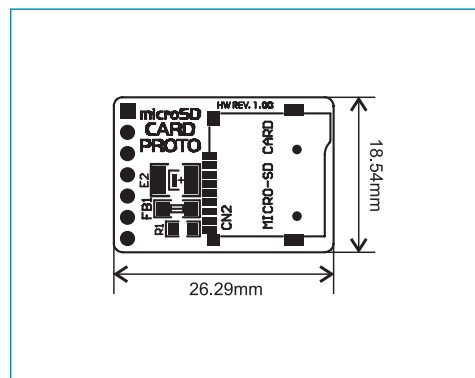


Figure 3: Dimensions of the board



SOFTWARE AND HARDWARE SOLUTIONS FOR EMBEDDED WORLD

...making it simple

If you want to learn more about our products, please visit our website at www.mikroe.com

If you are experiencing some problems with any of our products or just need additional information, please place your ticket at www.mikroe.com/en/support

If you have any questions, comments or business proposals, do not hesitate to contact us at office@mikroe.com

