

Excellent Integrated System Limited

Stocking Distributor

Click to view price, real time Inventory, Delivery & Lifecycle Information:

[Panduit](#)
[P10-10LF-D](#)

For any questions, you can email us directly:
sales@integrated-circuit.com



THIS COPY IS PROVIDED ON A RESTRICTED BASIS AND IS NOT TO BE USED IN ANY WAY DETRIMENTAL TO THE INTERESTS OF PANDUIT CORP.

PANDUIT PART NUMBER	STUD SIZE	DIMENSIONS in.				
		A $\pm .02$	W $\pm .01$	C $\pm .02$	M $\pm .02$	H $\pm .01$
P10-6LF	#6	.77 (19.56)	.30 (7.62)	.23 (5.84)	.53 (13.46)	.14 (3.56)
P10-8LF	#8	.79 (20.07)	.30 (7.62)	.23 (5.84)	.53 (13.46)	.16 (4.06)
P10-10LF	#10	.79 (20.07)	.34 (8.64)	.23 (5.84)	.53 (13.46)	.19 (4.83)
P10-14LF	1/4"	.92 (23.37)	.46 (11.68)	.33 (8.38)	.63 (16.00)	.25 (6.35)

NOTES:

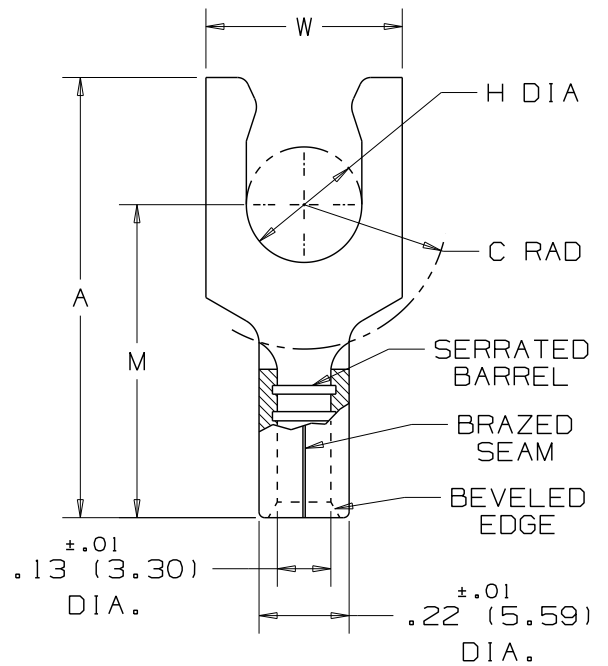
- UL LISTED AND CSA CERTIFIED FOR:
 - #14-10 AWG SOLID OR STRANDED COPPER WIRE
 - 302° F (150° C) MAX. TEMP. RATING
- MATERIAL:
 - STAMPING - .04" (1.02) THK COPPER, TIN PLATED
- SEE www.panduit.com FOR PART NUMBER SUFFIX DESIGNATION FOR PACKAGE SIZE.
- DIMENSIONS IN BRACKETS ARE IN MILLIMETERS
- INSTALLATION TOOLS:
 - UL LISTED AND CSA CERTIFIED: CT-100, CT-200, CT-570, CT-600-A, CT-1570, CT-1701, CT-2500
 - PANDUIT APPROVED: CT-160, CT-260
- WIRE STRIP LENGTH: $9/32^{+1/32}_{-.0}$ (7.1 $^{+.8}_{-.0}$)



LISTED
587H
E52164



CERTIFIED
LR31212



				PANDUIT CORP. TINLEY PARK, ILLINOIS			
				#12-10 BARREL NON-INSULATED LOCKING FORK			
08	8/11	SHOR	MODIFIED NOTE #3, ADDED INSTALLATION TOOLS	PM	CUST	DRAWN BY DAW	CHK'D SCALE NONE DRAWING NO. A41287