

## Excellent Integrated System Limited

Stocking Distributor

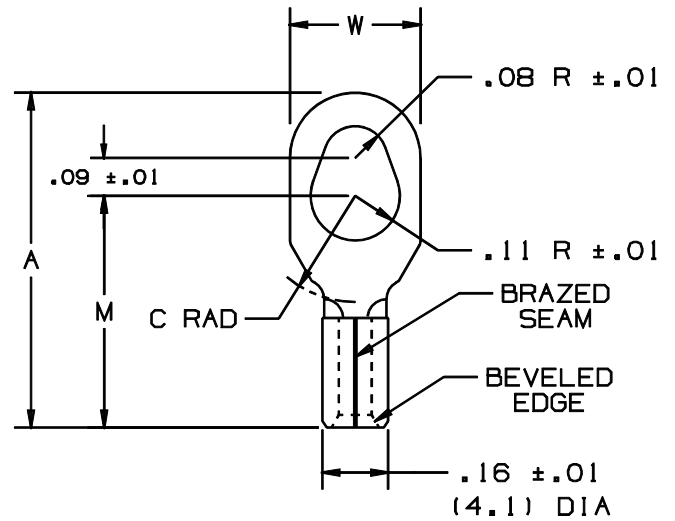
Click to view price, real time Inventory, Delivery & Lifecycle Information:

[Panduit](#)  
[P14-610R-C](#)

For any questions, you can email us directly:  
[sales@integrated-circuit.com](mailto:sales@integrated-circuit.com)

THIS COPY IS PROVIDED ON A RESTRICTED BASIS AND IS NOT TO BE USED IN ANY WAY DETRIMENTAL TO THE INTERESTS OF PANDUIT CORP.

PANDUIT PART NUMBER		STUD SIZE	DIMENSIONS in.			
PREFIX	PK		A $\pm .02$ 1.51	W $\pm .01$ 1.31	C $\pm .02$ 1.41	M $\pm .02$ 1.51
P14-610R	-C -M	#6, #8, #10	.80 (20.3)	.31 (7.9)	.25 (6.3)	.55 (14.0)



NOTES:

- UL LISTED AND CSA CERTIFIED FOR:  
A. #18-14 AWG SOLID OR STRANDED, COPPER WIRE  
B. 302°F (150°C) MAX TEMP RATING
- PACKAGE QUANTITY:  
A. STD: C=100  
B. BULK: M=1000
- MATERIAL:  
A. STAMPING: .032 (.81) THK COPPER, TIN PLATED
- WIRE STRIP LENGTH: 9/32  $\begin{matrix} +1/32 \\ -0 \end{matrix}$  (7.1  $\begin{matrix} +.8 \\ -0 \end{matrix}$ )
- DIMENSIONS IN BRACKETS ARE IN MILLIMETERS
- INSTALLATION TOOLS:  
A. UL LISTED AND CSA CERTIFIED WITH:  
CT-100, CT-200, CT-570, CT-1570  
B. PANDUIT APPROVED: CT-160, CT-260



LISTED  
587H  
E52164



CERTIFIED  
LR31212

A41473\_04

04	1/01	KMD		CAD FILE SPEC. WAS N41473AA_PCD_03					CORP.	TINLEY PARK, ILLINOIS				
03		JKD		ADDED CT-1570 TOOL	07632									
02	4/96	JKD	RS	ADDED DIMS, REVISED NOTES	04299	LA	DBH	#16-14 BARREL, NON-INSULATED MULTI-STUD TERMINAL						
01	2/92	BK	RS	UPDATED AGENCY APPROVAL STATUS		LA	KS							
REV	DATE	BY	CHK	DESCRIPTION	ECN	CUST	PM	DRAWN BY	DWG'D	FES	SCALE	NONE	DRAWING NO.	A41473