

Excellent Integrated System Limited

Stocking Distributor

Click to view price, real time Inventory, Delivery & Lifecycle Information:

[Visual Communications Company, LLC](#)

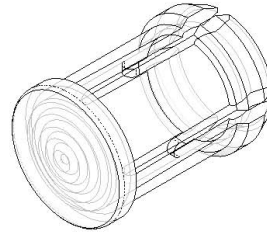
[CLB_300_ATP](#)

For any questions, you can email us directly:

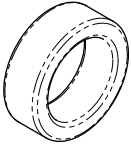
sales@integrated-circuit.com

- NOTES:
1. MOUNTING: Mounts in a $\phi .250 \pm .002$ [$\phi 6.35\text{mm} \pm .05$] panel hole on .375 [9.5mm] centers. Panel thickness .031 [.8mm] to .250 [6.35mm]. Panel hole should be deburred, but not chamfered.
 2. ASSEMBLY: Insert lens through panel hole, (for thin panels less than .188 [4.75mm] thick, slide SPC 125 spacer on back of lens), and insert LED into lens.
 3. MATERIAL: Polycarbonate, UL 94-V2
 GLO Series- Polycarbonate & Acrylic blend
 4. U.S. & Foreign Pat. Issued & Pend.

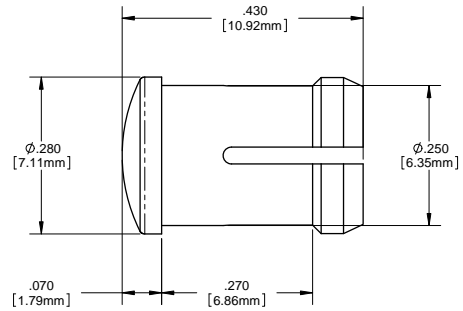
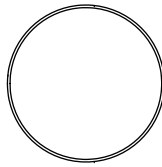
REVISIONS				
ECN#	REV.	DESCRIPTION	DATE	INITIALS
	1	VARIOUS	5-91	JS
	2	ADD GLO SERIES	1-6-09	JG
	3	REMOVE RING 268, ADD UL RATING TO MATERIAL	9-16-09	AZ
	001	REVISED PER ECR111009AZ01	4-23-10	SMU



SPACER
(ORDER SEPARATELY)



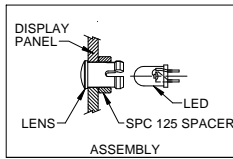
SPC 125



ORDERING CODE : **CLB 300 XXX**

MODEL

LENS COLOR	
RTP	RED TRANSPARENT
ATP	AMBER TRANSPARENT
GTP	GREEN TRANSPARENT
BTP	BLUE TRANSPARENT
YTP	YELLOW TRANSPARENT
CTP	CLEAR TRANSPARENT
GLO	WHITE TRANSLUCENT



<small>UNLESS OTHERWISE SPECIFIED DIMENSIONS ARE IN INCHES</small> ANGLES: DECIMALS <small>1" = 25.4MM</small> FINISH: XXX & 005 <small>WWW.VISUALCOMMUNICATIONS.COM</small>	MATERIAL POLYCARBONATE, UL 94-V2	VISUAL COMMUNICATIONS COMPANY, INC. 190 Bostwick Boulevard, Suite 101, San Marcos, CA 92069 USA Phone: (760) 950-1300 Fax: (760) 950-1301 email: vccsales@vcc.com
	FINISH SEE NOTES	TITLE: 5MM ROUND LOW PROFILE FRESNEL LENS
APPROVAL DRAWN: SMU CHECKED: DJ	DATE 4.23.10 4.23.10	DWG. NO. B CLB 300 XXX
DO NOT SCALE DRAWING	SCALE: 1:1	REV 001 SHEET 1 OF 1