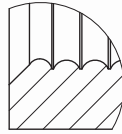
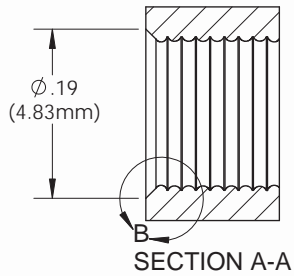
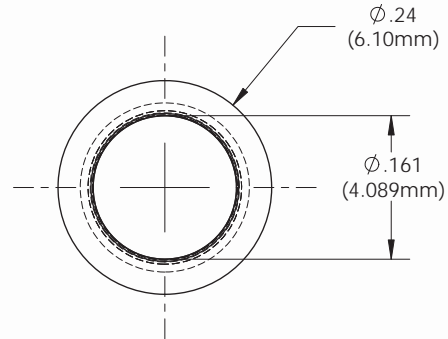
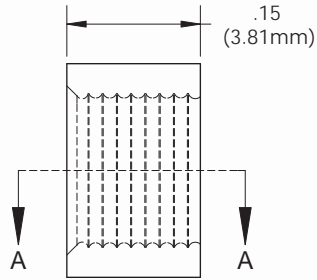


NOTES:
 1) FINISH: Parts shall have a smooth appearance, min. 600 surface finish, with no gates and all flash removed
 2) U.S. & Foreign Pat. Issued and Pend.

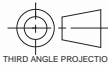
REVISIONS				
ECN #	REV	DESCRIPTION	DATE	INITIALS
	N/A	INITIAL RELEASE	10/25/85	JS
	001	REVISED PER ECR111009AZ01	2/8/10	KH



DETAIL B
SCALE 12 : 1



ISOMETRIC VIEW
SCALE 4:1

<small>UNLESS OTHERWISE SPECIFIED DIMENSIONS ARE IN INCHES.</small> <small>ANGLES DECIMALS</small> <small>± 1' X ±.020</small> <small>FINISH .XX ±.010</small> <small>.XXX ±.005</small>	<small>MATERIAL</small> Polypropylene UL 94-HB		VISUAL COMMUNICATIONS COMPANY <small>190 Bosstick Boulevard, Suite 101 San Marcos, CA 92069 USA Phone (760) 560-1300 Fax (760) 560-1301 email vccsales@vccite.com</small>		
	<small>FINISH</small> SEE NOTES		<small>TITLE:</small> CLIPLITE RNG 165		
<small>BREAK ALL CORNERS AND SHARP EDGES .250 MAX</small>  <small>THIRD ANGLE PROJECTION</small>	<small>APPROVALS</small>	<small>DATE</small>	<small>SIZE</small> A	<small>DWG. NO.</small> RNG 165	<small>REV</small> 001
	<small>DRAWN</small> K.HOWARD <small>CHECKED</small> DPZ	<small>DATE</small> 2/8/10 2/22/10	<small>SCALE: 6:1</small>		<small>SHEET 1 OF 1</small>
<small>PROPRIETARY AND CONFIDENTIAL</small> <small>THE INFORMATION CONTAINED IN THIS DRAWING IS THE SOLE PROPERTY OF VISUAL COMMUNICATIONS COMPANY, INC. ANY REPRODUCTION IN PART OR AS A WHOLE WITHOUT THE WRITTEN PERMISSION OF VISUAL COMMUNICATIONS COMPANY, INC. IS PROHIBITED.</small>					

5

4

3

2

1