

## Excellent Integrated System Limited

Stocking Distributor

Click to view price, real time Inventory, Delivery & Lifecycle Information:

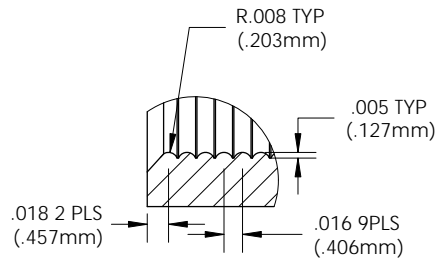
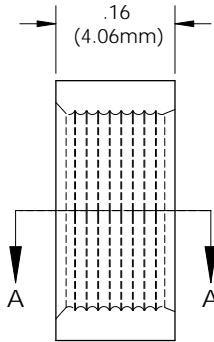
[Visual Communications Company, LLC](#)  
[RNG\\_268](#)

For any questions, you can email us directly:

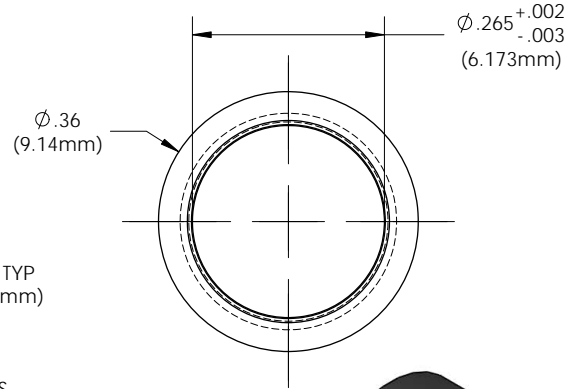
[sales@integrated-circuit.com](mailto:sales@integrated-circuit.com)

- NOTES:**
1. FINISH: Parts shall have a smooth appearance, min.600 surface finish, with no gates and all flash removed
  2. U.S. & Foreign Pat. Issued & Pend.

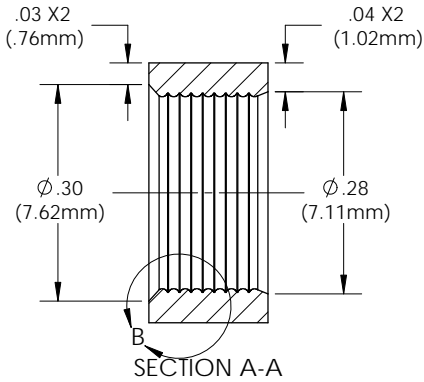
REVISIONS				
ECN #	REV	DESCRIPTION	DATE	INITIALS
	1	VARIOUS	7/94	JS
	2	WAS .275 IS .272	9/26/02	JS
	3	WAS .272 IS .265	10/17/02	JS
	001	REVISED PER ECR 111009AZ01	2/11/10	KH
145	002	CHANGE IN MATERIAL	7/12/10	KH



DETAIL B  
SCALE 8 : 1



ISOMETRIC VIEW  
4:1



SECTION A-A

UNLESS OTHERWISE SPECIFIED DIMENSIONS ARE IN INCHES:  
 ANGLES DECIMALS  
 $\pm 1'$  .XX  $\pm 0.00$   
 FINISH .XX  $\pm 0.10$   
 .XXX  $\pm 0.05$

BREAK ALL CORNERS AND SHARP EDGES 30° MAX

THIRD ANGLE PROJECTION

PROPRIETARY AND CONFIDENTIAL  
 THE INFORMATION CONTAINED IN THIS DRAWING IS THE SOLE PROPERTY OF VISUAL COMMUNICATIONS COMPANY, INC. ANY REPRODUCTION IN PART OR AS A WHOLE WITHOUT THE WRITTEN PERMISSION OF VISUAL COMMUNICATIONS COMPANY, INC. IS PROHIBITED.

MATERIAL	
50% POLYPROPYLENE(BLACK) 50% ELASTOCON	
FINISH	
SEE NOTES	
APPROVALS	DATE
DRAWN K.Howard	2/11/10
CHECKED DPZ	2/22/10
DO NOT SCALE DRAWING	

<b>VISUAL COMMUNICATIONS COMPANY</b> 190 Bosstick Boulevard, Suite 101 San Marcos, CA 92069 USA Phone (760) 560-1300 Fax (760) 560-1301 email vccsales@vccite.com		
TITLE:		
CLIPMOUNT RING RNG 268		
SIZE	DWG. NO.	REV
A	RNG 268_E	002
SCALE: 5:1		SHEET 1 OF 1

5 4 3 2 1