

Excellent Integrated System Limited

Stocking Distributor

Click to view price, real time Inventory, Delivery & Lifecycle Information:

[Visual Communications Company, LLC](#)

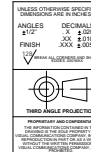
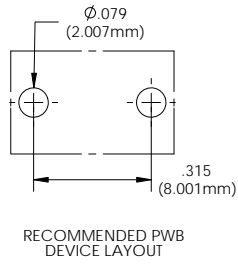
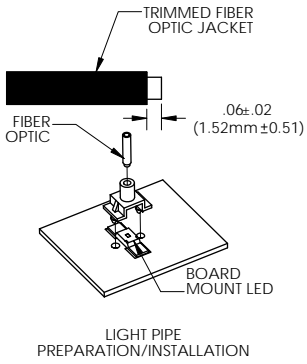
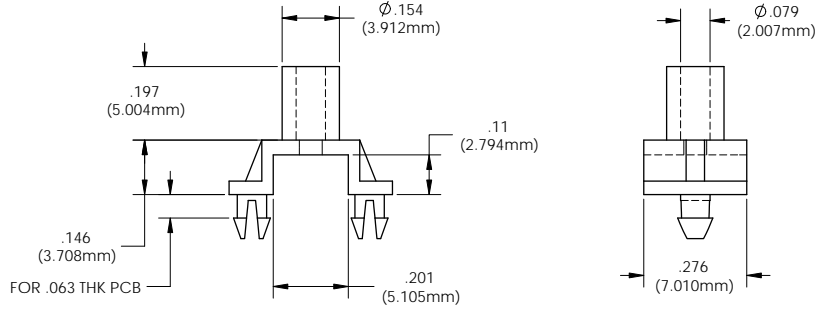
[SMD_22](#)

For any questions, you can email us directly:

sales@integrated-circuit.com

- NOTES
1. ROHS COMPLIANT
 2. -40°C TO 85°C OPERATING TEMPERATURE
 3. SUITABLE FOR LIGHT PIPE WITH $\varnothing 2.2\text{MM}$ JACKET AND OPTICAL CORE NO GREATER THAN $\varnothing 1.5\text{MM}$.
 4. DO NOT INSTALL PRIOR TO SOLDERING
 5. FOR BEST RESULTS USE ONLY NARROW VIEWING ANGLE NON-DIFFUSED LEDS WITH OUTPUT POWER GREATER THAN 100mcd

REVISIONS				
ECN #	REV	DESCRIPTION	DATE	INITIALS
177	001	INITIAL RELEASE	8/3/10	KH
200	002	REVISED PER ECR 100610KH010	10/6/10	KH



MATERIAL		NYLON 6/6, BLACK UL 94V2	
FINISH			
SEE NOTES			
APPROVAL	DATE		
DRAWN KH	8/3/10		
CHECKED DPZ	8/10/10		
DO NOT SCALE DRAWING			

VISUAL COMMUNICATIONS COMPANY, INC. 190 Bostwick Boulevard, Suite 101 San Marcos, CA 92069 USA Phone: (760) 950-1300 Fax: (760) 950-1301 email: vccsales@vcc.com			
TITLE: SURFACE MOUNT LED MOUNT			
SIZE	DWG. NO.	REV	
B	SMD 22	002	
SCALE: 4:1		SHEET 1 OF 1	