

Excellent Integrated System Limited

Stocking Distributor

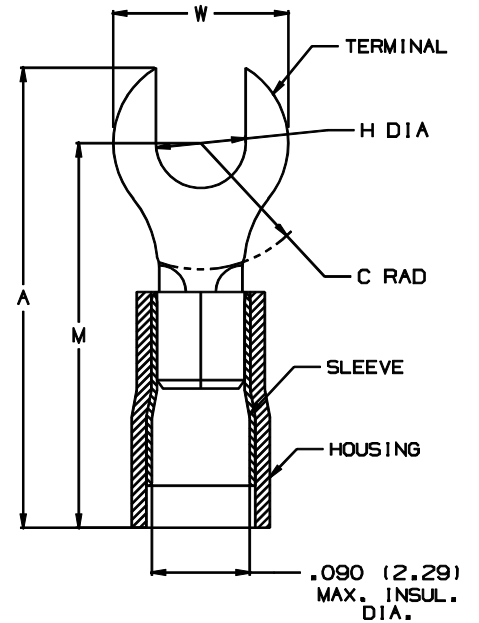
Click to view price, real time Inventory, Delivery & Lifecycle Information:

[Panduit](#)
[PN22-2F-C](#)

For any questions, you can email us directly:
sales@integrated-circuit.com

THIS COPY IS PROVIDED ON A RESTRICTED BASIS AND IS NOT TO BE USED IN ANY WAY DETRIMENTAL TO THE INTERESTS OF PANDUIT CORP.

PART NUMBER	STUD SIZE	WIRE RANGE AWG	DIMENSIONS (in.)				
			A ±.03	W ±.01	C ±.01	M ±.02	H ±.02
PN22-2F	#2	#26-22	.66 (16.76)	.20 (5.08)	.19 (4.85)	.56 (14.22)	.09 (2.28)



NOTES

- RECOMMENDED FOR:
 - A. 300V MAX. VOLTAGE RATING
 - B. #26-22 AWG SOLID OR STRANDED COPPER WIRE
 - C. 221°F (105°C) MAX TEMP. RATING
- MATERIAL:
 - A. STAMPING: .020 (0.51) THK COPPER, TIN PLATED.
 - B. HOUSING: YELLOW NYLON
 - C. SLEEVE: TIN PLATED BRASS
- PACKAGE QUANTITY: -C = 100
-M = 1000
- DIMENSIONS IN BRACKETS ARE IN MILLIMETERS
- INSTALLATION TOOLS: CT-520, CT-1525
- WIRE STRIP LENGTH : 3/16 ^{+1/32}/₀ (4.76 ^{+0.8}/₀)

A41234_01

										PANDUIT CORP.		TINLEY PARK, ILLINOIS				
01		JKD		ADDED CT-1525 TOOL							#26-22 BARREL NYLON INSULATED FORK					
00	7/97	TM	RLS	RELEASED				06083	LCA	RM						
REV	DATE	BY	CHK	DESCRIPTION				ECN #	QA	CUST	PM	APP	DRAWN BY	CHK'D	SCALE	DRAWING NO.
													T SMA	RLS	NONE	A41234