

## Excellent Integrated System Limited

Stocking Distributor

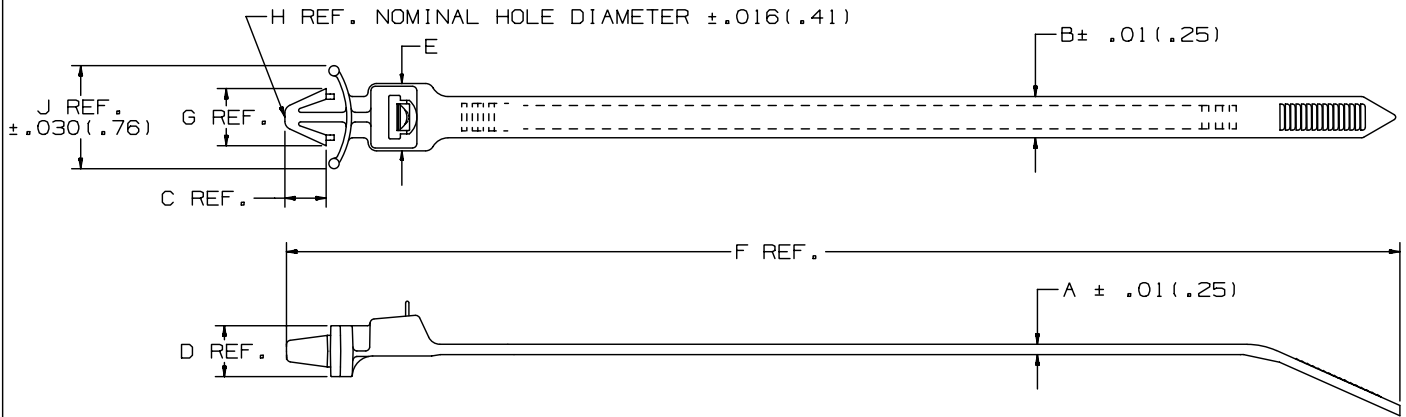
Click to view price, real time Inventory, Delivery & Lifecycle Information:

[Panduit](#)  
[PRWP2H-TL](#)

For any questions, you can email us directly:

[sales@integrated-circuit.com](mailto:sales@integrated-circuit.com)

THIS COPY IS PROVIDED ON A RESTRICTED BASIS AND IS NOT TO BE USED IN ANY WAY DETRIMENTAL TO THE INTERESTS OF PANDUIT CORP.



PANDUIT PART NO. *	BUNDLE DIA.		A	B	C	D	E	F	G	H	J	MAX. PANEL THICKNESS	MIN. LOOP TENSILE	CROSS SECTION	WEIGHT
	MIN. in (mm)	MAX. in (mm)													
PRWP2H	.188 (4.8)	2.00 (50.8)	.075 (1.9)	.300 (7.6)	.300 (7.6)	.370 (9.4)	.480 (12.2)	8.9 (226)	.416 (10.6)	.266 (6.8)	.740 (18.8)	.105 (2.7)	120 (534)	HEAVY	.86 (390)

NOTE:

\* 1) SEE CURRENT PRICE SHEET FOR PART NUMBER SUFFIX DESIGNATION FOR PACKAGE SIZE AND PART COLOR.

DIMENSIONS IN PARENTHESIS ARE IN METRIC UNITS											
CORP. TINLEY PARK, ILLINOIS RELEASABLE WING PUSH MOUNT TIE PRWP2H											
UNLESS OTHERWISE SPECIFIED, DIMENSIONAL TOLERANCES ARE: (.X) ± .1 (.25) (.XXX) ± .020 (.51) (.XX) ± .02 (.5) ANGLES ± -----											
UNLESS OTHERWISE SPECIFIED, ALL DIMENSIONS ARE GIVEN IN INCHES, THIRD ANGLE PROJECTION.											
DRAWN BY: RAM DATE: 7-28-93 CHK'D: HVP											
MAT'L: NYLON 6/6											
SCALE: .8:1											
DRAWING NO. SS-26837 DWG SIZE: A											
4	1/29/04	JABO	CHANGED FORMAT FOR CONSISTENCY SEE ECN FOR DETAILS				26837	4			
REV	DATE	BY	CHK	DESCRIPTION			ECN	R	CUST	SUP	