

Excellent Integrated System Limited

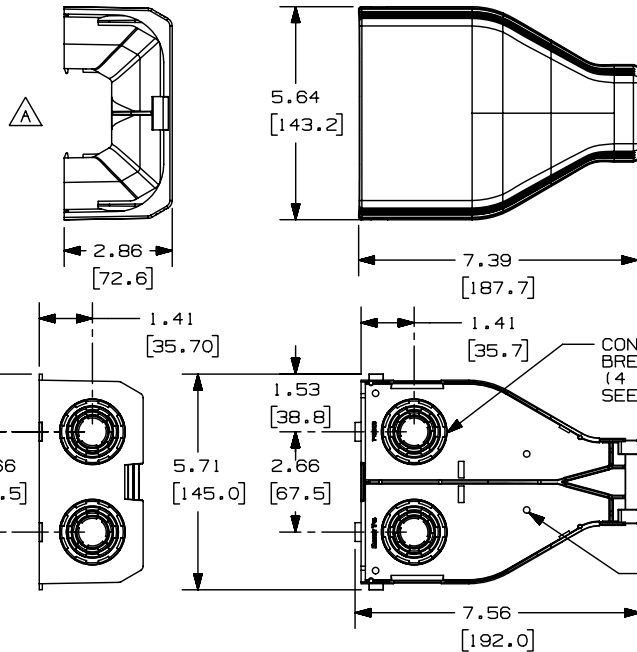
Stocking Distributor

Click to view price, real time Inventory, Delivery & Lifecycle Information:

[Panduit](#)
[T45EEEI](#)

For any questions, you can email us directly:
sales@integrated-circuit.com

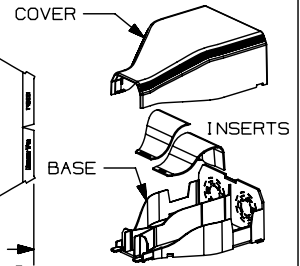
THIS COPY IS PROVIDED ON A RESTRICTED BASIS AND IS NOT TO BE USED IN ANY WAY DETRIMENTAL TO THE INTERESTS OF PANDUIT CORP.



PANDUIT P/N	WEIGHT
T45EE	8.0 LB/10 PCS (3635 g/10 PCS)

NOTES:

- SEE CURRENT CATALOG FOR ADDITIONAL PART SUFFIXES TO INDICATE COLOR AND OR PACKAGE QUANTITY.
- CONCENTRIC BREAKOUTS TO ACCOMMODATE CONDUIT SIZES OF 1/2", 3/4", 1, AND 1 1/4" DIAMETERS.
- BREAKOUTS FOR MAINTAINING POWER AND DATA ENTRY SEPARATION.
- THIS PRODUCT INTENDED TO BE USED WITH PANDUIT TYPE T-45 RACEWAY.
- DIMENSIONS IN PARENTHESES ARE IN METRIC.



CAD FILENAME/LAYERS D36975EG_DC_T45EE_01A.PRT

PANDUIT CORP. TINLEY PARK, ILLINOIS
T-45 ENTRANCE END FITTING
(T45EE)
CUSTOMER DRAWING

UNLESS OTHERWISE SPECIFIED,
DIMENSIONAL TOLERANCES ARE:
(.X) ± .005
(.XX) ± .010 ANGLES ± 1°

UNLESS OTHERWISE SPECIFIED,
ALL DIMENSIONS ARE GIVEN
IN INCHES, THIRD ANGLE PROJECTION.

REV	DATE	BY	CHK	DESCRIPTION	ECN	R	CUST	SUP
I	02-13-04	JBN	PM	A. REVISED DRAWING LAYOUT; ADDED VIEW AND DIMENSION	36975-71	RGRO	RGRO	
R	11-29-99	RABO	HIW	RELEASED TO PRODUCTION	36975-71	HIW	HIW	

DRAWN BY RABO	MAT'L: SEE NOTES ABOVE
DATE 11-29-99	
CHK'D KJF	

SCALE FULL
DRAWING NO. 36975-71
DWG SIZE A