

Excellent Integrated System Limited

Stocking Distributor

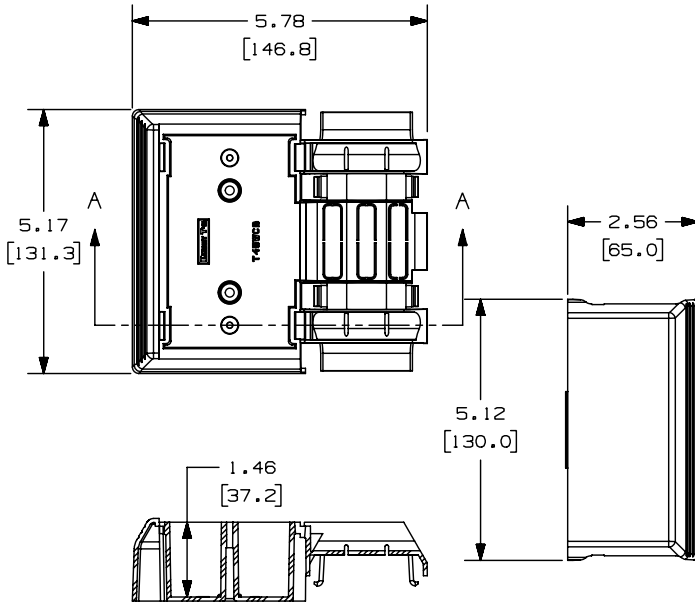
Click to view price, real time Inventory, Delivery & Lifecycle Information:

[Panduit](#)
[T45WCEI](#)

For any questions, you can email us directly:

sales@integrated-circuit.com

THIS COPY IS PROVIDED ON A RESTRICTED BASIS AND IS NOT TO BE USED IN ANY WAY DETRIMENTAL TO THE INTERESTS OF PANDUIT CORP.

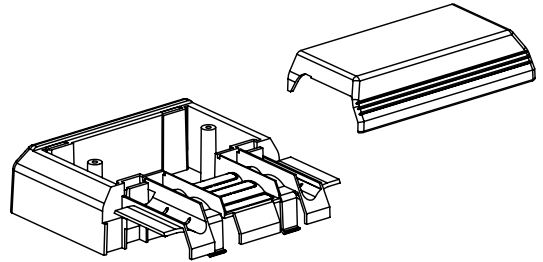


SECTION A-A \triangle

PANDUIT P/N	WEIGHT
T45WC	3.52 LB/10 PCS (1600 g/10 PCS)

NOTES:

1. SEE CURRENT CATALOG FOR ADDITIONAL PART SUFFIXES TO INDICATE COLOR AND OR PACKAGE QUANTITY.
2. ACCEPTS PANDUIT SCREW-ON TYPE FACEPLATES.
3. DIMENSIONS IN PARENTHESIS ARE IN METRIC.



CAD FILENAME/LAYERS D36975EF_DC_T45WOC_00C.prt

PANDUIT CORP. TINLEY PARK, ILLINOIS
 T-45 WORKSTATION OUTLET CENTER (T45WC)
 CUSTOMER DRAWING

UNLESS OTHERWISE SPECIFIED, DIMENSIONAL TOLERANCES ARE:
 (.X) ± (.XXX) ±
 (.XX) ±.03(.8) ANGLES ±

UNLESS OTHERWISE SPECIFIED, ALL DIMENSIONS ARE GIVEN IN INCHES, THIRD ANGLE PROJECTION.

REV	DATE	BY	CHK	DESCRIPTION	ECN	CHK	CUST	SUP
2	07-20-00	MSO	BKR	B. ADDED SECTION A-A TO SHOW INSIDE DEPTH OF W.O.C.	36975-72	HIW	HIW	
1	03-15-00	MSO	BKR	A. SCREW-ON WAS SNAP-ON.	36975-72	HIW	HIW	
R	11-30-99	RABO	HIW	RELEASED TO PRODUCTION.	36975-72	HIW	HIW	

DRAWN BY	RABO	MAT'L	PVC	SCALE	NONE
DATE	11-30-99	DWG NO.	36975-72	DWG SIZE	A
CHECKED BY	HIW				