

Excellent Integrated System Limited

Stocking Distributor

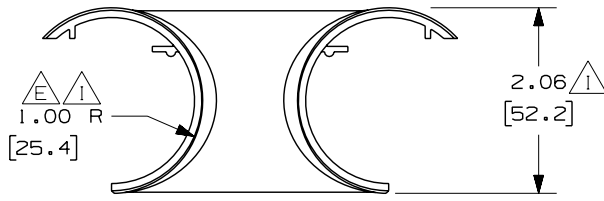
Click to view price, real time Inventory, Delivery & Lifecycle Information:

[Panduit](#)
[TRC2BL](#)

For any questions, you can email us directly:

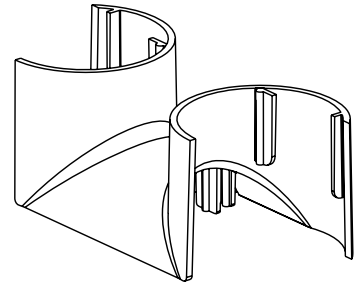
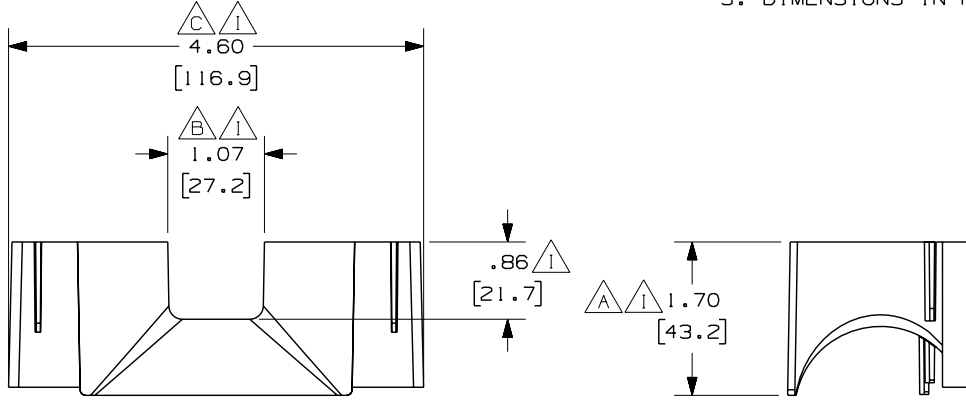
sales@integrated-circuit.com

THIS COPY IS PROVIDED ON A RESTRICTED BASIS AND IS NOT TO BE USED IN ANY WAY DETRIMENTAL TO THE INTERESTS OF PANDUIT CORP.



NOTES:

1. SEE CURRENT CATALOG FOR ADDITIONAL PART SUFFIXES TO INDICATE PACKAGE QUANTITY.
2. THE FIBER-DUCT 2x2 AND PANDUCT FS AND G 2x2 WIRING DUCT BEND RADIUS CONTROL TRUMPET ALLOWS FOR CABLES TO SPILL OUT OF THE FIBER-DUCT 2x2 AND PANDUCT TYPES FS AND G 2x2 WIRING DUCT WHILE MAINTAINING A 1" (25.4) BEND RADIUS.
3. DIMENSIONS IN PARENTHESES ARE IN METRIC.



ENG. REF.: D37275BB_DC_TRC2BL_02.prt

CAD FILENAME/LAYERS		F TRC2BL.pdf	
PANDUIT CORP TINLEY PARK, ILLINOIS			
FIBER-DUCT 2x2 AND PANDUCT FS AND G 2x2 WIRING DUCT BEND RADIUS CONTROL TRUMPET (TRC2BL) CUSTOMER DRAWING			
UNLESS OTHERWISE SPECIFIED, DIMENSIONAL TOLERANCES ARE: (.X) ± (XXX) ± (.XX) ±.03 (.8) ANGLES ±		UNLESS OTHERWISE SPECIFIED, ALL DIMENSIONS ARE GIVEN IN INCHES, THIRD ANGLE PROJECTION.	
DRAWN BY: MSO	MAT'L: ABS	SCALE: NONE	DWG SIZE: A
DATE: 1-31-00	CHK'D: JKG	DRAWING NO.: 37275-02	

REV	DATE	BY	CHK	DESCRIPTION	ECN	R	CUST	SUP	GMBH
3	7-21-06	DTP	RN	J. REVISED PART WEIGHT	37275-02	RN	RN		
-	-----	---	---	I. REVISED DIMENSIONS. H. REVISED GENERAL NOTES.	-----	--	--		
2	10-13-05	MSO	SMF	G. REVISED DRAWING TITLE. F. REVISED CAD FILENAME.	37275-02	RN	RN		
-	-----	---	---	E. DIMENSION WAS 1.0 (25).	-----	---	---		
-	-----	---	---	D. DIMENSION WAS 0.1 (3). C. DIMENSION WAS 4.6 (117).	-----	---	---		
1	10-11-00	JBN	JKG	B. DIMENSION WAS 1.0 (27). A. DIMENSION WAS 1.6 (41).	37275-02	HIW	HIW		
R	1-31-00	MSO	JKG	RELEASED TO PRODUCTION	37275-02	HIW	HIW		