

Excellent Integrated System Limited

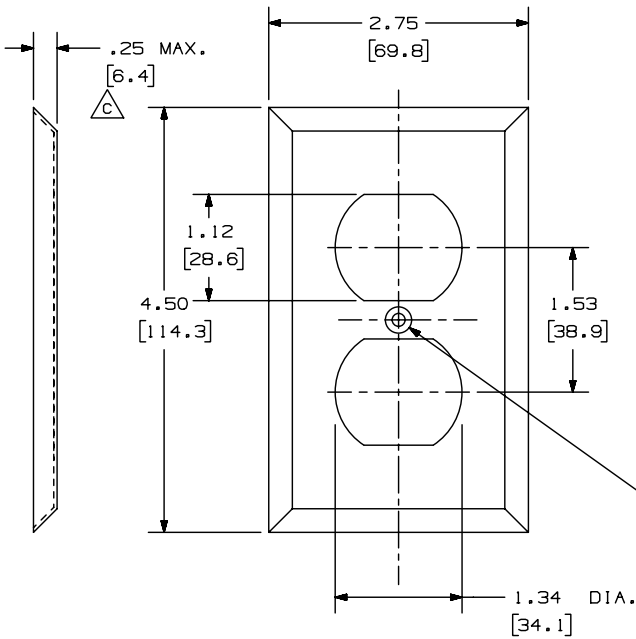
Stocking Distributor

Click to view price, real time Inventory, Delivery & Lifecycle Information:

[Panduit](#)
[WPS-20](#)

For any questions, you can email us directly:
sales@integrated-circuit.com

THIS COPY IS PROVIDED ON A RESTRICTED BASIS AND IS NOT TO BE USED IN ANY WAY DETRIMENTAL TO THE INTERESTS OF PANDUIT CORP.



PANDUIT P/N	WEIGHT
WPS-20	1.15 LB/10 PCS (525 g/10 PCS)

- NOTES:
1. SEE CURRENT CATALOG FOR ADDITIONAL PART NUMBER SUFFIXES TO INDICATE COLOR AND OR PACKAGE QUANTITY.
 2. BRUSH FINISH.
 3. ONE #6 X 32 - 1/2" LONG SCREW PROVIDED FOR FASTENING WALLPLATE.
 4. DIMENSIONS IN PARENTHESES ARE IN METRIC.

C'SK FOR #6-32 X 1/2" OVAL HEAD SCREW

CAD FILENAME/LAYERS WCPGO-WALLPLATE-2_02.PRT (16)

PANDUIT CORP. TINLEY PARK, ILLINOIS

WPS-20 WALLPLATE FOR SINGLE GANG
DUPLEX RECEPTACLE CUSTOMER DRAWING

UNLESS OTHERWISE SPECIFIED, DIMENSIONAL TOLERANCES ARE:
(.X) ± (.XXX) ± .010
(.XX) ± .020 ANGLES ±

UNLESS OTHERWISE SPECIFIED, ALL DIMENSIONS ARE GIVEN IN INCHES, THIRD ANGLE PROJECTION.

REV	DATE	BY	CHK	DESCRIPTION	ECN	CHK	CUST	SUP
2	09-22-96	JBA	CEF	C. REV'D METRIC DIMENSION: WAS .2. B. REV'D NOTES TO CURRENT STANDARD.	34046-24	CEF	CEF	
1	11-07-96	JBA	CEF	A. REV'D NOTE #3: CONTAINS ONE SCREW.	34046-24	CEF		
R	10-29-87	LDB	WJB	RELEASED TO PRODUCTION.	34046-24	WJB		

DRAWN BY L. BENTZ	MAT'L: .030" THICK STAINLESS STEEL	SCALE NONE	DWG NO. 34046-24	DWG SIZE A
----------------------	--	---------------	------------------------	------------------