

Excellent Integrated System Limited

Stocking Distributor

Click to view price, real time Inventory, Delivery & Lifecycle Information:

[Panduit](#)
[WPS-202](#)

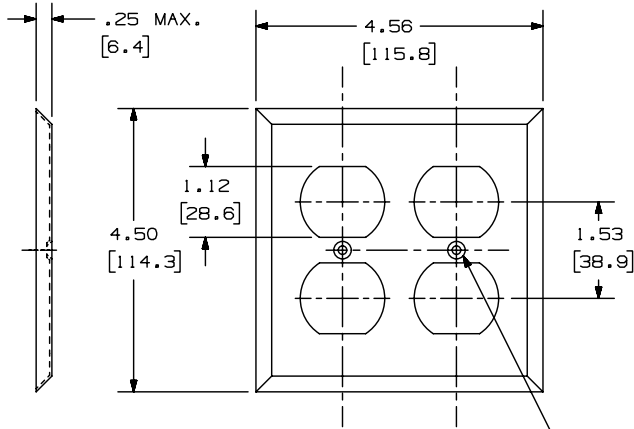
For any questions, you can email us directly:
sales@integrated-circuit.com

THIS COPY IS PROVIDED ON A RESTRICTED BASIS AND IS NOT TO BE USED IN ANY WAY DETRIMENTAL TO THE INTERESTS OF PANDUIT CORP.

PANDUIT P/N	WEIGHT
WPS-202	2.0 LB/10 PCS (910 g/10 PCS)

NOTES:

1. SEE CURRENT CATALOG FOR ADDITIONAL PART NUMBER SUFFIXES TO INDICATE COLOR AND OR PACKAGE QUANTITY.
2. BRUSH FINISH.
3. TWO #6 X 32 X 1/2" OVAL HEAD SCREWS PROVIDED FOR FASTENING WALLPLATE.
4. DIMENSIONS IN PARENTHESES ARE IN METRIC.



C'SK FOR #6 - 32 X 1/2"
OVAL HEAD SCREW

CAD FILENAME/LAYERS MO0142BP_DC_00A.PRT

PANDUIT CORP. TINLEY PARK, ILLINOIS

WPS-202 WALL PLATE FOR 2 GANG
TWO DUPLEX RECEPTACLE CUSTOMER DRAWING

UNLESS OTHERWISE SPECIFIED,
DIMENSIONAL TOLERANCES ARE:
(.X) ± (.XXX) ± .010(.3)
(.XX) ± .03(.8) ANGLES ±

UNLESS OTHERWISE SPECIFIED,
ALL DIMENSIONS ARE GIVEN
IN INCHES, THIRD ANGLE PROJECTION.

DRAWN BY JBA

MAT'L: .030" THICK STAINLESS STEEL

SCALE NONE

DATE 9-22-98

CHECKED BY CEF

DRAWING NO. 00142-18

DWG SIZE A

REV	DATE	BY	CHK	DESCRIPTION	ECN	CHK	CUST	SUP
R	9-22-98	JBA	CEF	RELEASED TO PRODUCTION.	00142-18	CEF	CEF	