

## Excellent Integrated System Limited

Stocking Distributor

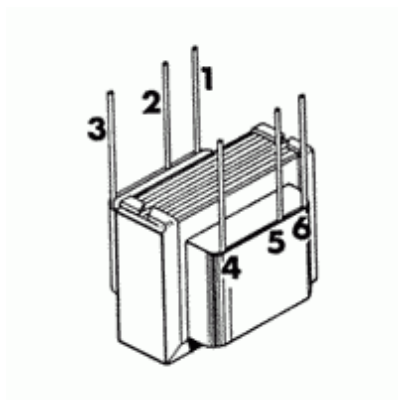
Click to view price, real time Inventory, Delivery & Lifecycle Information:

[Hammond Manufacturing  
611B](#)

For any questions, you can email us directly:

[sales@integrated-circuit.com](mailto:sales@integrated-circuit.com)

## Pulse Open Frame P.C. Board Mount *611 Series*



### Features

- Economical, open style, P. C. board pin mount
- Units are intended for pulse applications including thyristor / triac firing circuits.

### Gallery



Part No.	Circuit Max. Ratio	Primary ET Constant V	Primary Inductance (mH (min))	D.C. Res. (Ohms)	D.C. Winding Resistance		Max. Primary or Secondary Peak Current		Insulation RMS (Volts)	Wt. Oz.	
					Sec. 1 (Ohms)	Sec. 2 (Ohms)	@ 10% Duty	@ 1% Duty			
611A	1:1	125	1400	8.6	0.45	0.55	-	0.7 A	2.1 A	1000	0.7
611B	1:1	125	1400	17.2	1.26	1	1.53	0.7 A	2.1 A	1000	0.7
611C	1:1	250	7250	56	3.31	4.46	-	0.7 A	2.1 A	1500	1.2
611D	1:1	250	4000	17	1.73	1.31	2.12	0.7 A	2.1 A	1500	1.2

### Mechanical & Schematic Data

Part No.	Pin Spacing	Height	Width	Coil		Mounting Tab		
				Depth	Centers	Size		
611A & 611B	0.20 x 0.60	0.69	0.82	0.57	-	-	x	-
611C & 611D	0.20 x 0.60	0.82	1.06	0.82	1.00	0.12	x	0.25

Data subject to change without notice