



Distributor of Molex Connector Corporation: Excellent Integrated System Limited
Datasheet of 0476100001 - Connector Receptacle USB micro B 5 Position Surface Mount,
Right Angle, Horizontal

Contact us: sales@integrated-circuit.com Website: www.integrated-circuit.com

Excellent Integrated System Limited

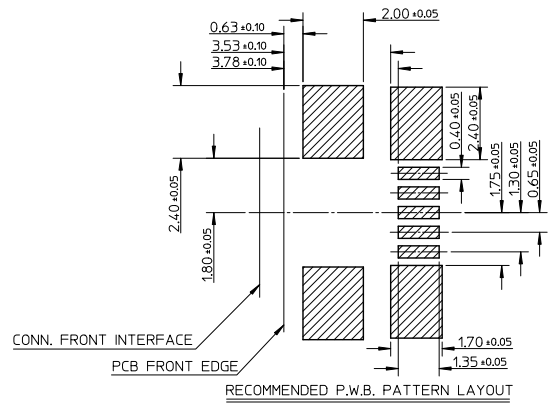
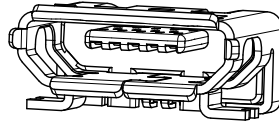
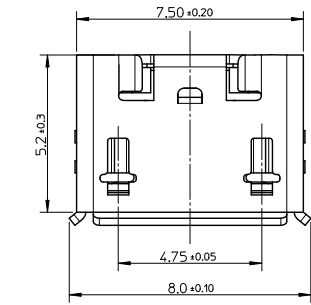
Stocking Distributor

Click to view price, real time Inventory, Delivery & Lifecycle Information:

[Molex Connector Corporation](#)
[0476100001](#)

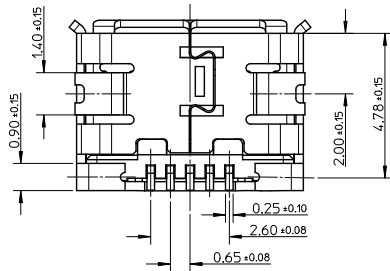
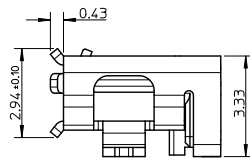
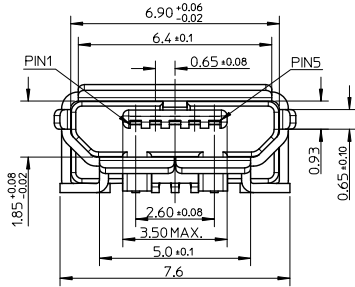
For any questions, you can email us directly:
sales@integrated-circuit.com

Contact us: sales@integrated-circuit.com Website: www.integrated-circuit.com



NOTES:

- MATERIAL:**
HOUSING: LCP, BLACK, UL94V-0,
TERMINAL: COPPER ALLOY, THICKNESS: 0.15mm,
SHELL: STAINLESS STEEL, THICKNESS: 0.30mm.
- PLATING:**
TERMINAL: CONTACT AREA: GOLD 0.76 MICRON MINIMUM,
SOLDER TAIL AREA: GOLD FLASH,
UNDER PLATING: NICKEL 2.0 MICROMN MINIMUM,
SHELL: MATTE TIN 1.27 MICRON MINIMUM FOR SOLDER TAIL AREA,
UNDER PLATING: NICKEL 1.27 MICRON MINIMUM.
- TAIL COPLANARITY 0.08mm MAXIMUM.**
- PRODUCT SPECIFICATION: PS-47642-001.**
- PACKAGE SPECIFICATION: PK-47610-001.**
- COMPLIANT TO RoHS DIRECTIVE 2002/95/EC AND ELV 2000/53/EC.**



NEW RELEASE EC NO: SH2012-0333 DRAWN: XQZHANG 2012/04/09 CHKD: XQZHANG 2012/04/09 APPR: AYIN 2012/04/10	QUALITY SYMBOLS ∇=0 ∇=0 ∇=0	GENERAL TOLERANCES (UNLESS SPECIFIED)		DIMENSION STYLE MM ONLY		SCALE 8:1	DESIGN UNITS METRIC	THIRD ANGLE PROJECTION	
		4 PLACES ± --- ± ---	3 PLACES ± --- ± ---	2 PLACES ± 0.25 ± ---	1 PLACE ± 0.25 ± ---	0 PLACE ± ±	DRAWN BY XQZHANG	DATE 2012/03/09	TITLE MICRO USB B REC. BOTTOM MOUNT ASS'Y
		ANGULAR ± 3°		DRAFT WHERE APPLICABLE MUST REMAIN WITHIN DIMENSIONS		MATERIAL NO. 47610-0001	APPROVED BY AYIN	DATE 2012/04/10	DOCUMENT NO. SD-47610-001
		SIZE A3		THIS DRAWING CONTAINS INFORMATION THAT IS PROPRIETARY TO MOLEX INCORPORATED AND SHOULD NOT BE USED WITHOUT WRITTEN PERMISSION					