

Excellent Integrated System Limited

Stocking Distributor

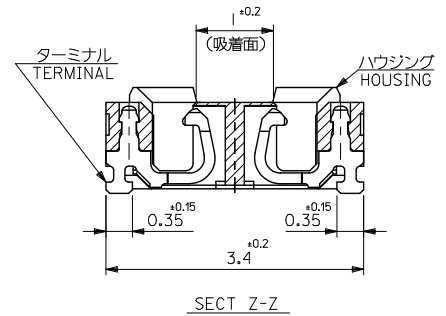
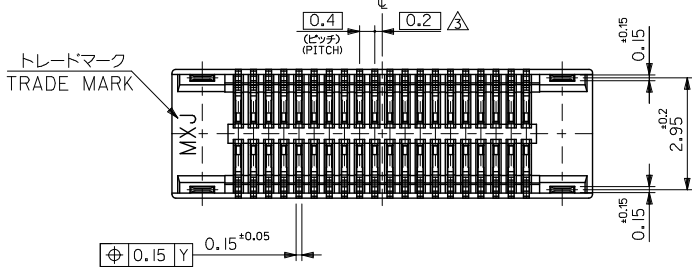
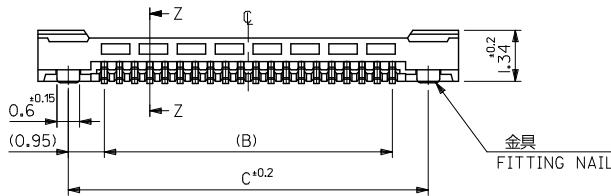
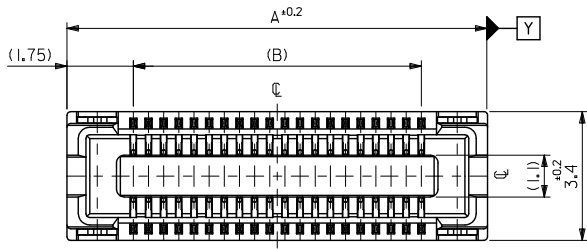
Click to view price, real time Inventory, Delivery & Lifecycle Information:

[Molex Connector Corporation](#)
[0513381674](#)

For any questions, you can email us directly:

sales@integrated-circuit.com

10 9 8 7 6 5 4 3 2 1

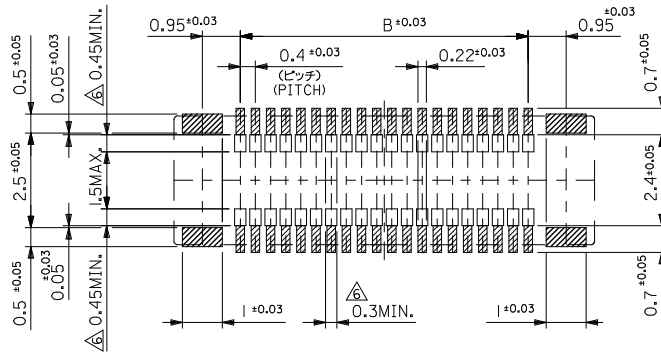


21.5	19.6	23.1	51338-1074	100
19.5	17.6	21.1	51338-0974	90
17.5	15.6	19.1	51338-0874	80
15.5	13.6	17.1	51338-0774	70
13.5	11.6	15.1	51338-0674	60
11.5	9.6	13.1	51338-0574	50
9.5	7.6	11.1	51338-0474	40
8.3	6.4	9.9	51338-3474	34
7.5	5.6	9.1	51338-0374	30
6.7	4.8	8.3	51338-2674	26
6.3	4.4	7.9	51338-2474	24
5.9	4.0	7.5	51338-2274	22
5.5	3.6	7.1	51338-0274	20
4.7	2.8	6.3	51338-1674	16
3.9	2.0	5.5	51338-9974	12
C	B	A	EMBOSSED TAPE PKG. ORDER No. オーダー番号	CKT.
CONNECTOR SERIES No.			51338-***9	

REVISED EC NO.: J2013-0254 DRAWN BY: CHIKO-TASAKAWA CHECKED BY: CHIKO-TASAKAWA APPR: TASAKAWA 2012/08/28 2012/08/28 2012/08/31	GENERAL TOLERANCES (UNLESS SPECIFIED)		DIMENSION STYLE MM ONLY	SCALE ---	DESIGN UNITS METRIC	THIRD ANGLE PROJECTION
	10 UNDER	±---	DRAWN BY M. NINOMIYA	DATE 2004/03/17	TITLE 0.4 B-TO-B REC ASSY HGT=1.5 J-BEND TAIL -LEAD FREE-	
	10 OVER	±---	CHECKED BY K. TOJO	DATE 2004/03/17		
	30 OVER	±---	APPROVED BY M. SASAO	DATE 2004/03/17		
ANGULAR	±---	MATERIAL NO.		DOCUMENT NO.	SHEET NO.	
DRAFT WHERE APPLICABLE MUST REMAIN WITHIN DIMENSIONS		SEE CHART		SD-51338-003		1 OF 2
THIS DRAWING CONTAINS INFORMATION THAT IS PROPRIETARY TO MOLEX INCORPORATED AND SHOULD NOT BE USED WITHOUT WRITTEN PERMISSION						

9 8 7 6 5 4 3 2

10 9 8 7 6 5 4 3 2 1



参考基板レイアウト (マウント面)
P.C.BOARD PATTERN DIMENSION, (REFERENCE)
(MOUNTING AREA)

注記 NOTES:

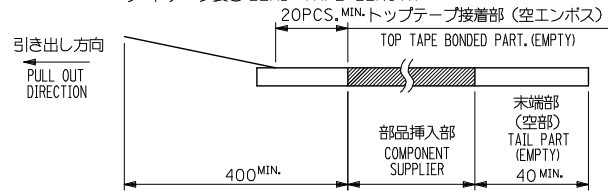
- 使用材料 MATERIAL
ハウジング: 液晶ポリマー (LCP) ガラス充填 UL94V-0 (黒)
HOUSING: LIQUID CRYSTAL POLYMER/ GLASS FILLED
UL94V-0 (COLOR: BLACK)
ターミナル: リン青銅 (t=0.15)
TERMINAL: PHOSPHOR BRONZE (t=0.15)
金具: リン青銅 (t=0.15)
FITTING NAIL: PHOSPHOR BRONZE (t=0.15)
 - メッキ仕様 PLATING
ターミナル TERMINAL
金メッキ 0.2マイクロメートル以上 (コンタクト部)
GOLD 0.2MICROMETER MINIMUM (CONTACT AREA)
金メッキ 0.4マイクロメートル以下 (テール部)
GOLD 0.4MICROMETER MAXIMUM (TAIL AREA)
下地メッキ: ニッケルメッキ 1.5マイクロメートル以上
UNDER PLATING: NICKEL 1.5MICROMETER MINIMUM
*コンタクト部とテール部はニッケルメッキによって分断されている金メッキです。
DIVIDE INTO PARTS THE GOLD PLATING OF THE CONTACT AND THE TAIL PART BY THE NICKEL PLATING.
金具 FITTING NAIL
錫メッキ 1.0 マイクロメートル以上
TIN PLATING 1.0 MICROMETER MINIMUM
下地メッキ: ニッケルメッキ 1.0 マイクロメートル以上
UNDER PLATING: NICKEL 1.0 MICROMETER MINIMUM
- △ (全極数/2) = 偶数の場合に適用。
APPLY FOR (CIRCUIT/2)=EVEN.
- 嵌合相手: 55909シリーズ
MATE WITH: 55909 SERIES.
 - テール平坦度は、0.08以下
テール及び金具の平坦度は、0.1以下
TAIL COPLANARITY TO BE 0.08MAXIMUM
TAIL AND FITTING NAIL COPLANARITY TO BE 0.1MAXIMUM
 - 同一回路以外の/パターン書き込み禁止範囲を示す。
NO PRINT CIRCUIT AREA OTHER THAN THE SAME CIRCUIT.
 - 本製品は 51338-***3 の鉛フリー品である。
THIS PRODUCT IS LEAD FREE OF 51338-***3.

SEE SHEET 1 OF 2 EC NO. J2013-0254 DRAWN BY: DRWANKOTOYODA 2012/08/28 CHKD: TASHIKAWA 2012/08/28 APPR: TASHIKAWA 2012/08/31	GENERAL TOLERANCES (UNLESS SPECIFIED)		DIMENSION STYLE		51338-***9		MODEL NO.
			MM ONLY		SCALE	DESIGN UNITS	THIRD ANGLE PROJECTION
					---	METRIC	
					0.4 B-TO-B REC ASSY HGT=1.5 J-BEND TAIL -LEAD FREE-		
DRAWN BY: M.NINOMIYA 2004/03/17 CHECKED BY: K.TOJO 2004/03/17 APPROVED BY: M.SASAO 2004/03/17		DRAFT WHERE APPLICABLE MUST REMAIN WITHIN DIMENSIONS		MATERIAL NO.		DOCUMENT NO.	SHEET NO.
				SEE SHEET 1		SD-51338-003	2 OF 2
				THIS DRAWING CONTAINS INFORMATION THAT IS PROPRIETARY TO MOLEX INCORPORATED AND SHOULD NOT BE USED WITHOUT WRITTEN PERMISSION			

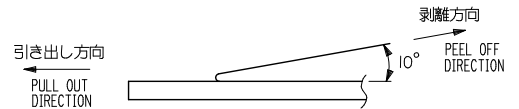
9 8 7 6 5 4 3 2

NOTES

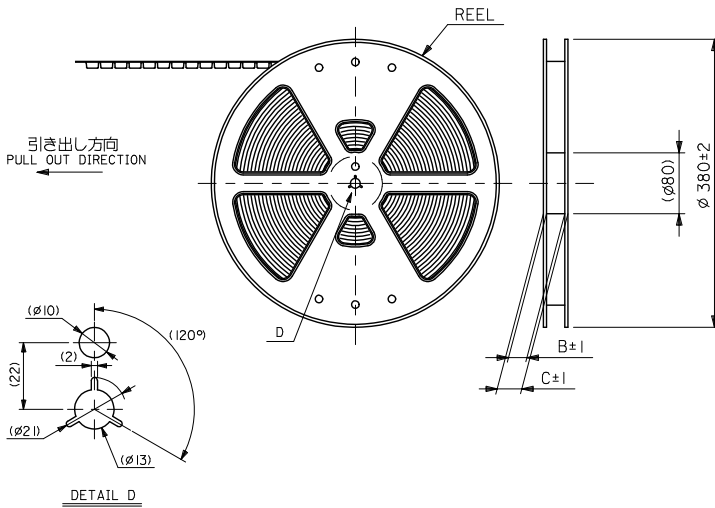
- 製品詳細寸法については製品単体図面を参照下さい。
RE DETAILED DIMENSION, SEE PRODUCT DRAWING.
- 梱包数量: 2500個/リール
NUMBER OF CONNECTORS : 2500PCS/REEL
- リードテープ長さ LEAD TAPE LENGTH
20PCS, MIN. トップテープ接着部 (空エンボス)



- トップテープの剥離強度: 0.1N ~ 1.3N(10gf ~ 130gf)
(剥離方向は下図参照)
尚、本規格値は出荷時に適用。(但し、輸送時に剥離が発生しないこと。)
PEELING OFF FORCE OF TOP TAPE : 0.1N ~ 1.3N(10gf ~ 130gf)
(PEELING DIRECTION AS SHOWN IN FOLLOWING FIG.)
THIS REQUIREMENT SHOULD BE APPLIED AT SHIPMENT.
PEEL OFF SHOULD NOT BE ALLOWED, DURING TRANSPORTATION.



- 材料
キャリアテープ (CARRIER TAPE): ポリプロピレン (POLYPROPYLENE)
トップテープ (TOPTAPE): PET, PE, PEF
リール (REEL): ポリスチレン (PS) <リサイクル材を含む>
POLYSTYRENE (PS) <RECYCLE MATERIAL CONTAINED>
- 本製品は 51338-***4 の鉛フリー品である。
THIS PRODUCT IS LEAD FREE OF 51338-***4.
- ELV 及び RoHS 適合品。
ELV AND RoHS COMPLIANT.



REVISED EC NO: J2013-0254 DRAWN BY: 2012/08/28 CHKD: TASAKAWA 2012/08/28 APPR: TASAKAWA 2012/08/31	GENERAL TOLERANCES (UNLESS SPECIFIED)		DIMENSION STYLE	SCALE	DESIGN UNITS	THIRD ANGLE PROJECTION	
			MM ONLY	---	METRIC		
	DESCRIPTION	10 UNDER	±---	DRAWN BY	DATE	TITLE	0.4 B-T0-B CONN. REC ASSY(HGT=1.5) EMBSTP PKG
		10 OVER	±---	M. NINOMI	2004/03/17		
	30 UNDER	±---	K. TOJO	2004/03/17			
	30 OVER	±---	APPROVED BY	DATE		molex	
	ANGULAR	±---	M. SASAO	2004/03/17			
	DRAFT WHERE APPLICABLE MUST REMAIN WITHIN DIMENSIONS		MATERIAL NO.	DOCUMENT NO.	SHEET NO.		
			SEE CHART	SD-51338-004	1 OF 4		
	THIS DRAWING CONTAINS INFORMATION THAT IS PROPRIETARY TO MOLEX INCORPORATED AND SHOULD NOT BE USED WITHOUT WRITTEN PERMISSION						

10 9 8 7 6 5 4 3 2 1

F

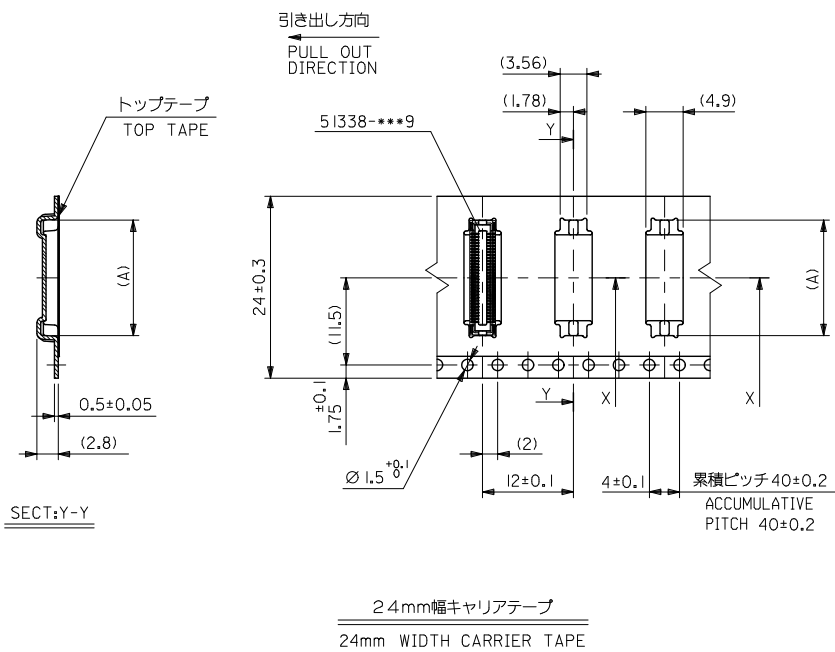
E

D

C

B

A

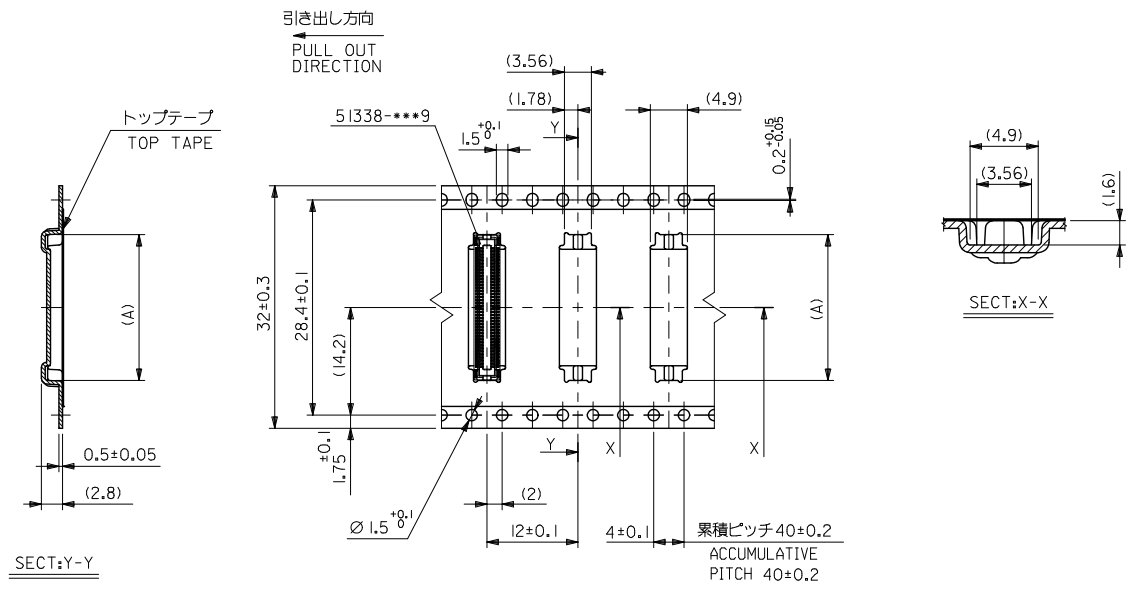


24	29.4	25.4	15.26	51338-0674	60	
			13.26	51338-0574	50	
			11.26	51338-0474	40	
			10.06	51338-3474	34	
			9.26	51338-0374	30	
			8.46	51338-2674	26	
			8.06	51338-2474	24	
			7.66	51338-2274	22	
			7.26	51338-0274	20	
			6.46	51338-1674	16	
5.66	51338-9974	12				
キャリアテープ幅 CARRIER TAPE WIDTH		C	B	(A)	EMBOSSED PACKAGE ORDER NO. オーズ番号	CKT.

SEE SHEET 1 OF 4 EC NO. J2013-0254 DRAWN BY DRWANKYOUDA 2012/08/28 CHKD: TASHIKAWA 2012/08/28 APPR: TASHIKAWA 2012/08/31	GENERAL TOLERANCES (UNLESS SPECIFIED)		DIMENSION STYLE MM ONLY		SCALE ---	DESIGN UNITS METRIC	CONNECTOR SERIES No. 51338-***9
	10 UNDER	±---	DRAWN BY M. NINOMI	DATE 2004/03/17	TITLE 0.4 B-T-O-B CONN. REC ASSY(HGT=1.5) EMBSTP PKG		
	10 OVER	±---	CHECKED BY K. TOJO	DATE 2004/03/17			
	30 OVER	±---	APPROVED BY M. SASAO	DATE 2004/03/17			
	ANGULAR	±---	MATERIAL NO.		DOCUMENT NO.	SHEET NO.	
DRAFT WHERE APPLICABLE MUST REMAIN WITHIN DIMENSIONS		SEE SHEET		SD-51338-004		2 OF 4	
SIZE A3 THIS DRAWING CONTAINS INFORMATION THAT IS PROPRIETARY TO MOLEX INCORPORATED AND SHOULD NOT BE USED WITHOUT WRITTEN PERMISSION							

9 8 7 6 5 4 3 2

10 9 8 7 6 5 4 3 2 1



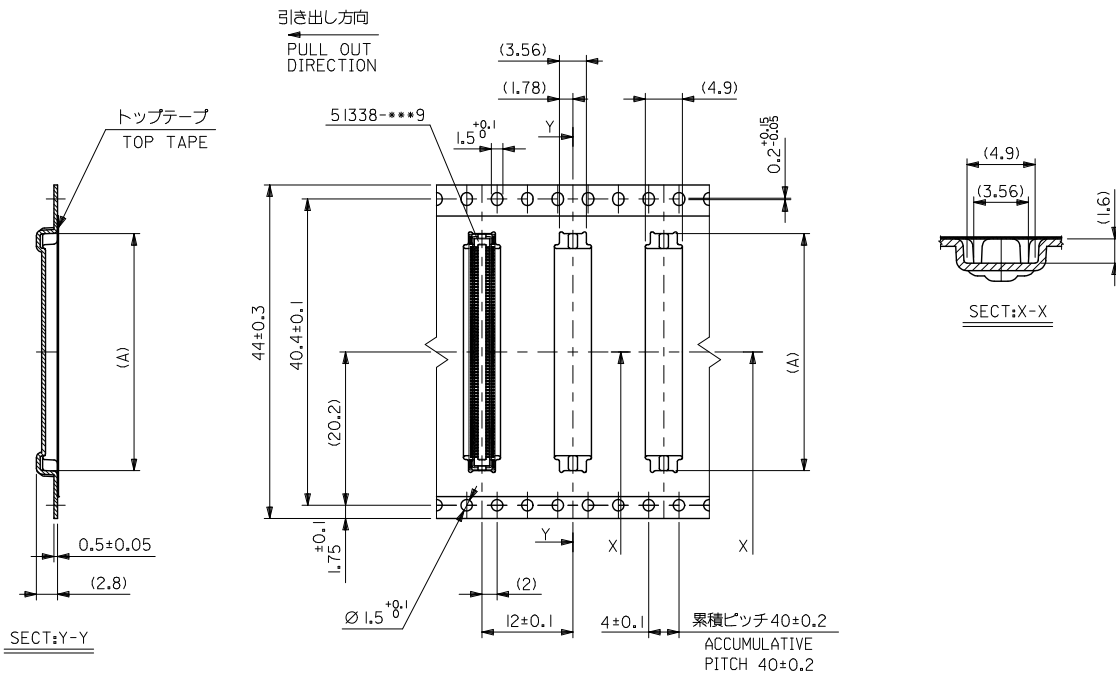
32mm幅キャリアテープ
32mm WIDTH CARRIER TAPE

32	37.4	33.4	21.26	51338-0974	90
			19.26	51338-0874	80
			17.26	51338-0774	70
キャリアテープ幅 CARRIER TAPE WIDTH		C	B	(A)	EMBOSSED PACKAGE ORDER NO. 4-7-88

SEE SHEET 1 OF 4 EC NO. J2013-0254 DRAWN BY DRANKIYODA 2012/08/29 CHECKED BY CHIKO-TASAKAWA 2012/08/29 APPR. BY TASAKAWA 2012/08/31	GENERAL TOLERANCES (UNLESS SPECIFIED)		DIMENSION STYLE		SCALE	DESIGN UNITS	CONNECTOR SERIES No.
	10 UNDER	±---	MM ONLY		---	METRIC	51338-***9
	10 OVER	±---	DRAWN BY DATE		TITLE		
	30 UNDER	±---	M.NINOMI 2004/03/17		0.4 B-T0-B CONN. REC ASSY(HGT=1.5) EMBSTP PKG		
	30 OVER	±---	CHECKED BY DATE		THIRD ANGLE PROJECTION		
ANGULAR	±---	APPROVED BY DATE		molex			
DRAFT WHERE APPLICABLE MUST REMAIN WITHIN DIMENSIONS		MATERIAL NO.		SEE CHART		DOCUMENT NO.	SHEET NO.
		G		A3		SD-51338-004	3 OF 4

9 8 7 6 5 4 3 2

10 9 8 7 6 5 4 3 2 1



4mm幅キャリアテープ
44mm WIDTH CARRIER TAPE

44	49.4	45.4	23.26	51338-1074	100
キャリアテープ幅 CARRIER TAPE WIDTH				C	B
				(A)	CKT.

SEE SHEET 1 OF 4 EC NO. J2013-0254 DRW:KATOYODA 2012/08/28 CHKD:TASAKAWA 2012/08/28 APPR:TASAKAWA 2012/08/31	GENERAL TOLERANCES (UNLESS SPECIFIED)		DIMENSION STYLE	SCALE	DESIGN UNITS	CONNECTOR SERIES No.	51338-***9	
	10 UNDER	±---	MM ONLY	---	METRIC	THIRD ANGLE PROJECTION		
	10 OVER	±---	DRAWN BY	M.NINOMI	DATE	2004/03/17	TITLE	0.4 B-T0-B CONN. REC ASSY(HGT=1.5) EMBSTP PKG
	30 UNDER	±---	CHECKED BY	K.TOJO	DATE	2004/03/17	APPROVED BY	M.SASAO
	30 OVER	±---	APPROVED BY	M.SASAO	DATE	2004/03/17	MATERIAL NO.	SEE CHART
ANGULAR ±---		DRAFT WHERE APPLICABLE MUST REMAIN WITHIN DIMENSIONS		SIZE	A3	DOCUMENT NO.	SD-51338-004	
THIS DRAWING CONTAINS INFORMATION THAT IS PROPRIETARY TO MOLEX INCORPORATED AND SHOULD NOT BE USED WITHOUT WRITTEN PERMISSION							SHEET NO.	4 OF 4

9 8 7 6 5 4 3 2 1