

## Excellent Integrated System Limited

Stocking Distributor

Click to view price, real time Inventory, Delivery & Lifecycle Information:

[Molex Connector Corporation](#)  
[0733660022](#)

For any questions, you can email us directly:

[sales@integrated-circuit.com](mailto:sales@integrated-circuit.com)

MATERIALS AND FINISHES

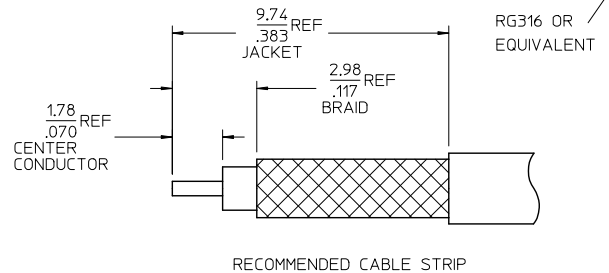
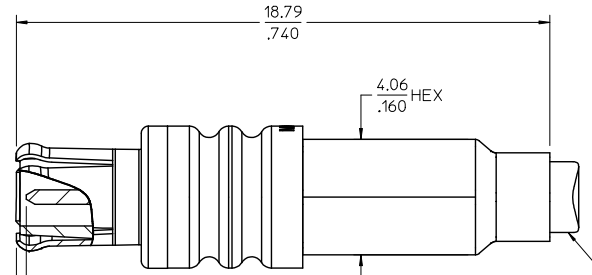
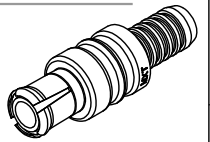
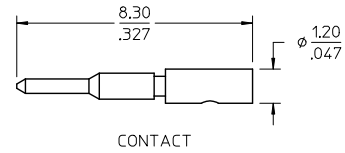
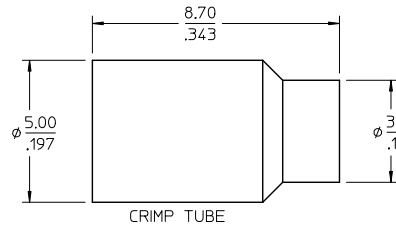
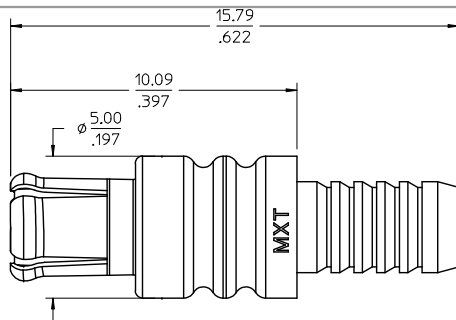
BODY: ZINC ALLOY  
PLATED SEE TABLE

CENTER CONTACT: BRASS  
PLATED GOLD

INSULATOR: TEFLON

OUTER CONTACT: BERYLLIUM COPPER  
PLATED SEE TABLE

FERRULE: BRASS  
PLATED SEE TABLE



73366-0028	NICKEL	GOLD	NICKEL	BULK
73366-0027	GOLD	GOLD	GOLD	BULK
73366-0026	GOLD	GOLD	GOLD	ONE PIECE 73366-0021 PER BAG
73366-0025	NICKEL	NICKEL	NICKEL	BULK
73366-0024	GOLD	GOLD	GOLD	73366-0021, SMALL TRAY
73366-0023	NICKEL	GOLD	NICKEL	73366-0020, SMALL TRAY
73366-0022	NICKEL	GOLD	NICKEL	ONE PIECE 73366-0020 PER BAG
73366-0021	GOLD	GOLD	GOLD	BULK
73366-0020	NICKEL	GOLD	NICKEL	BULK
PART NO.	FINISH BODY	FINISH OC	FINISH FERRULE	PACKAGING

PS-89675-1830	PRODUCT SPECIFICATION
SPECIFICATION	DESCRIPTION

CHG: ADDED -0028 PDR:13071391 IEC NO: URF2014-0081 DRAWN: CHENG CHKD: APPROXIMANG E7 2013/08/08 2013/08/08	QUALITY SYMBOLS	GENERAL TOLERANCES (UNLESS SPECIFIED)	DIMENSION STYLE	SCALE	DESIGN UNITS	THIRD ANGLE PROJECTION	
	$\nabla=0$ $\sphericalangle=0$	mm INCH 4 PLACES ± --- ± --- 3 PLACES ± --- ± --- 2 PLACES ± --- ± --- 1 PLACE ± --- ± --- ANGULAR ± 2 °	MM/IN	DRAWN BY DATE IRIS WANG 1997/05/13 CHECKED BY DATE IRIS 1997/05/13 APPROVED BY DATE MISEN 1997/05/13	METRIC	TITLE MCX PLUG STRAIGHT RG-316 50 OHM MCX-PC EWR-1468	MOLEX INCORPORATED DOCUMENT NO. SD-73366-002
	DRAFT WHERE APPLICABLE MUST REMAIN WITHIN DIMENSIONS	SEE TABLE	MATERIAL NO.	SHEET NO.	1 OF 1		
	THIS DRAWING CONTAINS INFORMATION THAT IS PROPRIETARY TO MOLEX INCORPORATED AND SHOULD NOT BE USED WITHOUT WRITTEN PERMISSION						