

Excellent Integrated System Limited

Stocking Distributor

Click to view price, real time Inventory, Delivery & Lifecycle Information:

[Molex Connector Corporation](#)
[0734154686](#)

For any questions, you can email us directly:
sales@integrated-circuit.com

MATERIALS AND FINISHES:

PART NO. 73415-4680/73415-4681
73415-4682/73415-4683
73415-4685

BODY
BRASS
PLATED 50u" MIN COPPER UNDERCOAT
100~200u" NICKEL UNDERCOAT
2u" MIN GOLD PLATING

CENTER CONTACT
BRASS
PLATED 10u" GOLD

OUTER CONTACT
BERYLLIUM COPPER
PLATED 50u" MIN COPPER UNDERCOAT
100~200u" NICKEL UNDERCOAT
2u" MIN GOLD PLATING

INSULATOR
TEFLON

WITHSTAND 48HRS SALT SPRAY TEST

NOTE:

- PART NO.73415-4681 WITHOUT CONTACT PART
- 73415-4682 WITH CUSTOMER REQUEST PACKAGE
- PART NO.73415-4683/73415-4684
PACKAGE 500PCS BY BAG

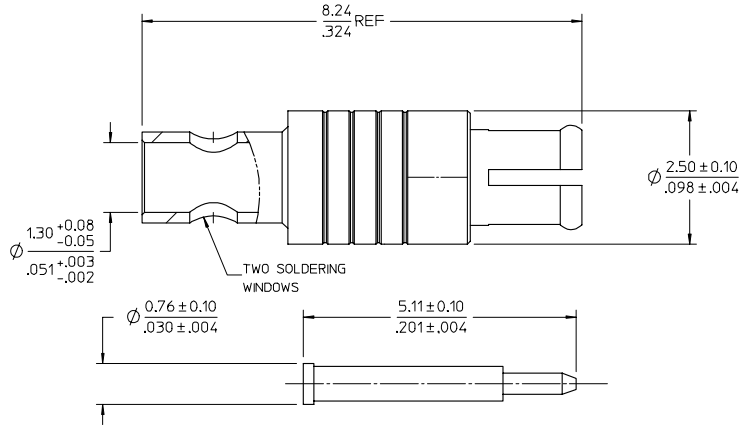
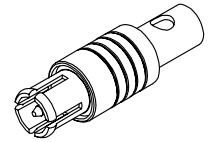
PART NO.73415-4684

BODY
BERYLLIUM COPPER
PLATED TRI METAL

CENTER CONTACT
BERYLLIUM COPPER
PLATED GOLD

OUTER CONTACT
BERYLLIUM COPPER
PLATED GOLD

INSULATOR
TEFLON



73415-4687	NON-MAGNETIC	1 PIECE 73415-4684 PER BAG
73415-4686	GENERAL TYPE	1 PIECE 73415-4680 PER BAG
73415-4685	GENERAL TYPE	SPECIFIC LABEL ON OUTER BOX
73415-4684	NON-MAGNETIC	500pcs BY ONE BAG
73415-4683	GENERAL TYPE	500pcs BY ONE BAG
73415-4682	GENERAL TYPE	SEE NOTE 2
73415-4681	GENERAL TYPE	SEE NOTE 1
73415-4680	GENERAL TYPE	1000pcs BY ONE BAG

PS-73598-0220	PRODUCT SPECIFICATION
AS-73597-033	ASSEMBLY INSTRUCTION
SPECIFICATION	DESCRIPTION

CHG: ADDED P/Ns 73415-4686 & -4687. IEC NO: IREF2007-0254 DRAWN: ARBERTSON 2007/07/04 CHKD: 2007/07/04 APPR: WIENER 2007/07/04 DESCRIPTION REV	QUALITY SYMBOLS	GENERAL TOLERANCES (UNLESS SPECIFIED)	DIMENSION STYLE	SCALE	DESIGN UNITS	THIRD ANGLE PROJECTION
	▽=0 ∇=0	mm INCH 4 PLACES ± --- ± --- 3 PLACES ± --- ± --- 2 PLACES ± --- ± --- 1 PLACE ± --- ± --- ANGULAR ± 5 °	DRAWN BY JOHN DATE 2004/09/17 CHECKED BY JOHNSON DATE 2004/09/17 APPROVED BY MISEN DATE 2004/09/17	MM/IN		METRIC
		DRAFT WHERE APPLICABLE MUST REMAIN WITHIN DIMENSIONS	SEE TABLE			MOLEX INCORPORATED MOLEX INCORPORATED AND SHOULD NOT BE USED WITHOUT WRITTEN PERMISSION
			MATERIAL NO.	DOCUMENT NO.		SHEET NO.
						1 OF 1