

## Excellent Integrated System Limited

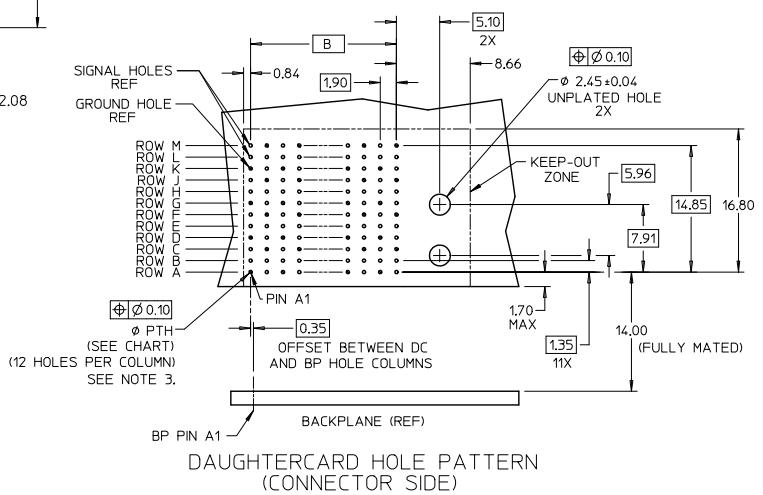
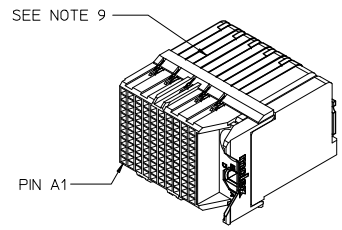
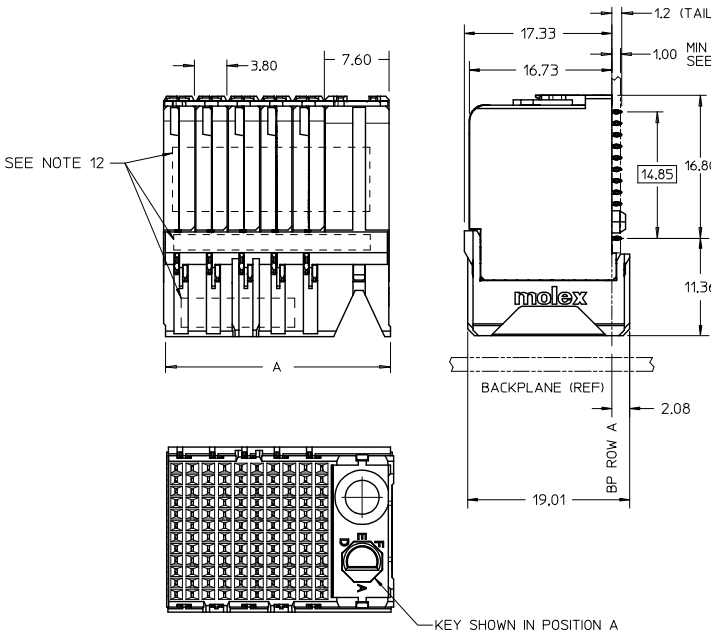
Stocking Distributor

Click to view price, real time Inventory, Delivery & Lifecycle Information:

[Molex Connector Corporation](#)  
[0761605120](#)

For any questions, you can email us directly:

[sales@integrated-circuit.com](mailto:sales@integrated-circuit.com)



- NOTES:
1. MATERIALS: HOUSING - LIQUID CRYSTAL POLYMER (LCP), GLASS-FILLED, UL94V-0  
TERMINALS - HIGH PERFORMANCE COPPER ALLOY
  2. FINISH: 30µN MIN SELECTIVE GOLD IN CONTACT AREA, SELECTIVE TIN ON PCB TAILS, NICKEL OVERALL.
  3. REFER TO MOLEX PRODUCT SPEC PS-76060-999 FOR PERFORMANCE SPECIFICATIONS AND ADDITIONAL PCB INFORMATION.
  4. EACH SIGNAL WAFER CONTAINS 2 COLUMNS OF TERMINALS.
  5. PRODUCT IS PACKAGED PER PK-70873-610.
  6. THIS PART CONFORMS TO CLASS B REQUIREMENTS OF COSMETIC SPEC PS-45499-002.
  7. REFER TO MOLEX SALES DRAWING SD-76155-003 FOR THE MATING HEADERS AND SD-76500-002 FOR THE MATING RAM CONNECTORS
  8. REFER TO MOLEX PCB MOUNTING GUIDE AS-76060-990 FOR ANTI PAD AND ROUTING RECOMMENDATIONS.
  9. PART NUMBER 76160-5120 SHOWN ON DRAWING. KEYING FEATURES WILL CHANGE WITH COLUMN SIZE.
  10. MINIMUM BOARD THICKNESS IS 1.00 mm FOR COMPLIANT PIN FUNCTIONALITY.
  11. WHEN USING MOLEX SUPPLIED #2-32 SCREW 73726-0000 (9.50mm ±0.38 THREADABLE SCREW LENGTH), THE MAXIMUM BOARD THICKNESS IS 4.4mm.
  12. MARKING: LOCATED APPROXIMATELY AS SHOWN, PART NUMBER AND DATE CODE.

ADD LASER MARK INFO FOR PIN CHART	EC. NO: UCP2016-0943 DRAWN: GONZALEZ01 2015/08/31 CHKCD: APPR: TEL0	DESCRIPTION 2015/09/02	QUALITY SYMBOLS ▽=0 ▽=0 ▽=0	GENERAL TOLERANCES (UNLESS SPECIFIED)		DIMENSION STYLE MM ONLY		SCALE 3:1	DESIGN UNITS METRIC	THIRD ANGLE PROJECTION
				mm	INCH	DRAWN BY JLAURX	DATE 2008/03/03	TITLE IMPACT 100 OHM DC 4 PAIR SIGNAL MODULE GUIDE RIGHT SALES DWG		
4 PLACES ± --- ± ---				DRAWN BY JLAURX		DATE 2008/03/03		molex		
3 PLACES ± --- ± ---				CHECKED BY TELO		DATE 2008/03/03				
2 PLACES ± 0.13 ± ---				APPROVED BY JLAURX		DATE 2010/09/15		MATERIAL NO. _____ DOCUMENT NO. _____ SHEET NO. 1 OF 2		
1 PLACE ± 0.25 ± ---				ANGULAR ± 1/2°		SIZE C		SD-76160-004		
0 PLACE ± ±				DRAFT WHERE APPLICABLE MUST REMAIN WITHIN DIMENSIONS		THIS DRAWING CONTAINS INFORMATION THAT IS PROPRIETARY TO MOLEX INCORPORATED AND SHOULD NOT BE USED WITHOUT WRITTEN PERMISSION				

MATERIAL NUMBER	# OF COLUMNS	# OF DIFF PAIR	DIM 'A' MAX	DIM 'B'	PTH $\phi$
76160-**06	6	24	19,00	9,50	0,46 +0,04
76160-**08	8	32	22,80	13,30	
76160-**10	10	40	26,60	17,10	
76160-**16	16	64	38,00	28,50	0,39 +0,05
76160-**36	6	24	19,00	9,50	
76160-**38	8	32	22,80	13,30	
76160-**20	10	40	26,60	17,10	
76160-**26	16	64	38,00	28,50	

76160-\*\*\*\*

MODULE & TAIL PLATING TYPE  
5 = RIGHT GUIDED LEAD-FREE

POLARIZATION KEY ORIENTATION  
0 = NO KEY

- 1 = A
- 2 = B
- 3 = C
- 4 = D
- 5 = E
- 6 = F
- 7 = G
- 8 = H

- # OF COLUMNS
- 06 = 6 COL 0,46 PTH
  - 08 = 8 COL 0,46 PTH
  - 10 = 10 COL 0,46 PTH
  - 16 = 16 COL 0,46 PTH
  - 20 = 10 COL 0,39 PTH
  - 26 = 16 COL 0,39 PTH
  - 38 = 8 COL 0,39 PTH
  - 36 = 6 COL 0,39 PTH

SEE SHEET 1 IEC NO: UCP2016-0943 DRAWN: JGONZALEZ01 2015/08/31 CHKD: APPR: TELO 2015/09/02 REV: G3	QUALITY SYMBOLS	GENERAL TOLERANCES (UNLESS SPECIFIED)	DIMENSION STYLE MM ONLY	SCALE 3:1	DESIGN UNITS METRIC	THIRD ANGLE PROJECTION
		4 PLACES ± --- ± ---	mm INCH	DRAWN BY JLAURX	DATE 2008/03/03	IMPACT 100 OHM DC 4 PAIR SIGNAL MODULE GUIDE RIGHT SALES DWG 
		3 PLACES ± --- ± ---	CHECKED BY TELO	DATE 2008/03/03		
		2 PLACES ± 0.13 ± ---	APPROVED BY JLAURX	DATE 2010/09/15		
	1 PLACE ± 0.25 ± ---	MATERIAL NO.	DOCUMENT NO.			
	0 PLACE ± ±	ANGULAR ±1/2°	SEE CHART	SD-76160-004	SHEET NO. 2 OF 2	
		DRAFT WHERE APPLICABLE MUST REMAIN WITHIN DIMENSIONS	SIZE C	THIS DRAWING CONTAINS INFORMATION THAT IS PROPRIETARY TO MOLEX INCORPORATED AND SHOULD NOT BE USED WITHOUT WRITTEN PERMISSION		