

Excellent Integrated System Limited

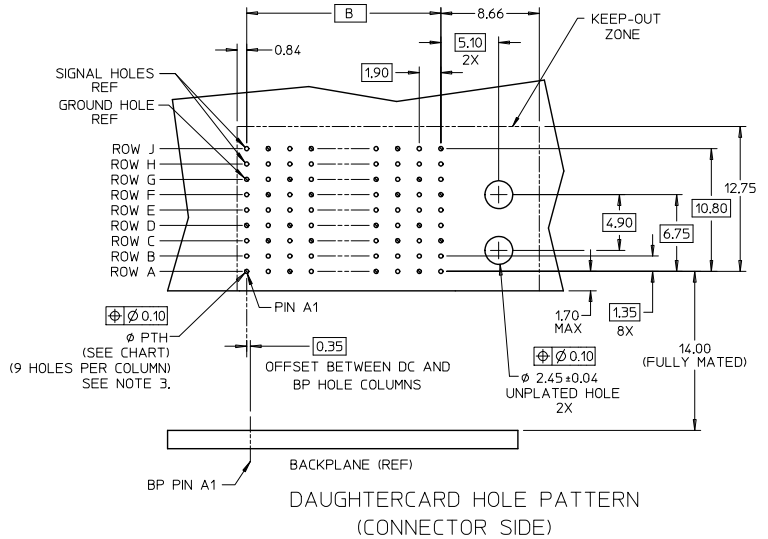
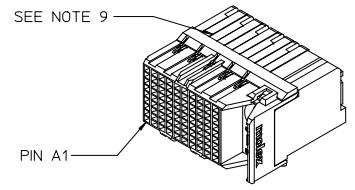
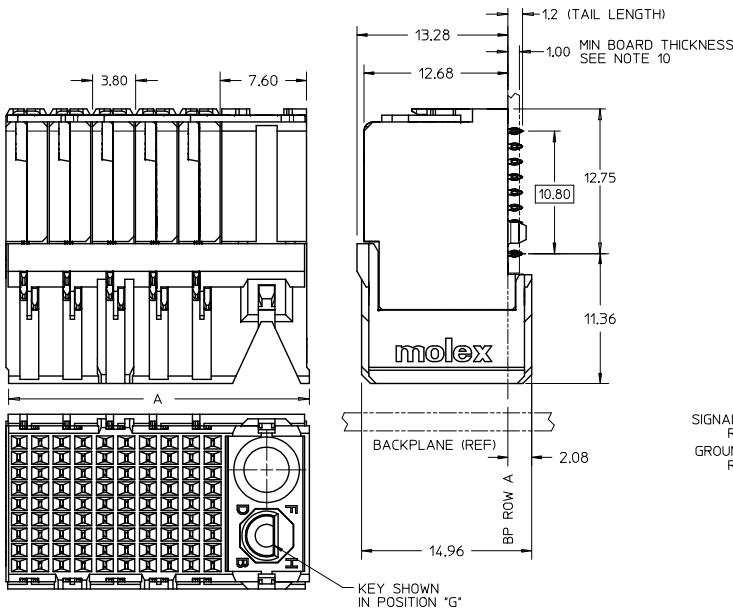
Stocking Distributor

Click to view price, real time Inventory, Delivery & Lifecycle Information:

[Molex Connector Corporation](#)
[0761705326](#)

For any questions, you can email us directly:

sales@integrated-circuit.com



- NOTES:
1. MATERIALS: HOUSING - LIQUID CRYSTAL POLYMER (LCP), GLASS-FILLED, UL94V-0
TERMINALS - HIGH PERFORMANCE COPPER ALLOY
 2. FINISH: 30μN MIN SELECTIVE GOLD IN CONTACT AREA, SELECTIVE TIN ON PCB TAILS, NICKEL OVERALL.
 3. REFER TO MOLEX PRODUCT SPEC PS-76060-999 FOR PERFORMANCE SPECIFICATIONS AND ADDITIONAL PCB INFORMATION.
 4. EACH SIGNAL WAFER CONTAINS 2 COLUMNS OF TERMINALS.
 5. PRODUCT IS PACKAGED PER PK-70873-591.
 6. THIS PART CONFORMS TO CLASS B REQUIREMENTS OF COSMETIC SPEC PS-45499-002.
 7. REFER TO MOLEX SALES DRAWING SD-76165-003 FOR THE MATING HEADERS AND SD-76410-002 FOR THE MATING RAM CONNECTORS.
 8. REFER TO MOLEX PCB ROUTING GUIDE AS-76060-990 FOR THE ANTIPAD AND ROUTING RECOMMENDATIONS.
 9. PART NUMBER 76170-5720 SHOWN ON DRAWING. KEYING FEATURES WILL CHANGE WITH COLUMN SIZE.
 10. MINIMUM BOARD THICKNESS IS 1.00 mm FOR COMPLIANT PIN FUNCTIONALITY.
 11. WHEN USING MOLEX SUPPLIED #2-32 SCREW 73726-0005 (7.62mm +0.38/-0.76 THREADABLE SCREW LENGTH), THE MAXIMUM BOARD THICKNESS RANGE IS 1.9 mm TO 2.5 mm.

ADD: 14 COL OPTION EC NO: UCP2016-0079 DRAWN BY: MILLER CHKD: APPR: TELD REV	QUALITY SYMBOLS DESCRIPTION 2015/07/07	GENERAL TOLERANCES (UNLESS SPECIFIED)		DIMENSION STYLE MM ONLY		SCALE 4:1	DESIGN UNITS METRIC	THIRD ANGLE PROJECTION
		mm	INCH	DRAWN BY JLAURX	DATE 2008/01/29	TITLE IMPACT 100 OHM DC 3 PAIR SIGNAL MODULE GUIDE RIGHT SALES DWG		
		4 PLACES ±	---	CHECKED BY TELO	DATE 2008/01/29	molex		
		3 PLACES ±	---	APPROVED BY JLAURX	DATE 2008/01/29			
		2 PLACES ±	0.13	MATERIAL NO.		SEE CHART		
		1 PLACE ±	0.25	ANGULAR ±1/2°		THIS DRAWING CONTAINS INFORMATION THAT IS PROPRIETARY TO MOLEX INCORPORATED AND SHOULD NOT BE USED WITHOUT WRITTEN PERMISSION		
		0 PLACE ±	---	DRAFT WHERE APPLICABLE MUST REMAIN WITHIN DIMENSIONS				

MATERIAL NUMBER	# OF COLUMNS	# OF DIFF PAIR	DIM "A" MAX	DIM "B"	PTH ϕ
76170-***6	6	18	19.00	9.50	0.46 ± 0.05
76170-***8	8	24	22.80	13.30	
76170-***0	10	30	26.60	17.10	
76170-***4	14	42	34.20	24.70	
76170-***6	16	48	38.00	28.50	
76170-***6	6	18	19.00	9.50	0.39 ± 0.05
76170-***8	8	24	22.80	13.30	
76170-***0	10	30	26.60	17.10	
76170-***4	14	42	34.20	24.70	
76170-***6	16	48	38.00	28.50	

76170-***

MODULE & TAIL PLATING TYPE
5 = RIGHT GUIDED LEAD-FREE

POLARIZATION KEY ORIENTATION
0 = NO KEY

1 = A 5 = E
2 = B 6 = F
3 = C 7 = G
4 = D 8 = H

OF COLUMNS
06 = 6 COL 0.46 PTH
08 = 8 COL 0.46 PTH
10 = 10 COL 0.46 PTH
14 = 14 COL 0.46 PTH
16 = 16 COL 0.46 PTH
20 = 10 COL 0.39 PTH
24 = 14 COL 0.39 PTH
26 = 16 COL 0.39 PTH
36 = 6 COL 0.39 PTH
38 = 8 COL 0.39 PTH

SEE SHEET 1 EC NO: UCP2016-0079 DRAWN BY MILLER 2015/07/07 CHKD: TELLO APPR: TELLO 2015/07/07	QUALITY SYMBOLS 	GENERAL TOLERANCES (UNLESS SPECIFIED)		DIMENSION STYLE MM ONLY		SCALE 4:1	DESIGN UNITS METRIC	THIRD ANGLE PROJECTION		
		4 PLACES \pm --- \pm ---	mm	INCH	DRAWN BY JLAURX	DATE 2008/01/29	TITLE IMPACT 100 OHM DC 3 PAIR SIGNAL MODULE GUIDE RIGHT SALES DWG molex			
		3 PLACES \pm --- \pm ---			CHECKED BY TELO	DATE 2008/01/29				
		2 PLACES ± 0.13 \pm ---			APPROVED BY JLAURX	DATE 2008/01/29	MATERIAL NO. SEE CHART	DOCUMENT NO. SD-76170-004	SHEET NO. 2 OF 2	THIS DRAWING CONTAINS INFORMATION THAT IS PROPRIETARY TO MOLEX INCORPORATED AND SHOULD NOT BE USED WITHOUT WRITTEN PERMISSION
1 PLACE ± 0.25 \pm ---										
0 PLACE \pm \pm			ANGULAR $\pm 1/2^\circ$							
DRAFT WHERE APPLICABLE MUST REMAIN WITHIN DIMENSIONS										