

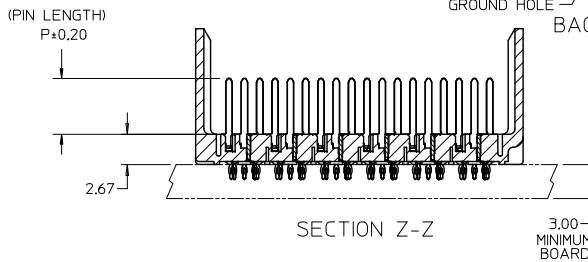
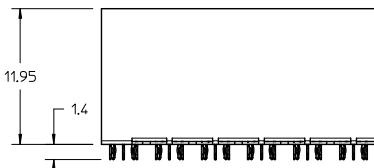
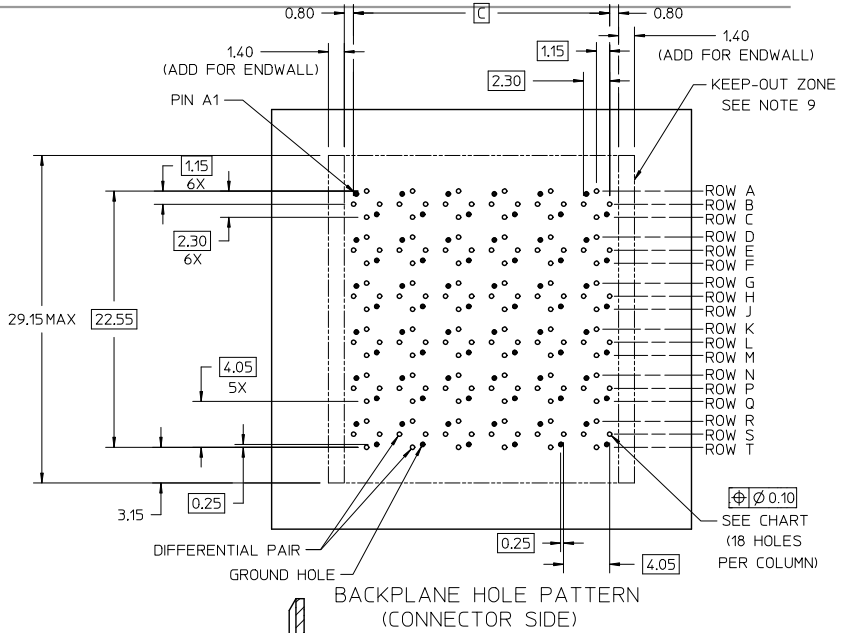
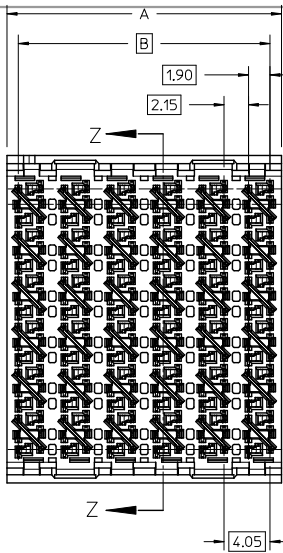
## **Excellent Integrated System Limited**

Stocking Distributor

Click to view price, real time Inventory, Delivery & Lifecycle Information:

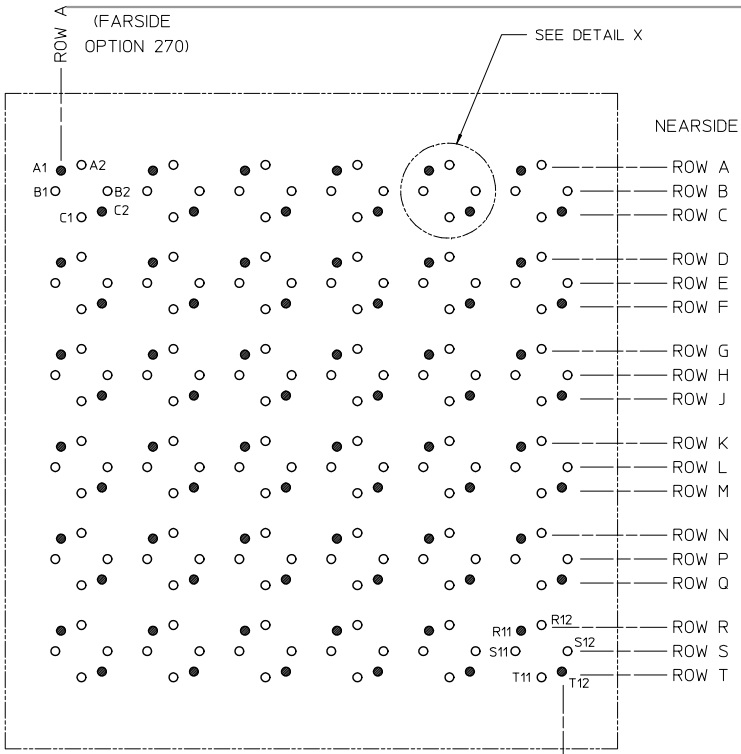
[Molex Connector Corporation](#)  
[0762851227](#)

For any questions, you can email us directly:  
[sales@integrated-circuit.com](mailto:sales@integrated-circuit.com)

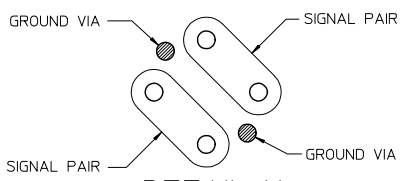


- NOTES:
1. MATERIALS: HOUSING - LIQUID CRYSTAL POLYMER (LCP)  
GLASS-FILLED, UL94V-0  
TERMINALS - HIGH PERFORMANCE COPPER ALLOY
  2. FINISH: 30µ MIN GOLD IN CONTACT AREA,  
SELECTIVE TIN OR TIN-LEAD ON PCB TAILS,  
NICKEL OVERALL.
  3. REFER TO MOLEX PRODUCT SPECIFICATION PS-76060-999  
FOR PERFORMANCE SPECIFICATIONS AND ADDITIONAL PCB INFORMATION.
  4. THIS PART CONFORMS TO CLASS B REQUIREMENTS OF  
COSMETIC SPEC PS-45499-002.
  5. PRODUCT IS PACKAGED PER PK-70873-7708.
  6. SEE SHEETS 2 THRU 4 FOR PART NUMBERS AND ORTHOGONAL PIN MAPPING.
  7. REFER TO MOLEX SALES DRAWING SD-76290-001 FOR THE MATING RECEPTACLES.
  8. REFER TO MOLEX ROUTING GUIDE AS-76850-990 FOR ADDITIONAL PCB LAYOUT  
AND ROUTING RECOMMENDATIONS.
  - 9.\*THESE DIMENSIONS REPRESENT THE AREA NEEDED TO ACCOMMODATE CONNECTOR  
INSERTION AND REPAIR ON THE PC BOARD. THIS DOES NOT REPRESENT  
THE ACTUAL PERIMETER OF THE CONNECTOR.\*

UPDATED VIEWS EC NO: UCF2014-2698 DRAWN BY: JLAURX CHKD: JMENDOZA APPR: JBLINGHAM DATE: 2015/03/24	QUALITY SYMBOLS ∇=0 ∇=0 ∇=0	GENERAL TOLERANCES (UNLESS SPECIFIED)		DIMENSION STYLE MM ONLY		SCALE 4:1	DESIGN UNITS METRIC	THIRD ANGLE PROJECTION	
		4 PLACES ± --- ± --- 3 PLACES ± --- ± --- 2 PLACES ± 0.13 ± --- 1 PLACE ± 0.25 ± --- 0 PLACE ± ±	mm INCH ± --- ± --- ± --- ± --- ± --- ± --- ± --- ± ---	DRAWN BY JLAURX	DATE 4/20/09	CHECKED BY JMENDOZA	DATE 2010/01/13	TITLE IMPACT 6 PAIR HEADER ORTHOGONAL ASSEMBLY UNGUIDED SALES DRAWING	
ANGULAR ±1/2° DRAFT WHERE APPLICABLE MUST REMAIN WITHIN DIMENSIONS		SEE CHART SIZE C		THIS DRAWING CONTAINS INFORMATION THAT IS PROPRIETARY TO MOLEX INCORPORATED AND SHOULD NOT BE USED WITHOUT WRITTEN PERMISSION		SHEET NO. 1 OF 4			



MIDPLANE PCB LAYOUT  
SCALE 8:1  
ROW A (FARSIDE OPTION 90)



DETAIL X  
SCALE 16:1

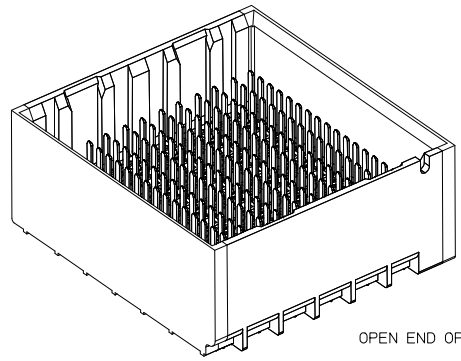
MATERIAL NUMBER	# OF COLUMNS	# OF DIFF PAIR	DIM A	DIM B	DIM C
76285-*10*	10	60	20.1	18.10	18.50
76285-*12*	10	60	22.9	18.10	18.50
76285-*20*	12	72	24.2	22.15	22.55
76285-*22*	12	72	27.0	22.15	22.55

76285-\*\*\*  
 MODULE & TAIL PLATING TYPE  
 0 = UNGUIDED, TIN/LEAD  
 1 = UNGUIDED, TIN

# OF COLUMNS  
 1 = 10 COLUMNS  
 2 = 12 COLUMNS

PIN LENGTH (P)  
 4 = 4.90 (0.46 PTH)  
 5 = 5.50 (0.46 PTH)  
 7 = 4.90 (0.39 PTH)  
 8 = 5.50 (0.39 PTH)

ENDWALL OPTIONS  
 0 = OPEN ENDS  
 2 = DUAL ENDWALL



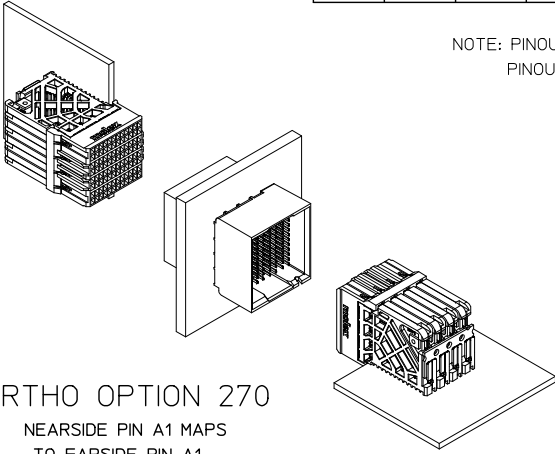
SEE SHEET 1 EC. NO: UCF2014-2698 DRAWN BY: JLAURX CHKD: JMENDOZA APPR: JBLINGHAM DATE: 2010/04/02 DATE: 2010/01/13 DATE: 2010/01/14	QUALITY SYMBOLS ∇=0 ∇=0 ∇=0	GENERAL TOLERANCES (UNLESS SPECIFIED) mm INCH 4 PLACES ± --- ± --- 3 PLACES ± --- ± --- 2 PLACES ± 0.13 ± --- 1 PLACE ± 0.25 ± --- 0 PLACE ± ±	DIMENSION STYLE MM ONLY	SCALE 4:1	DESIGN UNITS METRIC	THIRD ANGLE PROJECTION	
		DRAWN BY: JLAURX DATE: 4/20/09	CHECKED BY: JMENDOZA DATE: 2010/01/13	APPROVED BY: JBLINGHAM DATE: 2010/01/14	MATERIAL NO. SEE CHART	DOCUMENT NO. SD-76285-001	SHEET NO. 2 OF 4
		ANGULAR ±1/2° DRAFT WHERE APPLICABLE MUST REMAIN WITHIN DIMENSIONS	THIS DRAWING CONTAINS INFORMATION THAT IS PROPRIETARY TO MOLEX INCORPORATED AND SHOULD NOT BE USED WITHOUT WRITTEN PERMISSION				
		TITLE IMPACT 6 PAIR HEADER ORTHOGONAL ASSEMBLY UNGUIDED SALES DRAWING <b>molex</b>					

ORTHO PIN MAPPING

OPTION 270 (NEAR SIDE - FAR SIDE)

(A1-A1)	A2-B1	(A3-D1)	A4-E1	(A5-G1)	A6-H1	(A7-K1)	A8-L1	(A9-N1)	A10-P1	(A11-R1)	A12-S1
B1-A2	B2-C1	B3-D2	B4-F1	B5-G2	B6-J1	B7-K2	B8-M1	B9-N2	B10-O1	B11-R2	B12-T1
C1-B2	(C2-C2)	C3-E2	(C4-F2)	C5-H2	(C6-J2)	C7-L2	(C8-M2)	C9-P2	(C10-O2)	C11-S2	(C12-T2)
(D1-A3)	D2-B3	(D3-D3)	D4-E3	(D5-G3)	D6-H3	(D7-K3)	D8-L3	(D9-N3)	D10-P3	(D11-R3)	D12-S3
E1-A4	E2-C3	E3-D4	E4-F3	E5-G4	E6-J3	E7-K4	E8-M3	E9-N4	E10-O3	E11-R4	E12-T3
F1-B4	(F2-C4)	F3-E4	(F4-F4)	F5-H4	(F6-J4)	F7-L4	(F8-M4)	F9-P4	(F10-O4)	F11-S4	(F12-T4)
(G1-A5)	G2-B5	(G3-D5)	G4-E5	(G5-G5)	G6-H5	(G7-K5)	G8-L5	(G9-N5)	G10-P5	(G11-R5)	G12-S5
H1-A6	H2-C5	H3-D6	H4-F5	H5-G6	H6-J5	H7-K6	H8-M5	H9-N6	H10-O5	H11-R6	H12-T5
J1-B6	(J2-C6)	J3-E6	(J4-F6)	J5-H6	(J6-J6)	J7-L6	(J8-M6)	J9-P6	(J10-O6)	J11-S6	(J12-T6)
(K1-A7)	K2-B7	(K3-D7)	K4-E7	(K5-G7)	K6-H7	(K7-K7)	K8-L7	(K9-N7)	K10-P7	(K11-R7)	K12-S7
L1-A8	L2-C7	L3-D8	L4-F7	L5-G8	L6-J7	L7-K8	L8-M7	L9-N8	L10-O7	L11-R8	L12-T7
M1-B8	(M2-C8)	M3-E8	(M4-F8)	M5-H8	(M6-J8)	M7-L8	(M8-M8)	M9-P8	(M10-O8)	M11-S8	(M12-T8)
(N1-A9)	N2-B9	(N3-D9)	N4-E9	(N5-G9)	N6-H9	(N7-K9)	N8-L9	(N9-N9)	N10-P9	(N11-R9)	N12-S9
P1-A10	P2-C9	P3-D10	P4-F9	P5-G10	P6-J9	P7-K10	P8-M9	P9-N10	P10-O9	P11-R10	P12-T9
Q1-B10	(Q2-C10)	Q3-E10	(Q4-F10)	Q5-H10	(Q6-J10)	Q7-L10	(Q8-M10)	Q9-P10	(Q10-O10)	Q11-S10	(Q12-T10)
(R1-A11)	R2-B11	(R3-D11)	R4-E11	(R5-G11)	R6-H11	(R7-K11)	R8-L11	(R9-N11)	R10-P11	(R11-R11)	R12-S11
S1-A12	S2-C11	S3-D12	S4-F11	S5-G12	S6-J11	S7-K12	S8-M11	S9-N12	S10-O11	S11-R12	S12-T11
T1-B12	(T2-C12)	T3-E12	(T4-F12)	T5-H12	(T6-J12)	T7-L12	(T8-M12)	T9-P12	(T10-O12)	T11-S12	(T12-T12)

NOTE: PINOUTS SHOWN IN BALLOONS ARE GROUNDS.  
PINOUTS SHOWN ARE FOR SQUARE (12 COLUMN) PATTERN ONLY.



ORTHO OPTION 270  
NEAR SIDE PIN A1 MAPS  
TO FAR SIDE PIN A1

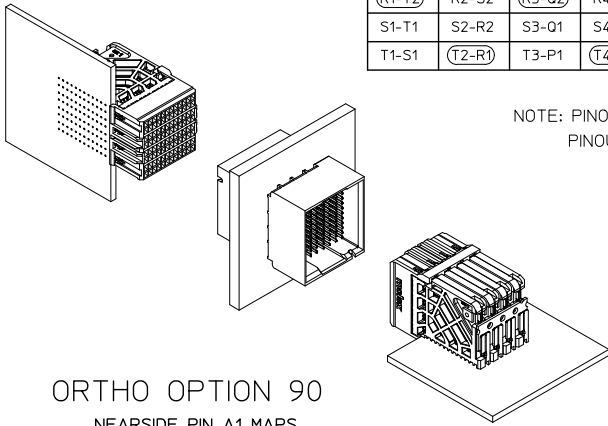
SEE SHEET 1 EC NO: UCP2014-2698 DRAWN BY: JLAURX CHKD: JMENDOZA APPR: JBLINGHAM DATE: 2015/03/24	QUALITY SYMBOLS ∇=0 ∇=0.13 ∇=0.25	GENERAL TOLERANCES (UNLESS SPECIFIED)		DIMENSION STYLE MM ONLY		SCALE 8:1	DESIGN UNITS METRIC	THIRD ANGLE PROJECTION	
		4 PLACES	±	mm	±	INCH	DATE 4/20/09	TITLE IMPACT 6 PAIR HEADER ORTHOGONAL ASSEMBLY UNGUIDED SALES DRAWING <b>molex</b> MATERIAL NO. SD-76285-001 DOCUMENT NO. SD-76285-001 SHEET NO. 3 OF 4	
		3 PLACES	±	mm	±	INCH	CHECKED BY JMENDOZA		
		2 PLACES	±	0.13	±	INCH	DATE 2010/01/13		
1 PLACE	±	0.25	±	INCH	APPROVED BY JBLINGHAM	DATE 2010/01/14			
DRAFT WHERE APPLICABLE MUST REMAIN WITHIN DIMENSIONS		ANGULAR ±1/2°		SEE CHART					
THIS DRAWING CONTAINS INFORMATION THAT IS PROPRIETARY TO MOLEX INCORPORATED AND SHOULD NOT BE USED WITHOUT WRITTEN PERMISSION									

ORTHO PIN MAPPING

OPTION 90 (NEARSIDE - FAR SIDE)

(A1-T12)	A2-S12	(A3-Q12)	A4-P12	(A5-M12)	A6-L12	(A7-J12)	A8-H12	(A9-F12)	A10-E12	(A11-C12)	A12-B12
B1-T11	B2-R12	B3-Q11	B4-N12	B5-M11	B6-K12	B7-J11	B8-G12	B9-F11	B10-D12	B11-C11	B12-A12
C1-S11	(C2-R11)	C3-P11	(C4-N11)	C5-L11	(C6-K11)	C7-H11	(C8-G11)	C9-E11	(C10-D11)	C11-B11	(C12-A11)
(D1-T10)	D2-S10	(D3-Q10)	D4-P10	(D5-M10)	D6-L10	(D7-J10)	D8-H10	(D9-F10)	D10-E10	(D11-C10)	D12-B10
E1-T9	E2-R10	E3-Q9	E4-N10	E5-M9	E6-K10	E7-J9	E8-G10	E9-F9	E10-D10	E11-C9	E12-A10
F1-S9	(F2-R9)	F3-P9	(F4-N9)	F5-L9	(F6-K9)	F7-H9	(F8-G9)	F9-E9	(F10-D9)	F11-B9	(F12-A9)
(G1-T8)	G2-S8	(G3-Q8)	G4-P8	(G5-M8)	G6-L8	(G7-J8)	G8-H8	(G9-F8)	G10-E8	(G11-C8)	G12-B8
H1-T7	H2-R8	H3-Q7	H4-N8	H5-M7	H6-K8	H7-J7	H8-G8	H9-F7	H10-D8	H11-C7	H12-A8
J1-S7	(J2-R7)	J3-P7	(J4-N7)	J5-L7	(J6-K7)	J7-H7	(J8-G7)	J9-E7	(J10-D7)	J11-B7	(J12-A7)
(K1-T6)	K2-S6	(K3-Q6)	K4-P6	(K5-M6)	K6-L6	(K7-J6)	K8-H6	(K9-F6)	K10-E6	(K11-C6)	K12-B6
L1-T5	L2-R6	L3-Q5	L4-N6	L5-M5	L6-K6	L7-J5	L8-G6	L9-F5	L10-D6	L11-C5	L12-A6
M1-S5	(M2-R5)	M3-P5	(M4-N5)	M5-L5	(M6-K5)	M7-H5	(M8-G5)	M9-E5	(M10-D5)	M11-B5	(M12-A5)
(N1-T4)	N2-S4	(N3-Q4)	N4-P4	(N5-M4)	N6-L4	(N7-J4)	N8-H4	(N9-F4)	N10-E4	(N11-C4)	N12-B4
P1-T3	P2-R4	P3-Q3	P4-N4	P5-M3	P6-K4	P7-J3	P8-G4	P9-F3	P10-D4	P11-C3	P12-A4
Q1-S3	(Q2-R3)	Q3-P3	(Q4-N3)	Q5-L3	(Q6-K3)	Q7-H3	(Q8-G3)	Q9-E3	(Q10-D3)	Q11-B3	(Q12-A3)
(R1-T2)	R2-S2	(R3-Q2)	R4-P2	(R5-M2)	R6-L2	(R7-J2)	R8-H2	(R9-F2)	R10-E2	(R11-C2)	R12-B2
S1-T1	S2-R2	S3-Q1	S4-N2	S5-M1	S6-K2	S7-J1	S8-G2	S9-F1	S10-D2	S11-C1	S12-A2
T1-S1	(T2-R1)	T3-P1	(T4-N1)	T5-L1	(T6-K1)	T7-H1	(T8-G1)	T9-E1	(T10-D1)	T11-B1	(T12-A1)

NOTE: PINOUTS SHOWN IN BALLOONS ARE GROUNDS.  
PINOUTS SHOWN ARE FOR SQUARE (12 COLUMN) PATTERN ONLY.



ORTHO OPTION 90  
NEARSIDE PIN A1 MAPS  
TO FAR SIDE PIN T12  
(FOR SQUARE PATTERN)

SEE SHEET 1 EC. NO: UCP2014-2698 DRAWN BY: TDRWHR12V101 2010/04/02 CHKD: JPPR: TELD 2015/03/24 APPR: TELD 2015/03/24 REV:	QUALITY SYMBOLS ∇=0 ∇=0 ∇=0	GENERAL TOLERANCES (UNLESS SPECIFIED)		DIMENSION STYLE		SCALE	DESIGN UNITS	THIRD ANGLE PROJECTION		
				MM ONLY		4:1	METRIC			
		4 PLACES	± ---	± ---	DRAWN BY	DATE	TITLE IMPACT 6 PAIR HEADER ORTHOGONAL ASSEMBLY UNGUIDED SALES DRAWING <b>molex</b> DOCUMENT NO. SD-76285-001 SHEET NO. 4 OF 4			
		3 PLACES	± ---	± ---	CHECKED BY	DATE				
2 PLACES	± 0.13	± ---	APPROVED BY	DATE						
1 PLACE	± 0.25	± ---	J. BINGHAM	2010/01/14						
0 PLACE	±	±	ANGULAR ± 1/2°		MATERIAL NO.		DOCUMENT NO.			
DRAFT WHERE APPLICABLE MUST REMAIN WITHIN DIMENSIONS			SEE CHART		SD-76285-001		SHEET NO. 4 OF 4			
THIS DRAWING CONTAINS INFORMATION THAT IS PROPRIETARY TO MOLEX INCORPORATED AND SHOULD NOT BE USED WITHOUT WRITTEN PERMISSION										