

## Excellent Integrated System Limited

Stocking Distributor

Click to view price, real time Inventory, Delivery & Lifecycle Information:

[Molex Connector Corporation](#)  
[0762903020](#)

For any questions, you can email us directly:

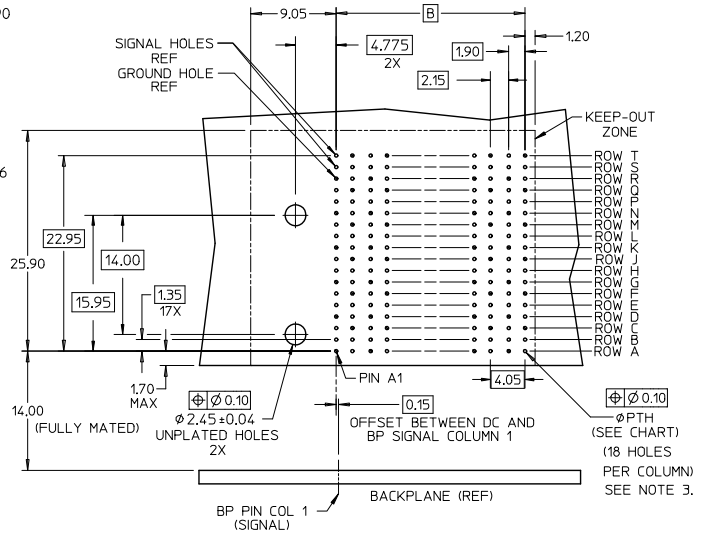
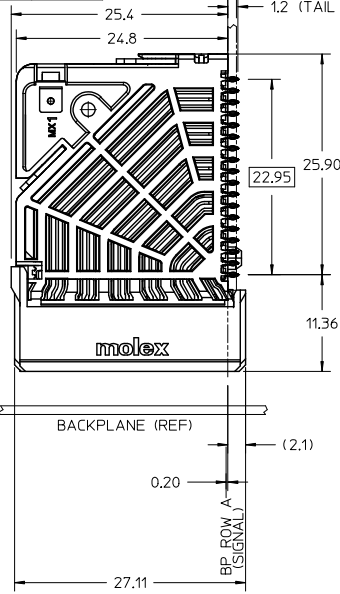
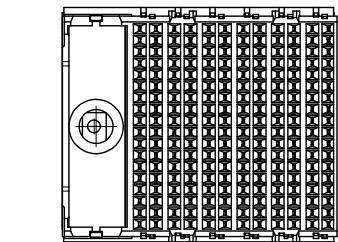
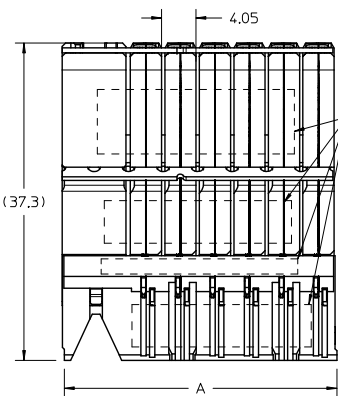
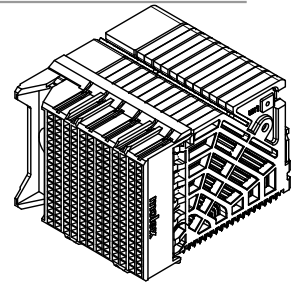
[sales@integrated-circuit.com](mailto:sales@integrated-circuit.com)

MATERIAL NUMBER	# OF COLUMNS	# OF DIFF PAIR	DIM 'A' MAX	DIM 'B'	PTHØ
76290-3010	10	60	28.35	18.10	0.46±0.05
76290-3020	10	60	28.35	18.10	0.39±0.05
76290-3012	12	72	32.40	22.15	0.46±0.05
76290-3022	12	72	32.40	22.15	0.39±0.05

76290-0\*\*

MODULE & TAIL PLATING TYPE  
3 = LEFT GUIDED, LEAD-FREE

# OF COLUMNS  
10 = 10 COL 0.46 PTH  
20 = 10 COL 0.39 PTH  
12 = 12 COL 0.46 PTH  
22 = 12 COL 0.39 PTH



- NOTES:
- MATERIALS: HOUSING - LIQUID CRYSTAL POLYMER (LCP), GLASS-FILLED, UL94V-0  
TERMINALS - HIGH PERFORMANCE COPPER ALLOY
  - FINISH: 30µIN MIN GOLD IN CONTACT AREA, SELECTIVE TIN ON PCB TAILS, NICKEL OVERALL.
  - REFER TO MOLEX PRODUCT SPEC PS-76060-999 FOR PERFORMANCE SPECIFICATIONS AND ADDITIONAL PCB INFORMATION.
  - EACH SIGNAL WAFER CONTAINS 2 COLUMNS OF TERMINALS.
  - PRODUCT IS PACKAGED PER PK-70873-589.
  - THIS PART CONFORMS TO CLASS B REQUIREMENTS OF COSMETIC SPEC PS-45499-002.
  - REFER TO MOLEX SALES DRAWING SD-76285-002 FOR THE MATING HEADERS.
  - WHEN USING MOLEX SUPPLIED #2-32 SCREW 73726-0000 (9.50mm ±0.38 THREADABLE SCREW LENGTH), THE MAXIMUM BOARD THICKNESS IS 4.4mm.
  - REFER TO MOLEX ROUTING GUIDE AS-76850-990 FOR ADDITIONAL PCB LAYOUT AND ROUTING RECOMMENDATIONS.
  - MARKING: LOCATED APPROXIMATELY AS SHOWN, PART NUMBER AND DATE CODE.

DAUGHTERCARD HOLE PATTERN  
(CONNECTOR SIDE)

ADD LASER MARK INFO EC NO: UCP2016-3973 DRAWN BY: 2015/07/29 CHKD: TELO 2016/02/22 APPR: TELO 2016/04/20	QUALITY SYMBOLS ▽=0 ▽=0	GENERAL TOLERANCES (UNLESS SPECIFIED)		DIMENSION STYLE MM ONLY		SCALE 3:1	DESIGN UNITS METRIC	THIRD ANGLE PROJECTION	
		4 PLACES ± --- ± ---	3 PLACES ± --- ± ---	2 PLACES ± 0.15 ± ---	1 PLACE ± 0.25 ± ---	DRAWN BY JLAURX	DATE 4/23/09	TITLE IMPACT DAUGHTERCARD 6 PAIR ORTHOGONAL GUIDE LEFT SALES DWG	
D2	DESCRIPTION	ANGULAR ± 1/2°		APPROVED BY J BINGHAM		DATE 2010/01/13	MOLEX INCORPORATED		
		DRAFT WHERE APPLICABLE MUST REMAIN WITHIN DIMENSIONS		SEE CHART		DOCUMENT NO. SD-76290-002	SHEET NO. 1 OF 1		