

## Excellent Integrated System Limited

Stocking Distributor

Click to view price, real time Inventory, Delivery & Lifecycle Information:

[Molex Connector Corporation](#)  
[0764101104](#)

For any questions, you can email us directly:

[sales@integrated-circuit.com](mailto:sales@integrated-circuit.com)

MATERIAL NUMBER	# OF COLUMNS	# OF OFF. PAR	DM 'A' MAX	DM 'B'	PTH
76410-48**	4	24	15.20	13.30	0.46±0.05
76410-15**	10	30	19.00	17.10	0.46±0.05
76410-48**	16	48	30.40	28.50	0.46±0.05
76410-8**	8	24	15.20	13.30	0.39±0.05
76410-15**	10	30	19.00	17.10	0.39±0.05
76410-48**	16	48	30.40	28.50	0.39±0.05

76410-\*\*\*

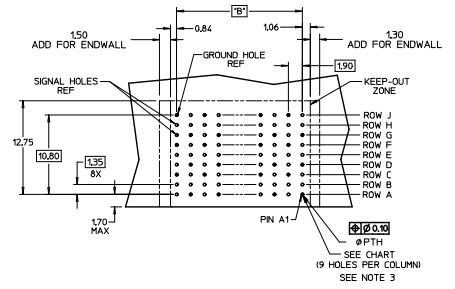
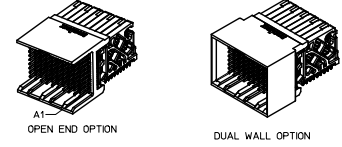
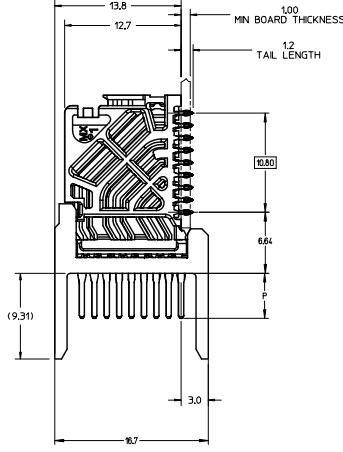
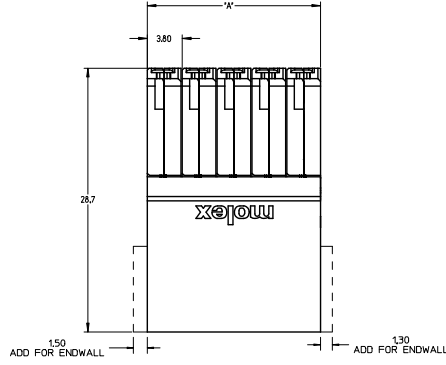
MODULE TYPE  
1 - UNGUIDED, LEAD-FREE

PIN LENGTH (P)  
4 = 4.90 (0.46 PTH)  
5 = 5.50 (0.46 PTH)  
7 = 4.90 (0.39 PTH)  
8 = 5.50 (0.39 PTH)

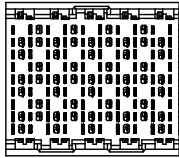
# OF COLUMNS  
1 - 10 COLUMNS  
6 - 16 COLUMNS  
8 - 8 COLUMNS

END WALL OPTIONS  
0 = OPEN ENDS  
1 = LEFT ENDWALL  
2 = DUAL ENDWALL  
3 = RIGHT ENDWALL

- NOTES:
1. MATERIALS: HOUSING - LIQUID CRYSTAL POLYMER (LCP), GLASS-FILLED, UL94V-0 TERMINALS - HIGH PERFORMANCE COPPER ALLOY
  2. FINISH 30UM SELECTIVE GOLD IN CONTACT AREA, SELECTIVE TIN ON PCB TAILS, NICKEL OVERALL.
  3. REFER TO MOLEX PRODUCT SPECIFICATION PS-76060-999 FOR PERFORMANCE SPECIFICATIONS AND ADDITIONAL PCB INFORMATION.
  4. EACH SIGNAL WAFER CONTAINS 2 COLUMNS OF TERMINALS.
  5. PRODUCT IS PACKAGED PER PK-70875-762.
  6. THIS PART CONFORMS TO CLASS B REQUIREMENTS OF COSMETIC SPEC PS-45499-002.
  7. REFER TO MOLEX SALES DRAWING SD-76195-001 FOR THE MATING RECEPTACLES.
  8. REFER TO MOLEX PCB ROUTING GUIDE AS-76060-990 FOR ANTI-PAD AND ROUTING RECOMMENDATIONS.
  9. OPEN WALL VERSION SHOWN FOR CLARITY.

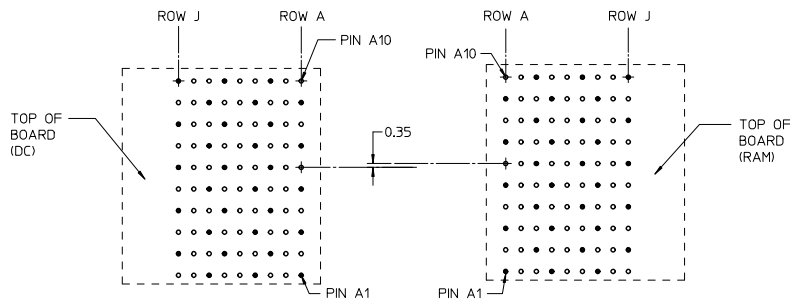
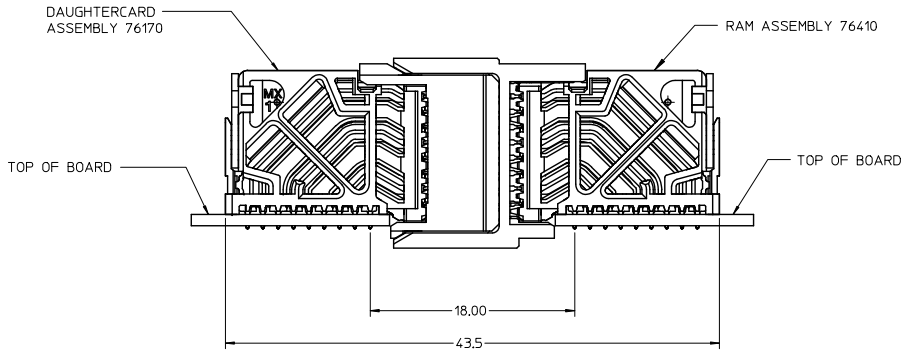


RAM HOLE PATTERN (CONNECTOR SIDE)



QUALITY SYMBOLS	GENERAL TOLERANCES (UNLESS SPECIFIED)		DIMENSION STYLE		SCALE	DESIGN UNITS	THIRD ANGLE PROJECTION
	mm	INCH	MM ONLY	DATE			
▽=0	4 PLACES ±	---	JLAURX	2008/10/21	5:1	METRIC	IMPACT 3 PAIR RAM UNGUIDED SIGNAL MODULE SALES DRAWING 
▽=0	3 PLACES ±	---	CHECKED BY	DATE			
▽=0	2 PLACES ±	0.13	JJONIAK	2008/10/21			
▽=0	1 PLACE ±	0.25	APPROVED BY	DATE			
	0 PLACE ±	---	JLAURX	2008/10/21			MATERIAL NO. _____ DOCUMENT NO. SD-76410-001 SHEET NO. 1 OF 2
DRAFT WHERE APPLICABLE MUST REMAIN WITHIN DIMENSIONS			ANGULAR ±1/2°		SEE TABLE		
THIS DRAWING CONTAINS INFORMATION THAT IS PROPRIETARY TO MOLEX INCORPORATED AND SHOULD NOT BE USED WITHOUT WRITTEN PERMISSION							

**COPLANAR APPLICATION**



**COPLANAR MATED SIGNAL PATHS**



SEE SHEET 1 EC NO: UCP2014-4965 DRAWN: GONZALEZ01 2014/05/27 CHKD: APPR: TEL0 2015/01/30 REV D2	QUALITY SYMBOLS	GENERAL TOLERANCES (UNLESS SPECIFIED)	DIMENSION STYLE	SCALE	DESIGN UNITS	THIRD ANGLE PROJECTION
	▽=0	mm INCH	MM ONLY	4:1	METRIC	
	▽=0	4 PLACES ± --- ± ---	DRAWN BY	TITLE		
	▽=0	3 PLACES ± --- ± ---	DATE	IMPACT 3 PAIR RAM		
	▽=0	2 PLACES ± 0.13 ± ---	CHECKED BY	UNGUIDED SIGNAL MODULE		
	1 PLACE ± 0.25 ± ---	DATE	SALES DRAWING			
	0 PLACE ± ±	APPROVED BY	<b>molex</b>			
	ANGULAR ±1/2°	DATE				
	DRAFT WHERE APPLICABLE MUST REMAIN WITHIN DIMENSIONS	MATERIAL NO.	DOCUMENT NO.		SHEET NO.	
		SEE TABLE	SD-76410-001		2 OF 2	
		THIS DRAWING CONTAINS INFORMATION THAT IS PROPRIETARY TO MOLEX INCORPORATED AND SHOULD NOT BE USED WITHOUT WRITTEN PERMISSION				