

## Excellent Integrated System Limited

Stocking Distributor

Click to view price, real time Inventory, Delivery & Lifecycle Information:

[Molex Connector Corporation](#)  
[0764101808](#)

For any questions, you can email us directly:

[sales@integrated-circuit.com](mailto:sales@integrated-circuit.com)

MATERIAL NUMBER	# OF COLUMNS	# OF OFF. PAR	DM 'A' MAX	DM 'B'	PTH
76410-48**	4	24	15.20	13.30	0.46±0.05
76410-15**	10	30	19.00	17.10	0.46±0.05
76410-48**	16	48	30.40	28.50	0.46±0.05
76410-8**	8	24	15.20	13.30	0.39±0.05
76410-15**	10	30	19.00	17.10	0.39±0.05
76410-48**	16	48	30.40	28.50	0.39±0.05

76410-\*\*\*

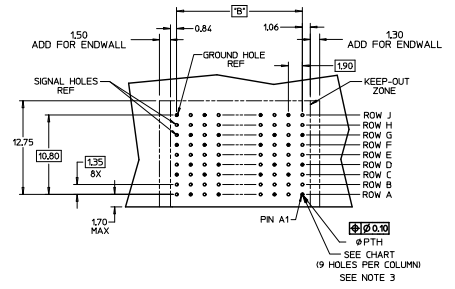
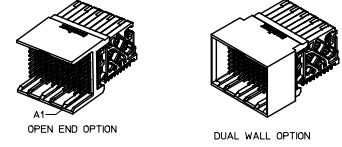
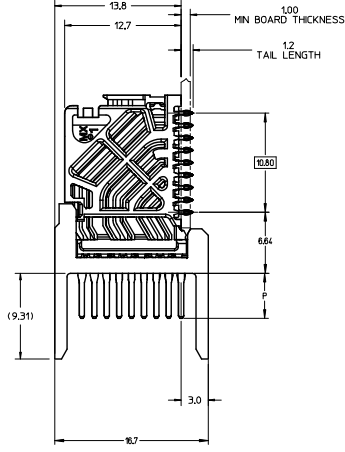
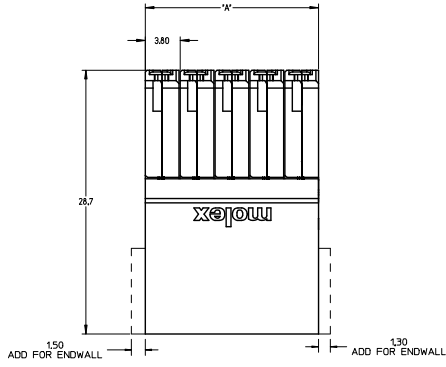
MODULE TYPE  
1 - UNGUIDED, LEAD-FREE

PIN LENGTH (P)  
4 = 4.90 (0.46 PTH)  
5 = 5.50 (0.46 PTH)  
7 = 4.90 (0.39 PTH)  
8 = 5.50 (0.39 PTH)

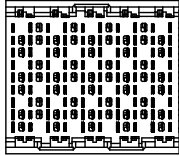
# OF COLUMNS  
1 - 10 COLUMNS  
6 - 16 COLUMNS  
8 - 8 COLUMNS

END WALL OPTIONS  
0 = OPEN ENDS  
1 = LEFT ENDWALL  
2 = DUAL ENDWALL  
3 = RIGHT ENDWALL

- NOTES:
1. MATERIALS: HOUSING - LIQUID CRYSTAL POLYMER (LCP), GLASS-FILLED, UL94V-0 TERMINALS - HIGH PERFORMANCE COPPER ALLOY
  2. FINISH 30UM SELECTIVE GOLD IN CONTACT AREA, SELECTIVE TIN ON PCB TAILS, NICKEL OVERALL.
  3. REFER TO MOLEX PRODUCT SPECIFICATION PS-76060-999 FOR PERFORMANCE SPECIFICATIONS AND ADDITIONAL PCB INFORMATION.
  4. EACH SIGNAL WAFER CONTAINS 2 COLUMNS OF TERMINALS.
  5. PRODUCT IS PACKAGED PER PR-70875-762.
  6. THIS PART CONFORMS TO CLASS B REQUIREMENTS OF COSMETIC SPEC PS-45499-002.
  7. REFER TO MOLEX SALES DRAWING SD-76195-001 FOR THE MATING RECEPTACLES.
  8. REFER TO MOLEX PCB ROUTING GUIDE AS-76060-990 FOR ANTI-PAD AND ROUTING RECOMMENDATIONS.
  9. OPEN WALL VERSION SHOWN FOR CLARITY.

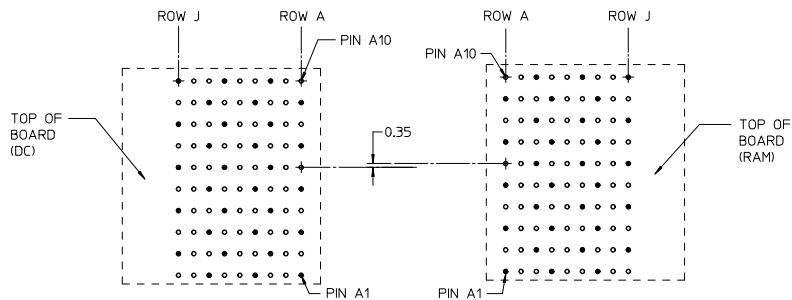
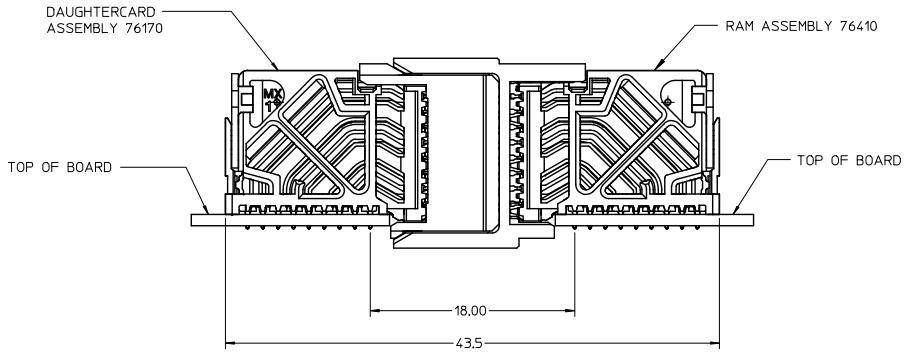


RAM HOLE PATTERN (CONNECTOR SIDE)



QUALITY SYMBOLS	GENERAL TOLERANCES (UNLESS SPECIFIED)		DIMENSION STYLE		SCALE	DESIGN UNITS	THIRD ANGLE PROJECTION
	mm	INCH	MM ONLY	DATE			
▽=0	4 PLACES ±	---	JLAURX	2008/10/21	5:1	METRIC	IMPACT 3 PAIR RAM UNGUIDED SIGNAL MODULE SALES DRAWING 
▽=0	3 PLACES ±	---	CHECKED BY	DATE			
▽=0	2 PLACES ±	0.13	JJONIAK	2008/10/21			
▽=0	1 PLACE ±	0.25	APPROVED BY	DATE			
▽=0	0 PLACE ±	---	JLAURX	2008/10/21			
ANGULAR ±1/2°			MATERIAL NO.		DOCUMENT NO.		SHEET NO.
DRAFT WHERE APPLICABLE MUST REMAIN WITHIN DIMENSIONS			SEE TABLE		SD-76410-001		1 OF 2
THIS DRAWING CONTAINS INFORMATION THAT IS PROPRIETARY TO MOLEX INCORPORATED AND SHOULD NOT BE USED WITHOUT WRITTEN PERMISSION							

COPLANAR APPLICATION



COPLANAR MATED SIGNAL PATHS



SEE SHEET 1 EC NO: UCP2014-4965 DRWNG: GONZALEZ01 - 2014/05/27 CHKD: APPR: TEL0 2015/01/30 D2 REV	QUALITY SYMBOLS	GENERAL TOLERANCES (UNLESS SPECIFIED)	DIMENSION STYLE	SCALE	DESIGN UNITS	THIRD ANGLE PROJECTION
	∇=0 ∇=0 ∇=0	mm INCH 4 PLACES ± --- ± --- 3 PLACES ± --- ± --- 2 PLACES ± 0.13 ± --- 1 PLACE ± 0.25 ± --- 0 PLACE ± ±	MM ONLY	4:1	METRIC	TITLE IMPACT 3 PAIR RAM UNGUIDED SIGNAL MODULE SALES DRAWING <b>molex</b>
	ANGULAR ±1/2° DRAFT WHERE APPLICABLE MUST REMAIN WITHIN DIMENSIONS	DRAWN BY JLAURX 2008/10/21 CHECKED BY JJONIAK 2008/10/21 APPROVED BY JLAURX 2008/10/21	MATERIAL NO. SEE TABLE SIZE C	DOCUMENT NO. SD-76410-001	SHEET NO. 2 OF 2	
	THIS DRAWING CONTAINS INFORMATION THAT IS PROPRIETARY TO MOLEX INCORPORATED AND SHOULD NOT BE USED WITHOUT WRITTEN PERMISSION					