

## Excellent Integrated System Limited

Stocking Distributor

Click to view price, real time Inventory, Delivery & Lifecycle Information:

[Molex Connector Corporation](#)  
[0764109108](#)

For any questions, you can email us directly:

[sales@integrated-circuit.com](mailto:sales@integrated-circuit.com)

MATERIAL NUMBER	# OF COLUMNS	# OF DIFF PAIR	DN 'A' MAX	DN 'B'	PTH
76410-08**	8	24	22,80	13,30	0,46±0,05
76410-10**	10	30	26,60	17,10	0,46±0,05
76410-14**	14	42	34,20	24,70	0,46±0,05
76410-16**	16	48	38,00	28,50	0,46±0,05
76410-08**	8	24	22,80	13,30	0,39±0,05
76410-10**	10	30	26,60	17,10	0,39±0,05
76410-14**	14	42	34,20	24,70	0,39±0,05
76410-16**	16	48	38,00	28,50	0,39±0,05

**76410-\*\*\***

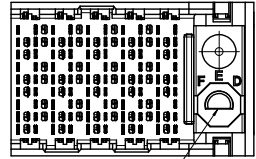
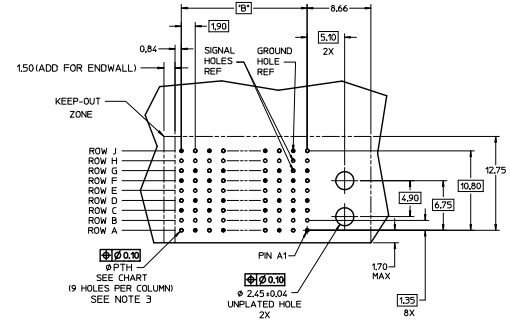
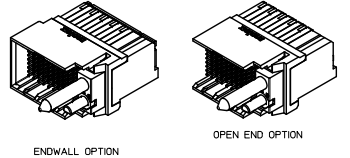
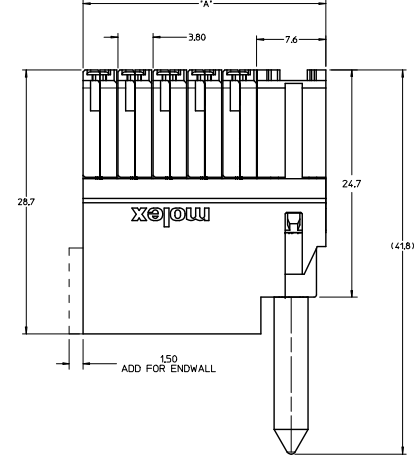
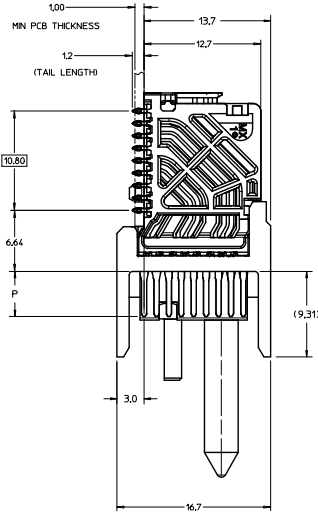
MODULE & TAIL PLATING TYPE  
 5 - RIGHT GUIDED LEAD-FREE  
 9 - RIGHT GUIDED LEAD-FREE W/ ENDWALL

# OF COLUMNS  
 1 = 10 COL  
 2 = 14 COL  
 3 = 16 COL  
 4 = 8 COL

POLARIZATION KEY ORIENTATION  
 0 = NO KEY  
 1 = A    5 = E  
 2 = B    6 = F  
 3 = C    7 = G  
 4 = D    8 = H

PIN LENGTH (P)  
 4 = 4,90 (0,46 PTH)  
 5 = 5,50 (0,46 PTH)  
 7 = 4,90 (0,39 PTH)  
 8 = 5,50 (0,39 PTH)

- NOTES:
- MATERIALS: HOUSING - LIQUID CRYSTAL POLYMER (LCP), GLASS-FILLED, UL94V-0
  - TERMINALS - HIGH PERFORMANCE COPPER ALLOY
  - FINISH: 30UM SELECTIVE GOLD IN CONTACT AREA, SELECTIVE TIN ON PCB TAILS, NICKEL OVERALL.
  - REFER TO MOLEX PRODUCT SPECIFICATION PS-76060-999 FOR PERFORMANCE SPECIFICATIONS AND ADDITIONAL PCB INFORMATION.
  - EACH SIGNAL WAFER CONTAINS 2 COLUMNS OF TERMINALS.
  - PRODUCT IS PACKAGED PER PK-70973-762.
  - THIS PART CONFORMS TO CLASS B REQUIREMENTS OF COSMETIC SPEC PS-15499-002.
  - REFER TO MOLEX SALES DRAWING SD-7610-002 FOR THE MATING RECEPTABLES.
  - REFER TO MOLEX PCB ROUTING GUIDE AS-76060-990 FOR ANTIAD AND ROUTING RECOMMENDATIONS.
  - WHEN USING MOLEX SUPPLIED #2-32 SCREW 73726-0005 (7,62 +0,38/-0,76 mm THREADABLE SCREW LENGTH), THE BOARD THICKNESS RANGE IS 1,00 TO 1,80 mm.
  - GUIDE RIGHT RAM MATES WITH A GUIDE LEFT DAUGHTERCARD.
  - OPEN END VERSION SHOWN FOR CLARITY.



RAM HOLE PATTERN (CONNECTOR SIDE)

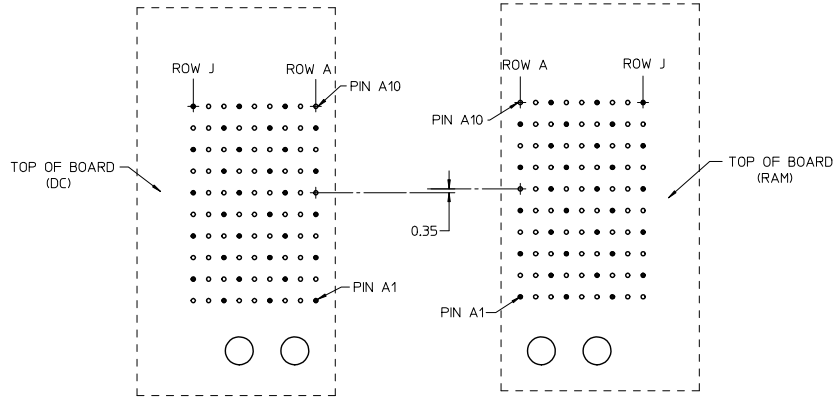
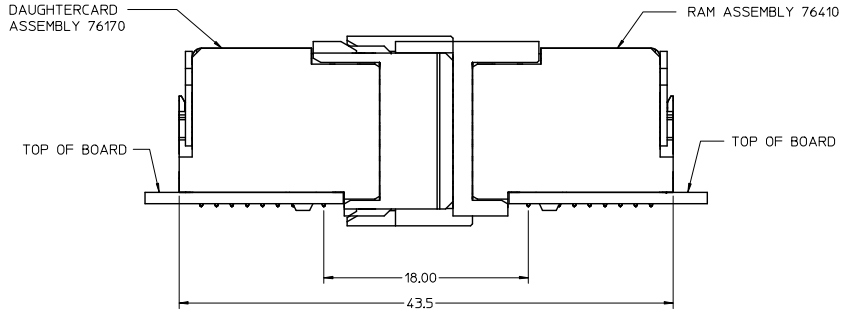
QUALITY SYMBOLS	GENERAL TOLERANCES (UNLESS SPECIFIED)	DIMENSION STYLE		SCALE	DESIGN UNITS	THIRD ANGLE PROJECTION
		MM ONLY	METRIC			
▽=0	4 PLACES ±---	mm	INCH	5:1	METRIC	THIRD ANGLE PROJECTION
▽=0	3 PLACES ±---	mm	INCH	5:1	METRIC	THIRD ANGLE PROJECTION
▽=0	2 PLACES ±0,13	mm	INCH	5:1	METRIC	THIRD ANGLE PROJECTION
▽=0	1 PLACE ±0,25	mm	INCH	5:1	METRIC	THIRD ANGLE PROJECTION
▽=0	0 PLACE ±---	mm	INCH	5:1	METRIC	THIRD ANGLE PROJECTION
DRAFT WHERE APPLICABLE MUST REMAIN WITHIN DIMENSIONS		ANGULAR ±1/2°		SEE TABLE		

DRAWN BY: JLAURX    DATE: 2008/10/21  
 CHECKED BY: JJONIAK    DATE: 2008/10/21  
 APPROVED BY: JLAURX    DATE: 2008/10/21

MATERIAL NO.    DOCUMENT NO.    SHEET NO.  
 SD-76410-004    SD-76410-004    1 OF 2

THIS DRAWING CONTAINS INFORMATION THAT IS PROPRIETARY TO MOLEX INCORPORATED AND SHOULD NOT BE USED WITHOUT WRITTEN PERMISSION

**COPLANAR APPLICATION**



**COPLANAR MATED SIGNAL PATHS**



SEE SHEET 1 EC NO: UCP2016-0079 DRAWN BY: MILLER CHKD: TELD APPR: TELD 2015/07/07 2015/07/07	QUALITY SYMBOLS	GENERAL TOLERANCES (UNLESS SPECIFIED)	DIMENSION STYLE	SCALE	DESIGN UNITS	THIRD ANGLE PROJECTION
	∇=0 ∇=0 ∇=0	mm INCH 4 PLACES ± --- ± --- 3 PLACES ± --- ± --- 2 PLACES ± 0.13 ± --- 1 PLACE ± 0.25 ± --- 0 PLACE ± ±	MM ONLY	4:1	METRIC	IMPACT 3 PAIR RAM GUIDE RIGHT SIGNAL MODULE SALES DWG <b>molex</b>
	ANGULAR ±1/2° DRAFT WHERE APPLICABLE MUST REMAIN WITHIN DIMENSIONS	DRAWN BY: JLAURX DATE: 2008/10/21 CHECKED BY: JJONIAK DATE: 2008/10/21 APPROVED BY: JLAURX DATE: 2008/10/21	MATERIAL NO. SEE TABLE	DOCUMENT NO. SD-76410-004	SHEET NO. 2 OF 2	
	THIS DRAWING CONTAINS INFORMATION THAT IS PROPRIETARY TO MOLEX INCORPORATED AND SHOULD NOT BE USED WITHOUT WRITTEN PERMISSION					