

Excellent Integrated System Limited

Stocking Distributor

Click to view price, real time Inventory, Delivery & Lifecycle Information:

[Molex Connector Corporation](#)
[0764503108](#)

For any questions, you can email us directly:

sales@integrated-circuit.com

MATERIAL NUMBER	# OF COLUMNS	# OF DIFF. PAR.	DM 'A' MAX	DM 'B'
76450-10*	10	20	26.60	17.10
76450-16*	16	32	38.00	28.50

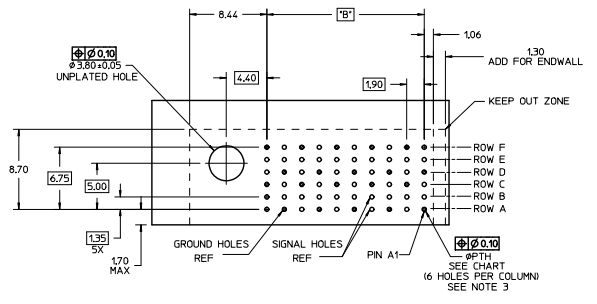
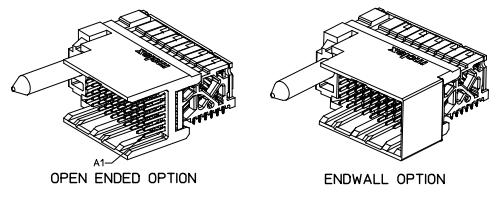
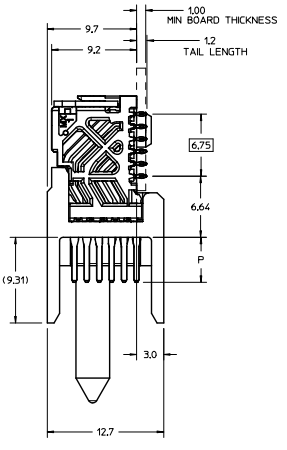
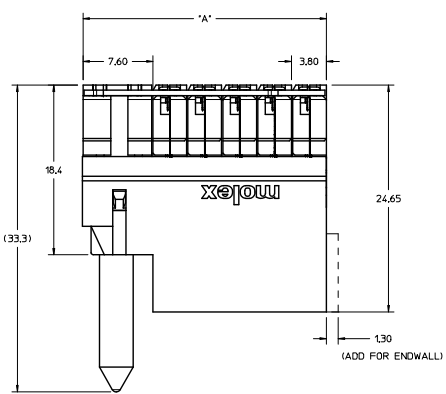
76450-***0*

MODULE TYPE
 3 - LEFT GUIDED LEAD-FREE
 7 - LEFT GUIDED LEAD-FREE W/ ENDWALL

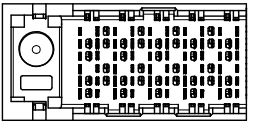
PIN LENGTH (P)
 4 - 4.90 (0.46 PTH)
 5 - 5.50 (0.46 PTH)
 7 - 4.90 (0.39 PTH)
 8 - 5.50 (0.39 PTH)

OF COLUMNS
 1 - 10 COL
 6 - 16 COL

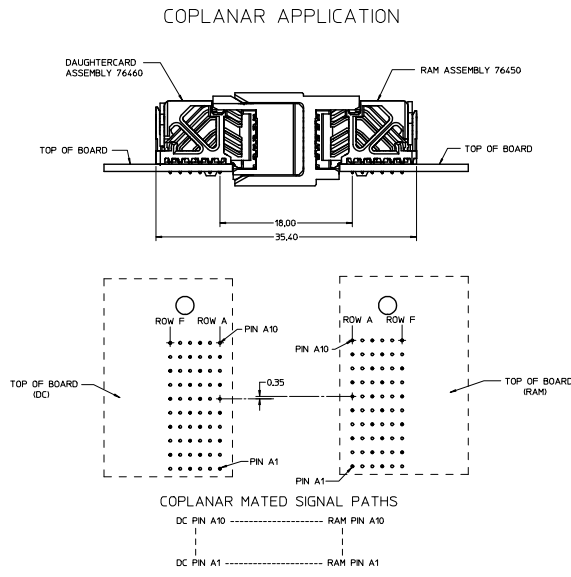
- NOTES:
1. MATERIALS: HOUSING - LIQUID CRYSTAL POLYMER (LCP), GLASS-FILLED, UL94V-0 TERMINALS - HIGH PERFORMANCE COPPER ALLOY
 2. FINISH: 30µm SELECTIVE GOLD IN CONTACT AREA, SELECTIVE TIN ON PCB TAILS, NICKEL OVERALL.
 3. FOR FURTHER INFORMATION SEE PRODUCT SPECIFICATION PS-76660-999.
 4. EACH SIGNAL WAFER CONTAINS 2 COLUMNS OF TERMINALS.
 5. PRODUCT TO BE PACKAGED PER PACKAGING SPECIFICATION PK-70873-077.
 6. THIS PART CONFORMS TO CLASS B REQUIREMENTS OF COSMETIC SPEC PS-45499-002.
 7. REFER TO MOLEX SALES DRAWING SD-76460-004 FOR MATING DAUGHTERCARDS.
 8. REFER TO MOLEX PCB ROUTING GUIDE AS-76666-990 FOR ANTI-PAD AND ROUTING RECOMMENDATIONS.
 9. WHEN USING MOLEX SUPPLIED #2-32 SCREW 73726-0005 (7.62 +0.38/-0.76 mm THREADABLE SCREW LENGTH), THE BOARD THICKNESS RANGE IS 1.60 TO 3.85 mm.



RAM HOLE PATTERN (CONNECTOR SIDE)



QUALITY SYMBOLS	GENERAL TOLERANCES (UNLESS SPECIFIED)		DIMENSION STYLE		SCALE	DESIGN UNITS	THIRD ANGLE PROJECTION
	mm	INCH	MM ONLY	INCH			
▽=0	4 PLACES ±---	±---	DRAWN BY	DATE	5:1	METRIC	IMPACT 100 OHM 2 PAIR RAM LEFT GUIDED SALES DRAWING
▽=0	3 PLACES ±---	±---	JJONIAK	2009/07/06			
▽=0	2 PLACES ±0.13	±---	CHECKED BY	DATE			
▽=0	1 PLACE ±0.25	±---	JLAURX	2009/07/06			
▽=0	0 PLACE ±---	±---	APPROVED BY	DATE			
	ANGULAR ±1/2°		MATERIAL NO.	DOCUMENT NO.			
	DRAFT WHERE APPLICABLE MUST REMAIN WITHIN DIMENSIONS		SEE TABLE	SD-76450-002			
			SIZE D THIS DRAWING CONTAINS INFORMATION THAT IS PROPRIETARY TO MOLEX INCORPORATED AND SHOULD NOT BE USED WITHOUT WRITTEN PERMISSION				



SEE SHEET 1 DEC. NO. 11/27/04-4388 DRAWN: JGONZALEZ/01 2010/05/07 CHECK: B5 APPROVED: JLAURX DATE: 2010/02/09	QUALITY SYMBOLS	GENERAL TOLERANCES (UNLESS SPECIFIED)	DIMENSION STYLE	SCALE	DESIGN UNITS	THIRD ANGLE PROJECTION	
		mm INCH	MM ONLY	5:1	METRIC		
	∇=0	4 PLACES ± --- ± ---	DRAWN BY	DATE	TITLE	IMPACT 100 OHM 2 PAIR RAM LEFT GUIDED SALES DRAWING	
	∇=0	3 PLACES ± --- ± ---	CHECKED BY	DATE	molex		
∇=0	2 PLACES ± 0.13 ± ---	APPROVED BY	DATE	DOCUMENT NO.			
	1 PLACE ± 0.25 ± ---	ANGULAR ±1/2°		SEE TABLE			2 OF 2
	0 PLACE ± --- ± ---	DRAFT WHERE APPLICABLE MUST REMAIN WITHIN DIMENSIONS		SIZE D THIS DRAWING CONTAINS INFORMATION THAT IS PROPRIETARY TO MOLEX INCORPORATED AND SHOULD NOT BE USED WITHOUT WRITTEN PERMISSION			