

Excellent Integrated System Limited

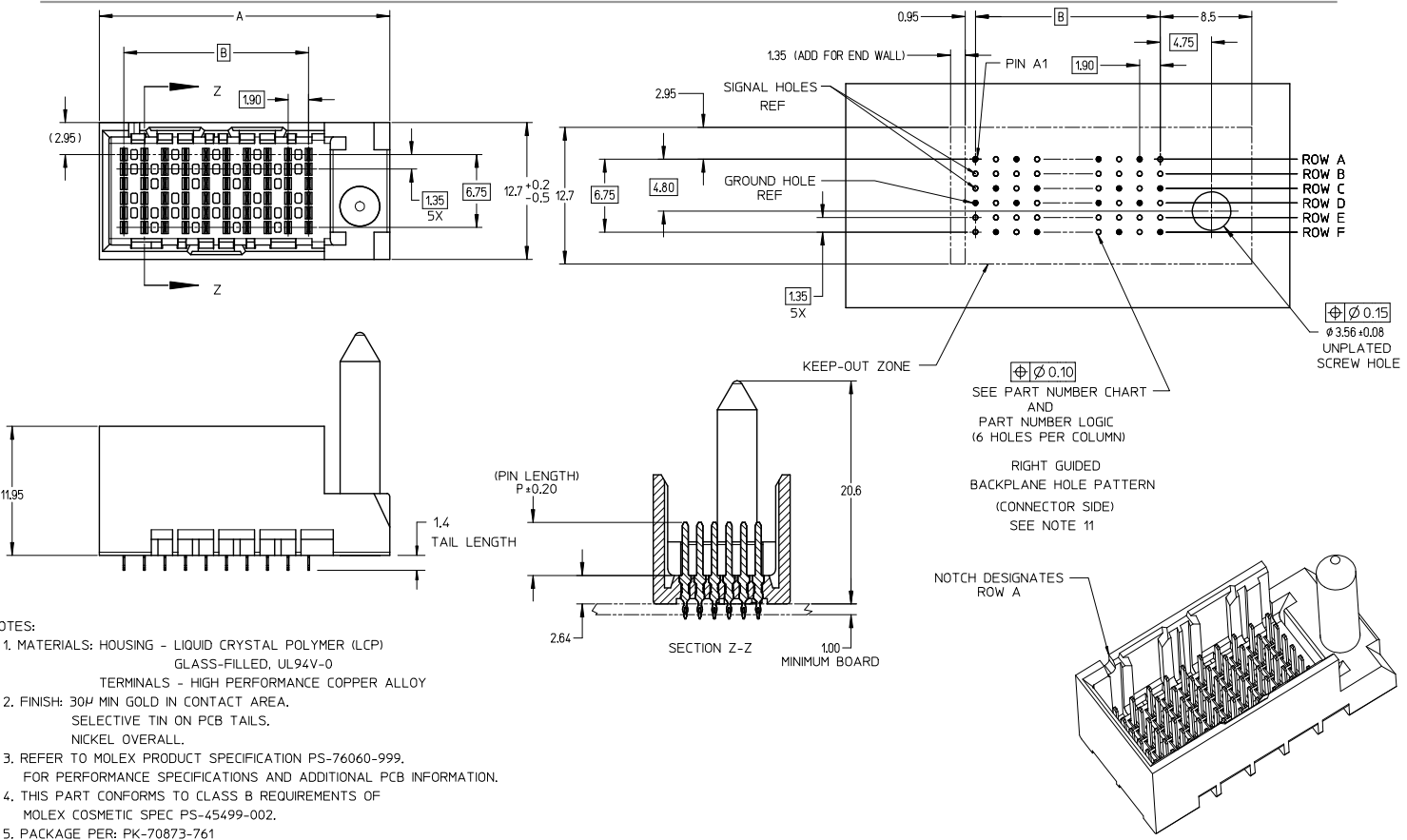
Stocking Distributor

Click to view price, real time Inventory, Delivery & Lifecycle Information:

[Molex Connector Corporation](#)
[0764559607](#)

For any questions, you can email us directly:

sales@integrated-circuit.com

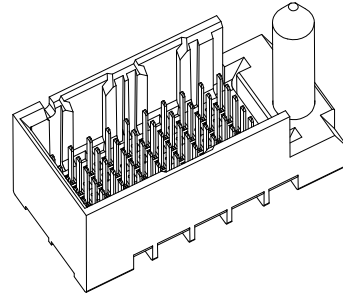


- NOTES:
1. MATERIALS: HOUSING - LIQUID CRYSTAL POLYMER (LCP)
GLASS-FILLED, UL94V-0
TERMINALS - HIGH PERFORMANCE COPPER ALLOY
 2. FINISH: 30µ MIN GOLD IN CONTACT AREA.
SELECTIVE TIN ON PCB TAILS.
NICKEL OVERALL.
 3. REFER TO MOLEX PRODUCT SPECIFICATION PS-76060-999.
FOR PERFORMANCE SPECIFICATIONS AND ADDITIONAL PCB INFORMATION.
 4. THIS PART CONFORMS TO CLASS B REQUIREMENTS OF
MOLEX COSMETIC SPEC PS-45499-002.
 5. PACKAGE PER: PK-70873-761
 6. SEE SHEETS 2 & 3 FOR PART NUMBERS AND BOARD RELATIONSHIPS.
 7. MATES WITH IMPACT DC SERIES NO. 76460.
 8. KEEP OUT ZONE FOR BP HOUSING LENGTH INCLUDES AN ADDITIONAL 1.0MM
TO ACCOMMODATE FOR SPACE REQUIRED BY DC FRONT HOUSING.
 9. REFER TO MOLEX PCB ROUTING GUIDE AS-76060-990 FOR ANTIPAD AND
ROUTING RECOMMENDATIONS.
 10. CONNECTORS SUPPLIED WITH A 2-56 UNC-2A SCREW.
 11. *THESE DIMENSIONS REPRESENT THE AREA NEEDED TO ACCOMMODATE CONNECTOR
INSERTION AND REPAIR ON THE PC BOARD. THIS IS REFERRED TO AS THE
"CONNECTOR KEEP OUT ZONE" AND DOES NOT REPRESENT THE ACTUAL PERIMETER
OF THE CONNECTOR. WHEN LAYING OUT A PC BOARD FOR CONNECTORS STACKED
TOGETHER, USE A 1.9mm PROGRESSION.*

| | | | | | | | | | | | |
|---|---------------------|--|--|--|--|--------------|--------------|--|--|---------------------|--|
| CONVERT TO LEAD-FREE EC NO: UCP2015-2078 DRAWN BY: BARRA 2012/12/17 CHKD BY: INGRAM 2012/12/18 APPR: SMILLER 2012/12/21 G REV | QUALITY SYMBOLS | GENERAL TOLERANCES (UNLESS SPECIFIED) | | DIMENSION STYLE | | SCALE | DESIGN UNITS | THIRD ANGLE PROJECTION | | | |
| | | | | MM ONLY | | 4:1 | METRIC | | | | |
| | | 4 PLACES ± --- ± --- 3 PLACES ± --- ± --- 2 PLACES ± 0.13 ± --- 1 PLACE ± 0.25 ± --- 0 PLACE ± --- ± --- | | DRAWN BY: MSANDBERG CHECKED BY: JLAURX APPROVED BY: JLAURX DATE: 2008/03/12 DATE: 2008/03/12 DATE: 2010/10/15 | | TITLE | | IMPACT 2 PAIR HEADER RIGHT GUIDED ASSEMBLY SALES DRAWING | | | |
| | | ANGULAR ±1/2° DRAFT WHERE APPLICABLE MUST REMAIN WITHIN DIMENSIONS | | MATERIAL NO. SEE TABLE SIZE C | | DOCUMENT NO. | | SD-76455-003 | | SHEET NO. 1 OF 3 | |

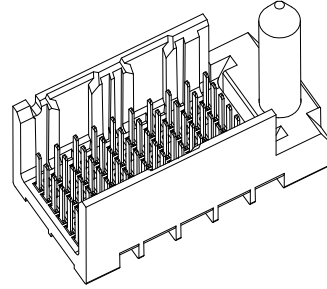
PART NUMBER TABLE

| MATERIAL NUMBER | # OF COLUMNS | # OF DIFF PAIR | DIM 'A' | DIM 'B' | GUIDE RIGHT END WALL OPTION |
|-----------------|--------------|----------------|---------|---------|-----------------------------------|
| 76455-*10* | 10 | 20 | 26.9 | 17.10 | |
| 76455-*60* | 16 | 32 | 38.3 | 28.50 | |



GUIDE RIGHT
END WALL
OPTION

| MATERIAL NUMBER | # OF COLUMNS | # OF DIFF PAIR | DIM 'A' | DIM 'B' | GUIDE RIGHT OPEN WALL OPTION |
|-----------------|--------------|----------------|---------|---------|------------------------------------|
| 76455-*10* | 10 | 20 | 25.5 | 17.10 | |
| 76455-*60* | 16 | 32 | 36.9 | 28.50 | |



GUIDE RIGHT
OPEN WALL
OPTION

PART NUMBER LOGIC

76455-* * 0 *

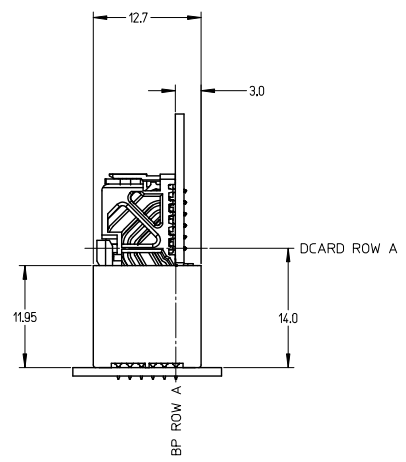
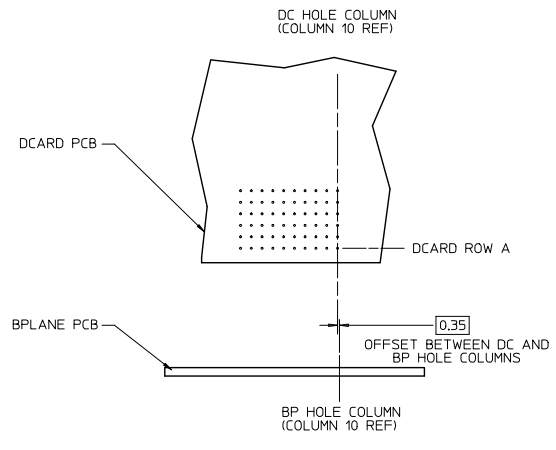
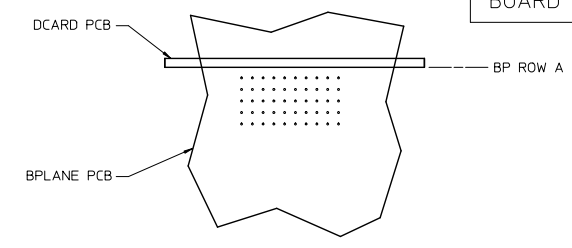
MODULE TYPE
5 = GUIDE RIGHT, TIN
9 = GUIDE RIGHT END WALL, TIN

PIN LENGTH (P)
3 = 4.50 (SHORT COMPLIANT, 0.46±0.05 PTH)
4 = 4.90 (SHORT COMPLIANT, 0.46±0.05 PTH)
5 = 5.50 (SHORT COMPLIANT, 0.46±0.05 PTH)
6 = 4.50 (MICRO COMPLIANT, 0.39±0.05 PTH)
7 = 4.90 (MICRO COMPLIANT, 0.39±0.05 PTH)
8 = 5.50 (MICRO COMPLIANT, 0.39±0.05 PTH)

OF COLUMNS
1 = 10 COL
6 = 16 COL

| | | | | | | |
|---|--|--|---------------------------|------------------------------|---------------------|--|
| SEE SHEET 1 EC NO: UCP2015-2078 2012/12/17 DRAWN BY: IBARRA 2012/12/18 CHECKED BY: INGHAM 2012/12/18 APPROVED BY: MILLER 2012/12/18 DESCRIPTION REV | QUALITY SYMBOLS | GENERAL TOLERANCES (UNLESS SPECIFIED) | DIMENSION STYLE | SCALE | DESIGN UNITS | THIRD ANGLE PROJECTION |
| | $\nabla = 0$ $\nabla = 0$ $\nabla = 0$ | 4 PLACES ± --- ± --- 3 PLACES ± --- ± --- 2 PLACES ± 0.13 ± --- 1 PLACE ± 0.25 ± --- 0 PLACE ± --- ± --- | MM ONLY | 4:1 | METRIC | TITLE IMPACT 2 PAIR HEADER RIGHT GUIDED ASSEMBLY SALES DRAWING molex |
| | ANGULAR ± 1/2° DRAFT WHERE APPLICABLE MUST REMAIN WITHIN DIMENSIONS | DRAWN BY: MSANDBERG DATE: 2008/03/12 CHECKED BY: JLAURX DATE: 2008/03/12 APPROVED BY: JLAURX DATE: 2010/10/15 | MATERIAL NO. SEE TABLE | DOCUMENT NO. SD-76455-003 | SHEET NO. 2 OF 3 | |
| | THIS DRAWING CONTAINS INFORMATION THAT IS PROPRIETARY TO MOLEX INCORPORATED AND SHOULD NOT BE USED WITHOUT WRITTEN PERMISSION | | | | | |

IMPACT 2 PAIR
BOARD RELATIONSHIPS



| | | | | | | | | |
|---|--------------------------------------|--|--|----------------------------|--------------------|---|------------------------|--|
| SEE SHEET 1 EC. NO: UCP2013-2078 DRAWN BY: BARBA 2012/12/17 CHECKED BY: INGHAM 2012/12/18 APPR: MILLER 2012/12/21 | QUALITY SYMBOLS ∇=0 ∇=0 ∇=0 | GENERAL TOLERANCES (UNLESS SPECIFIED) | | DIMENSION STYLE MM ONLY | | SCALE 2:1 | DESIGN UNITS METRIC | THIRD ANGLE PROJECTION |
| | | 4 PLACES ± --- ± --- 3 PLACES ± --- ± --- 2 PLACES ± 0.13 ± --- 1 PLACE ± 0.25 ± --- 0 PLACE ± --- ± --- | mm INCH --- --- --- --- --- --- --- --- --- --- | DRAWN BY MSANDBERG | DATE 2008/03/12 | TITLE IMPACT 2 PAIR HEADER RIGHT GUIDED ASSEMBLY SALES DRAWING | | molex |
| REV G | DESCRIPTION | ANGULAR ± 1/2° DRAFT WHERE APPLICABLE MUST REMAIN WITHIN DIMENSIONS | | MATERIAL NO. SEE TABLE | DATE 2010/10/15 | OCCUPENT NO. SD-76455-003 | SHEET NO. 3 OF 3 | THIS DRAWING CONTAINS INFORMATION THAT IS PROPRIETARY TO MOLEX INCORPORATED AND SHOULD NOT BE USED WITHOUT WRITTEN PERMISSION |