

Excellent Integrated System Limited

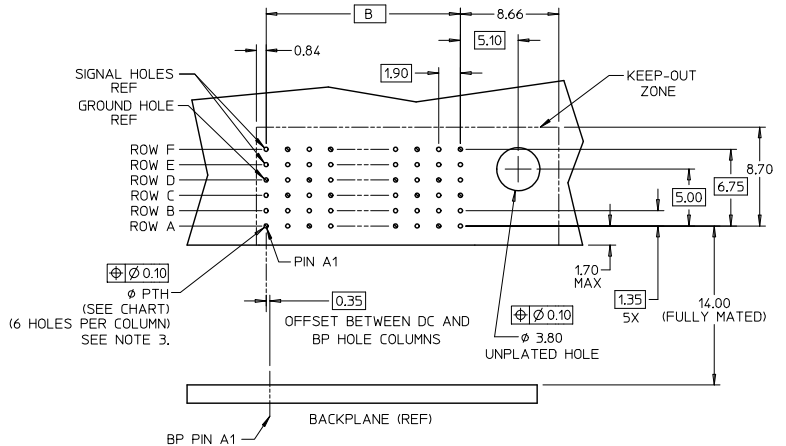
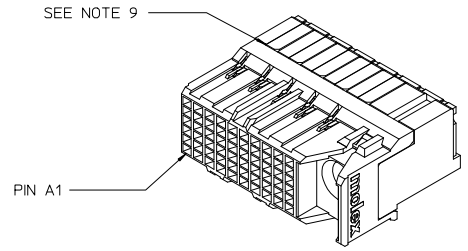
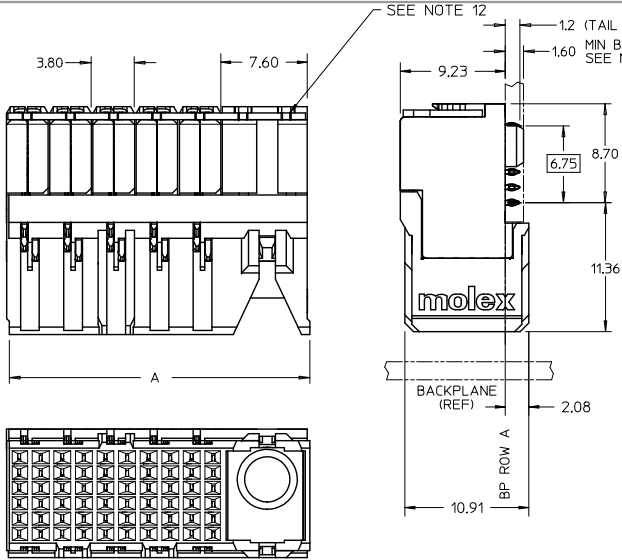
Stocking Distributor

Click to view price, real time Inventory, Delivery & Lifecycle Information:

[Molex Connector Corporation](#)
[0764605016](#)

For any questions, you can email us directly:

sales@integrated-circuit.com



DAUGHTERCARD HOLE PATTERN (CONNECTOR SIDE)

NOTES:

1. MATERIALS: HOUSING - LIQUID CRYSTAL POLYMER (LCP), GLASS-FILLED, UL94V-0
TERMINALS - HIGH PERFORMANCE COPPER ALLOY
2. FINISH: 304N MIN SELECTIVE GOLD IN CONTACT AREA, SELECTIVE TIN ON PCB TAILS, NICKEL OVERALL.
3. REFER TO MOLEX PRODUCT SPEC PS-76060-999 FOR PERFORMANCE SPECIFICATIONS AND ADDITIONAL PCB INFORMATION.
4. EACH SIGNAL WAFER CONTAINS 2 COLUMNS OF TERMINALS.
5. PRODUCT IS PACKAGED PER PK-70873-592.
6. THIS PART CONFORMS TO CLASS B REQUIREMENTS OF COSMETIC SPEC PS-45499-002.
7. REFER TO MOLEX SALES DRAWING SD-76455-003 FOR THE MATING HEADERS AND SD-76450-002 FOR MATING RAM.
8. REFER TO MOLEX PCB ROUTING GUIDE AS-76060-990 FOR ANTIPAD AND ROUTING RECOMMENDATIONS.
9. PART NUMBER 76460-5020 SHOWN ON DRAWING. KEYING FEATURES WILL CHANGE WITH COLUMN SIZE.
10. MINIMUM BOARD THICKNESS IS 1.60 mm FOR COMPLIANT PIN FUNCTIONALITY.
11. WHEN USING MOLEX SUPPLIED #2-32 SCREW 73726-4000 (4.31mm ±0.38 THREADABLE SCREW LENGTH), THE MAXIMUM BOARD THICKNESS IS 1.8 mm TO 2.4 mm.
12. THIS NOTCH IS A DIE NOTCH. IT IS SHOWN TO IDENTIFY ITS PRESENCE, NOT ITS POSITION. (THIS WILL VARY WITH PART LENGTH), IT SERVES NO PURPOSE IN THE FINISHED ASSEMBLY.

ADDED NOTE 12 EC NO: UCP2014-4661 2014/05/28 DRW:WHITPLE CHK:BJORGAN APPR:SMILLER 2014/07/23	QUALITY SYMBOLS ∇=0 ∇=0 ∇=0	GENERAL TOLERANCES (UNLESS SPECIFIED)		DIMENSION STYLE MM ONLY		SCALE 4:1	DESIGN UNITS METRIC	THIRD ANGLE PROJECTION
		4 PLACES ± --- ± --- 3 PLACES ± --- ± --- 2 PLACES ± 0.13 ± --- 1 PLACE ± 0.25 ± --- 0 PLACE ± --- ± ---	mm INCH ± --- ± --- ± --- ± --- ± --- ± --- ± --- ± ---	DRAWN BY JLAURX	DATE 2008/04/11	CHECKED BY JLAURX	DATE 2008/04/11	TITLE IMPACT 100 OHM DC 2 PAIR SIGNAL MODULE GUIDE RIGHT SALES DWG
		ANGULAR ±1/2°		MATERIAL NO. SEE CHART		DOCUMENT NO. SD-76460-004		SHEET NO. 1 OF 2
DRAFT WHERE APPLICABLE MUST REMAIN WITHIN DIMENSIONS		THIS DRAWING CONTAINS INFORMATION THAT IS PROPRIETARY TO MOLEX INCORPORATED AND SHOULD NOT BE USED WITHOUT WRITTEN PERMISSION						

MATERIAL NUMBER	# OF COLUMNS	# OF DIFF PAIR	DIM 'A' MAX	DIM 'B'	PTH ϕ
76460-*010	10	20	26.60	17.10	0.46
76460-*016	16	32	38.00	28.50	+0.05
76460*020	10	20	26.60	17.10	0.39
76460-*026	16	32	38.00	28.50	+0.05

76460-*0**

MODULE & TAIL PLATING TYPE
5 = RIGHT GUIDED LEAD-FREE

OF COLUMNS
10 = 10 COL 0.46 PTH
16 = 16 COL 0.46 PTH
20 = 10 COL 0.39 PTH
26 = 16 COL 0.39 PTH

SEE SHEET 1 EC NO: UCP2014-4841 DRAWN BY: DRWNRHITPLE 2014/05/20 CHECKED BY: CHKRBORGAN 2014/05/20 APPR: SMILLER 2014/07/23	QUALITY SYMBOLS	GENERAL TOLERANCES (UNLESS SPECIFIED)	DIMENSION STYLE	SCALE	DESIGN UNITS	THIRD ANGLE PROJECTION
	▽=0	mm INCH	MM ONLY	4:1	METRIC	
	▽=0	4 PLACES ± --- ± ---	DRAWN BY DATE	TITLE IMPACT 100 OHM DC 2 PAIR SIGNAL MODULE GUIDE RIGHT SALES DWG molex		
	▽=0	3 PLACES ± --- ± ---	CHECKED BY DATE			
	▽=0	2 PLACES ± 0.13 ± ---	APPROVED BY DATE			
▽=0	1 PLACE ± 0.25 ± ---	JLAURX 2008/04/11				
▽=0	0 PLACE ± --- ± ---	JLAURX 2008/04/11				
	ANGULAR ±1/2°	MATERIAL NO.	DOCUMENT NO.	SHEET NO.		
	DRAFT WHERE APPLICABLE MUST REMAIN WITHIN DIMENSIONS	SEE CHART	SD-76460-004	2 OF 2		
		SIZE C	THIS DRAWING CONTAINS INFORMATION THAT IS PROPRIETARY TO MOLEX INCORPORATED AND SHOULD NOT BE USED WITHOUT WRITTEN PERMISSION			