

## Excellent Integrated System Limited

Stocking Distributor

Click to view price, real time Inventory, Delivery & Lifecycle Information:

[Molex Connector Corporation](#)  
[0765001117](#)

For any questions, you can email us directly:

[sales@integrated-circuit.com](mailto:sales@integrated-circuit.com)

MATERIAL NUMBER	# OF COLUMNS	# OF DIFF PAIR	DM 'A' MAX	DM 'B'	PTH $\phi$
76500-8**	8	32	15.20	13.30	0.46±0.05
76500-16**	10	40	19.00	17.10	0.46±0.05
76500-6**	16	64	30.40	28.50	0.46±0.05
76500-8**	8	32	15.20	13.30	0.39±0.05
76500-16**	10	40	19.00	17.10	0.39±0.05
76500-6**	16	64	30.40	28.50	0.39±0.05

**76500-\*\*\*\***

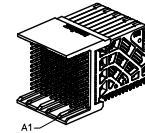
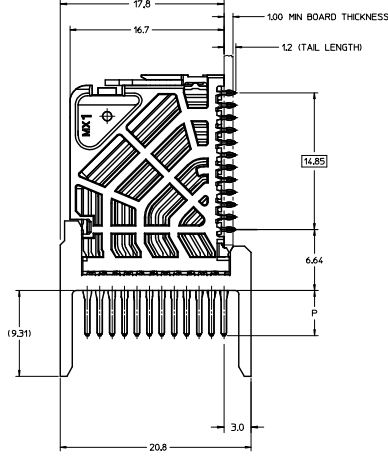
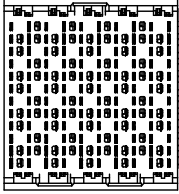
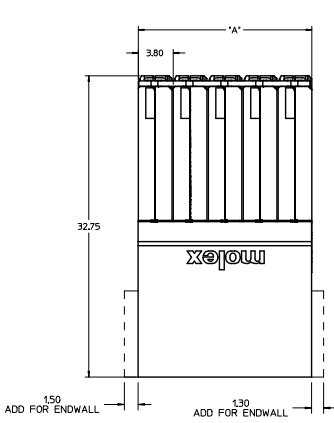
MODULE TYPE  
1 = UNGUIDED, LEAD-FREE

PIN LENGTH (P)  
4 = 4.90 (0.46 PTH)  
5 = 5.50 (0.66 PTH)  
7 = 4.90 (0.39 PTH)  
8 = 5.50 (0.39 PTH)

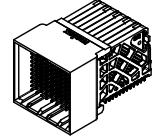
# OF COLUMNS  
1 = 10 COLUMNS  
6 = 16 COLUMNS  
8 = 8 COLUMNS

END WALL OPTIONS  
0 = OPEN ENDS  
1 = LEFT ENDWALL  
2 = DUAL ENDWALL  
3 = RIGHT ENDWALL

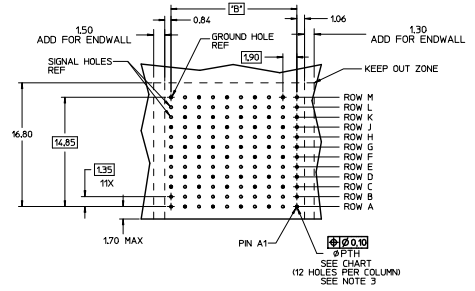
- NOTES:
1. MATERIALS: HOUSING - LIQUID CRYSTAL POLYMER (LCP), GLASS-FILLED UL94V-0 TERMINALS - HIGH PERFORMANCE COPPER ALLOY
  2. FINISH: 30MIN SELECTIVE GOLD IN CONTACT AREA, SELECTIVE TIN ON PCB TAILS, NICKEL OVERALL.
  3. REFER TO MOLEX PRODUCT SPECIFICATION PS-76060-999 FOR PERFORMANCE SPECIFICATIONS AND ADDITIONAL PCB INFORMATION.
  4. EACH SIGNAL WAFER CONTAINS 2 COLUMNS OF TERMINALS.
  5. PRODUCT IS PACKAGED PER PK-70873-041.
  6. THIS PART CONFORMS TO CLASS B REQUIREMENTS OF COSMETIC SPEC PS-45499-002.
  7. REFER TO MOLEX SALES DRAWING SD-76160-001 FOR THE MATING RECEPTABLES.
  8. REFER TO MOLEX PCB ROUTING GUIDE AS-76060-990 FOR ANTIPAD AND ROUTING RECOMMENDATIONS.



A1 OPEN END OPTION

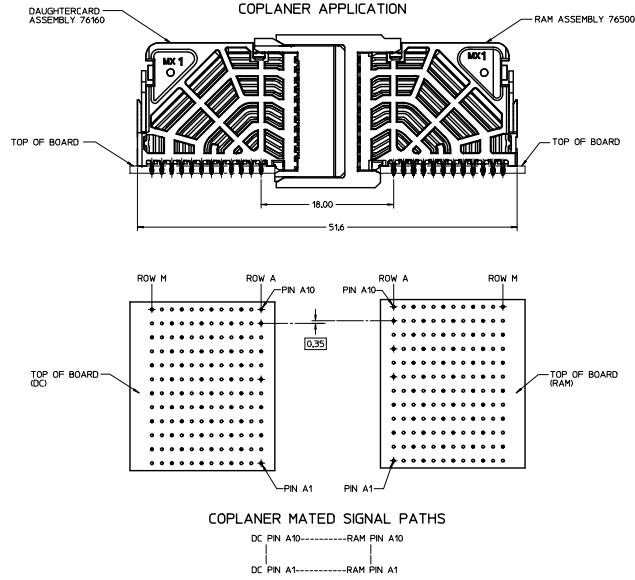


DUAL WALL OPTION



RAM HOLE PATTERN (CONNECTOR SIDE)

LAYOUT DRAM HOLE LAYOUT DEC NO. 076500-4979 DRAWN: GONZALEZ01 20/06/28 CHKD: APPRELO 20/06/28 DZ	QUALITY SYMBOLS ∇=0 ∇=0 ∇=0	GENERAL TOLERANCES (UNLESS SPECIFIED) mm INCH		DIMENSION STYLE MM ONLY		SCALE	DESIGN UNITS	THIRD ANGLE PROJECTION
		4 PLACES	±0.10	±0.005	MM ONLY	5:1	METRIC	
		3 PLACES	±0.13	±0.010				
		2 PLACES	±0.25	±0.020				
		1 PLACE	±0.50	±0.050				
		0 PLACE	±0.75	±0.075				
		ANGULAR ±1/2°		MATERIAL NO. SEE TABLE		DOCUMENT NO.	SD-76500-001	SHEET NO.
		DRAFT WHERE APPLICABLE MUST REMAIN WITHIN DIMENSIONS		SIZE D THIS DRAWING CONTAINS INFORMATION THAT IS PROPRIETARY TO MOLEX INCORPORATED AND SHOULD NOT BE USED WITHOUT WRITTEN PERMISSION				1 OF 2



SEE SHEET 1 DEC. NO. 147204-4979 DRAWN: JGONZALEZ01 20/11/05/28 CHECK: JAPPELLO 20/05/01/29 APPR: DZ	QUALITY SYMBOLS ∇=0 ∇=0 ∇=0	GENERAL TOLERANCES (UNLESS SPECIFIED) <table border="1"> <tr> <th></th> <th>mm</th> <th>INCH</th> </tr> <tr> <td>4 PLACES</td> <td>±---</td> <td>±---</td> </tr> <tr> <td>3 PLACES</td> <td>±---</td> <td>±---</td> </tr> <tr> <td>2 PLACES</td> <td>±0.13</td> <td>±0.010</td> </tr> <tr> <td>1 PLACE</td> <td>±0.25</td> <td>±---</td> </tr> <tr> <td>0 PLACE</td> <td>±---</td> <td>±---</td> </tr> </table>		mm	INCH	4 PLACES	±---	±---	3 PLACES	±---	±---	2 PLACES	±0.13	±0.010	1 PLACE	±0.25	±---	0 PLACE	±---	±---	DIMENSION STYLE MM ONLY	SCALE 4:1	DESIGN UNITS METRIC	THIRD ANGLE PROJECTION
		mm	INCH																					
4 PLACES	±---	±---																						
3 PLACES	±---	±---																						
2 PLACES	±0.13	±0.010																						
1 PLACE	±0.25	±---																						
0 PLACE	±---	±---																						
DRAWN BY: JLAURX CHECKED BY: JLAURX APPROVED BY: JLAURX DATE: 2008/11/24 DATE: 2008/11/25 DATE: 2008/11/26	TITLE IMPACT 4 PAIR RAM UNGUIDED SIGNAL MODULE SALES DRAWING	MATERIAL NO. SEE TABLE	DOCUMENT NO. SD-76500-001	SHEET NO. 2 OF 2	molex																			