

## Excellent Integrated System Limited

Stocking Distributor

Click to view price, real time Inventory, Delivery & Lifecycle Information:

[Molex Connector Corporation](#)  
[0765001618](#)

For any questions, you can email us directly:

[sales@integrated-circuit.com](mailto:sales@integrated-circuit.com)

MATERIAL NUMBER	# OF COLUMNS	# OF DIFF PAIR	DM 'A' MAX	DM 'B'	PTH $\phi$
76500-8**	8	32	15.20	13.30	0.46±0.05
76500-16**	10	40	19.00	17.10	0.46±0.05
76500-6**	16	64	30.40	28.50	0.46±0.05
76500-8**	8	32	15.20	13.30	0.39±0.05
76500-16**	10	40	19.00	17.10	0.39±0.05
76500-6**	16	64	30.40	28.50	0.39±0.05

76500-\*\*\*

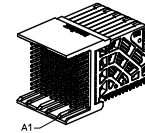
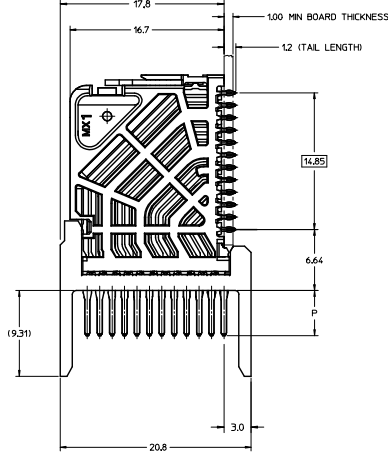
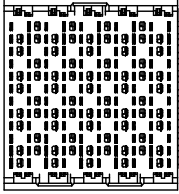
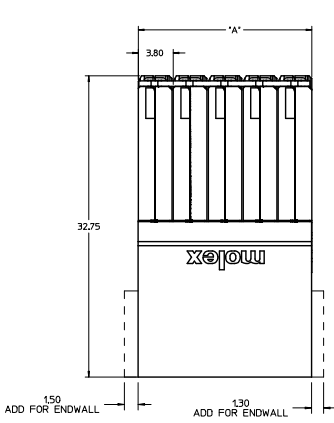
MODULE TYPE  
1 = UNGUIDED, LEAD-FREE

PIN LENGTH (P)  
4 = 4.90 (0.46 PTH)  
5 = 5.50 (0.66 PTH)  
7 = 4.90 (0.39 PTH)  
8 = 5.50 (0.39 PTH)

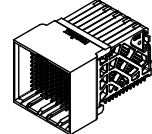
# OF COLUMNS  
1 = 10 COLUMNS  
6 = 16 COLUMNS  
8 = 8 COLUMNS

END WALL OPTIONS  
0 = OPEN ENDS  
1 = LEFT ENDWALL  
2 = DUAL ENDWALL  
3 = RIGHT ENDWALL

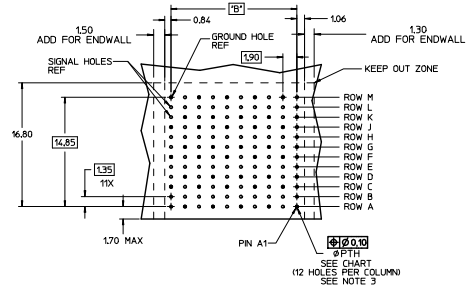
- NOTES:
1. MATERIALS: HOUSING - LIQUID CRYSTAL POLYMER (LCP), GLASS-FILLED UL94V-0 TERMINALS - HIGH PERFORMANCE COPPER ALLOY
  2. FINISH: 30MIN SELECTIVE GOLD IN CONTACT AREA, SELECTIVE TIN ON PCB TAILS, NICKEL OVERALL.
  3. REFER TO MOLEX PRODUCT SPECIFICATION PS-76060-999 FOR PERFORMANCE SPECIFICATIONS AND ADDITIONAL PCB INFORMATION.
  4. EACH SIGNAL WAFER CONTAINS 2 COLUMNS OF TERMINALS.
  5. PRODUCT IS PACKAGED PER PK-70873-041.
  6. THIS PART CONFORMS TO CLASS B REQUIREMENTS OF COSMETIC SPEC PS-45499-002.
  7. REFER TO MOLEX SALES DRAWING SD-76160-001 FOR THE MATING RECEPTABLES.
  8. REFER TO MOLEX PCB ROUTING GUIDE AS-76060-990 FOR ANTIPAD AND ROUTING RECOMMENDATIONS.



A1 OPEN END OPTION

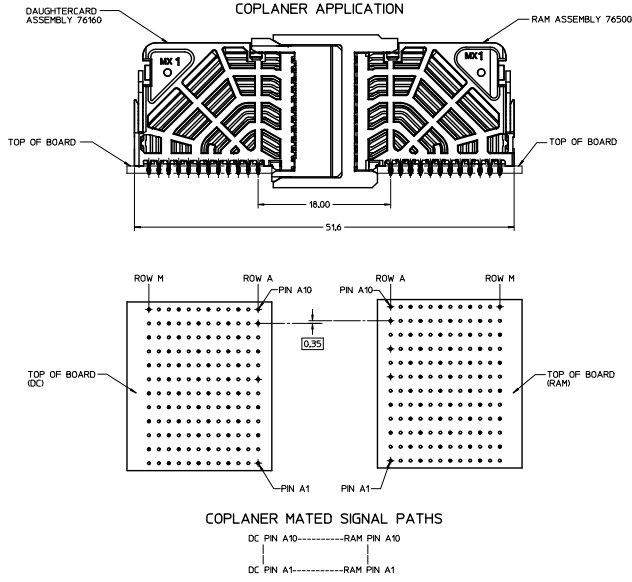


DUAL WALL OPTION



RAM HOLE PATTERN (CONNECTOR SIDE)

IMPACT DRAWING LAYOUT DEC NO. 10/27/04-4979 DRAWN: GONZALEZ01 20/06/08 CHKD: APPRELO 20/05/09 REV:	QUALITY SYMBOLS $\nabla=0$ $\nabla=0$ $\nabla=0$	GENERAL TOLERANCES (UNLESS SPECIFIED) mm INCH 4 PLACES ±--- ±--- 3 PLACES ±--- ±.005 2 PLACES ±0.13 ±.010 1 PLACE ±0.25 ±--- 0 PLACE ±--- ±---	DIMENSION STYLE MM ONLY DRAWN BY JOUILLES CHECKED BY JLAURX APPROVED BY JLAURX DATE 2008/11/24 DATE 2008/11/25 DATE 2008/11/26	SCALE 5:1 DESIGN UNITS METRIC THIRD ANGLE PROJECTION	TITLE IMPACT 4 PAIR RAM UNGUIDED SIGNAL MODULE SALES DRAWING	MATERIAL NO. SEE TABLE ANGLE ±1/2° DRAFT WHERE APPLICABLE MUST REMAIN WITHIN DIMENSIONS	DOCUMENT NO. SD-76500-001 SHEET NO. 1 OF 2
	THIS DRAWING CONTAINS INFORMATION THAT IS PROPRIETARY TO MOLEX INCORPORATED AND SHOULD NOT BE USED WITHOUT WRITTEN PERMISSION						



<b>QUALITY SYMBOLS</b> ▽=0 ▽=0 ▽=0	<b>GENERAL TOLERANCES (UNLESS SPECIFIED)</b> mm INCH		<b>DIMENSION STYLE</b> MM ONLY		SCALE 4:1	DESIGN UNITS METRIC	THIRD ANGLE PROJECTION
	4 PLACES	±---	±---	DRAWN BY	DATE	TITLE	
	3 PLACES	±---	±---	CHECKED BY	DATE	IMPACT 4 PAIR RAM UNGUIDED SIGNAL MODULE SALES DRAWING	
	2 PLACES	±0.13	±0.010	APPROVED BY	DATE		
1 PLACE	±0.25	±---	MATERIAL NO.		DOCUMENT NO.	SHEET NO.	
0 PLACE	±---	±---	ANGULAR ±1/2°		SD-76500-001	2 OF 2	
DRAFT WHERE APPLICABLE MUST REMAIN WITHIN DIMENSIONS			SEE TABLE		THIS DRAWING CONTAINS INFORMATION THAT IS PROPRIETARY TO MOLEX INCORPORATED AND SHOULD NOT BE USED WITHOUT WRITTEN PERMISSION		