

## **Excellent Integrated System Limited**

Stocking Distributor

Click to view price, real time Inventory, Delivery & Lifecycle Information:

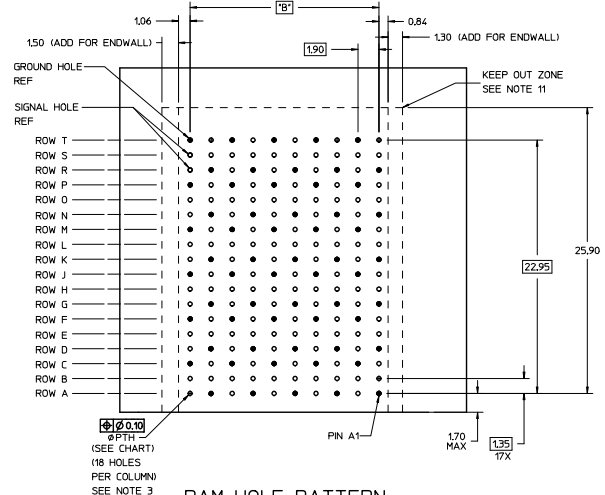
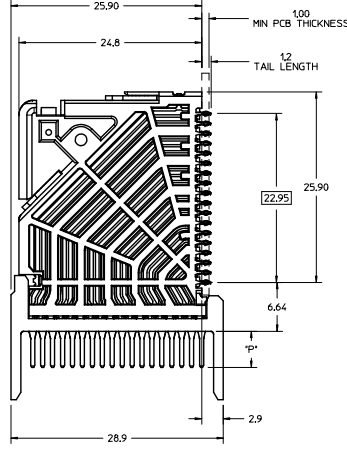
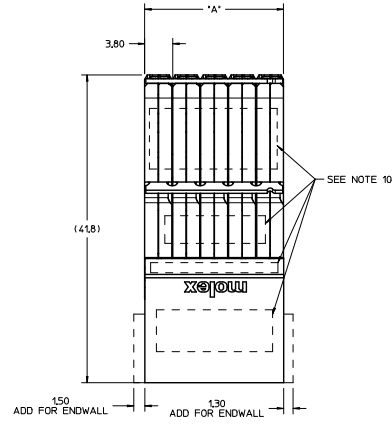
[Molex Connector Corporation](#)  
[0765601627](#)

For any questions, you can email us directly:  
[sales@integrated-circuit.com](mailto:sales@integrated-circuit.com)

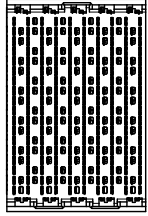
| MATERIAL NUMBER | # OF COLUMNS | # OF OFF PAIR | DM 'A' MAX | DM 'B' | PTH       |
|-----------------|--------------|---------------|------------|--------|-----------|
| 76560-17**      | 10           | 60            | 19.00      | 17.50  | 0.44±0.05 |
| 76560-17**      | 14           | 84            | 26.60      | 24.70  | 0.44±0.05 |
| 76560-16**      | 16           | 96            | 30.40      | 28.50  | 0.44±0.05 |
| 76560-17**      | 10           | 60            | 19.00      | 17.50  | 0.39±0.05 |
| 76560-17**      | 14           | 84            | 26.60      | 24.70  | 0.39±0.05 |
| 76560-16**      | 16           | 96            | 30.40      | 28.50  | 0.39±0.05 |

76560-\*\*\*  
 MODULE TYPE  
 1 = UNGUIDED, LEAD-FREE  
 PIN LENGTH (P)  
 4 = 4.90 (0.46 PTH)  
 5 = 5.50 (0.46 PTH)  
 7 = 4.90 (0.39 PTH)  
 8 = 5.50 (0.39 PTH)  
 # OF COLUMNS  
 1 = 10 COLUMNS  
 6 = 16 COLUMNS  
 7 = 14 COLUMNS

- NOTES:  
 1. MATERIALS: HOUSING - LIQUID CRYSTAL POLYMER (LCP), GLASS-FILLED, UL94V-0  
 TERMINALS - HIGH PERFORMANCE COPPER ALLOY  
 2. FINISH: 30UM SELECTIVE GOLD IN CONTACT AREA, SELECTIVE TIN ON PCB TAILS, NICKEL OVERALL  
 3. REFER TO MOLEX PRODUCT SPECIFICATION PS-76060-999 FOR PERFORMANCE SPECIFICATIONS AND ADDITIONAL PCB INFORMATION.  
 4. EACH SIGNAL WAFER CONTAINS 2 COLUMNS OF TERMINALS.  
 5. PRODUCT IS PACKAGED PER 94-70873-777.  
 6. THIS PART CONFORMS TO CLASS B REQUIREMENTS OF COSMETIC SPEC PS-45499-002.  
 7. REFER TO MOLEX SALES DRAWING SD-76150-001 FOR THE MATING RECEPTABLES.  
 8. REFER TO MOLEX PCB ROUTING GUIDE AS-76060-990 FOR ANTIPAD AND ROUTING RECOMMENDATIONS.  
 9. OPEN WALL VERSION SHOWN FOR CLARITY. SEE PCB LAYOUT FOR OVERALL LENGTH ADDITION ON THE ASSEMBLES WITH ENDWALLS.  
 10. MARKING LOCATED APPROXIMATELY AS SHOWN, PART NUMBER AND DATE CODE.  
 11. THESE DIMENSIONS REPRESENT THE AREA NEEDED TO ACCOMMODATE CONNECTOR INSERTION AND REPAIR ON THE PCB. THIS IS REFERRED TO AS THE 'CONNECTOR KEEP OUT ZONE' AND DOES NOT REPRESENT THE ACTUAL PERIMETER OF THE CONNECTOR.



RAM HOLE PATTERN (CONNECTOR SIDE)

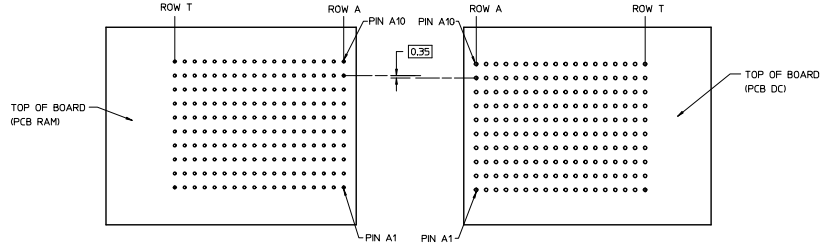
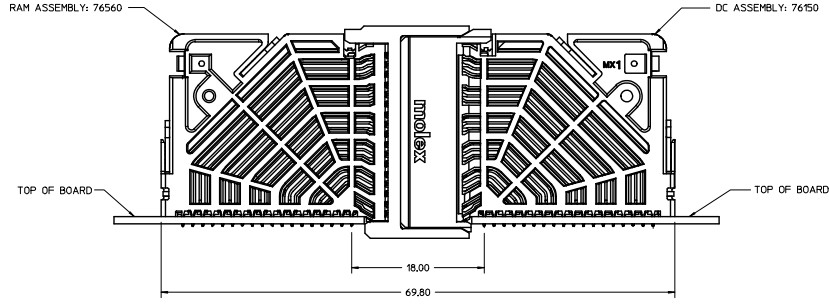


| QUALITY SYMBOLS | GENERAL TOLERANCES (UNLESS SPECIFIED) |      | DIMENSION STYLE |             | SCALE      | DESIGN UNITS | THIRD ANGLE PROJECTION                             |
|-----------------|---------------------------------------|------|-----------------|-------------|------------|--------------|--|
|                 | mm                                    | INCH | MM ONLY         | DATE        |            |              |  |
| ▽=0             | 4 PLACES ±---                         | ±--- | DRAWN BY        | JGONZALEZ01 | 2014/11/24 | TITLE        | IMPACT 6 PAIR RAM MARRIED - UNGUIDED SALES DRAWING |
| ▽=0             | 3 PLACES ±---                         | ±--- | CHECKED BY      |             |            |              |  |
| ▽=0             | 2 PLACES ±0.13                        | ±--- | APPROVED BY     | TELO        | 2016/01/10 | DOCUMENT NO. | SD-76560-9001                                      |
| ▽=0             | 1 PLACE ±0.25                         | ±--- | MATERIAL NO.    | SEE TABLE   |            | SHEET NO.    | 1 OF 2   |
| ▽=0             | 0 PLACE ±---                          | ±--- | ANGULAR ±1/2°   |             |            |              |  |

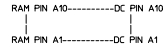
DRAFT WHERE APPLICABLE MUST REMAIN WITHIN DIMENSIONS

SIZE D THIS DRAWING CONTAINS INFORMATION THAT IS PROPRIETARY TO MOLEX INCORPORATED AND SHOULD NOT BE USED WITHOUT WRITTEN PERMISSION

**COPLANER APPLICATION**



**COPLANER MATED SIGNAL PATHS**



|  |                       |  |                  |   |               |  |
|--|-----------------------|--|------------------|---|---------------|--|
| SEE SHEET 1<br>EC NO. IEP205-3090<br>DRAWN: JGONZALEZ01 2014/11/24<br>CHKD: JGONZALEZ01 2016/01/10<br>APPR: TELQ<br>REV: | QUALITY SYMBOLS       | GENERAL TOLERANCES (UNLESS SPECIFIED)                | DRIMENSION STYLE | SCALE   | DESIGN UNITS  | THIRD ANGLE PROJECTION                             |
|  | ∇=0                   | mm INCH  | MM ONLY          | 4:1   | METRIC        |  |
|  | ∇=0                   | 4 PLACES ± --- ± ---                                 | DRAWN BY DATE    | JGONZALEZ01 2014/11/24  | TITLE         | IMPACT 6 PAIR RAM MARRIED - UNGUIDED SALES DRAWING |
|  | ∇=0                   | 3 PLACES ± --- ± ---                                 | CHECKED BY DATE  |   |               |  |
|  | 2 PLACES ± 0.13 ± --- | APPROVED BY DATE                                     | TELO 2016/01/10  | MATERIAL NO.  | DOCUMENT NO.  | SHEET NO.  |
|  | 1 PLACE ± 0.25 ± ---  | ANGULAR ±1/2°  | SEE CHART        |   | SD-76560-9001 | 2 OF 2   |
|  | 0 PLACE ± --- ± ---   | DRAFT WHERE APPLICABLE MUST REMAIN WITHIN DIMENSIONS | SIZE D           | THIS DRAWING CONTAINS INFORMATION THAT IS PROPRIETARY TO MOLEX INCORPORATED AND SHOULD NOT BE USED WITHOUT WRITTEN PERMISSION |               |  |