

Excellent Integrated System Limited

Stocking Distributor

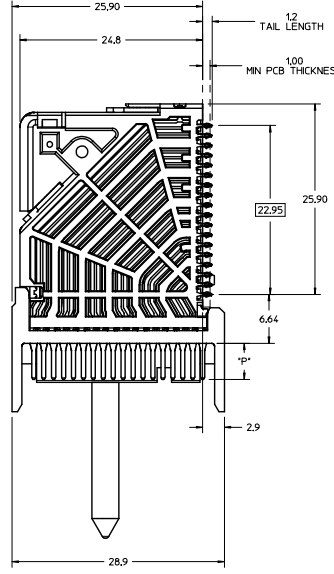
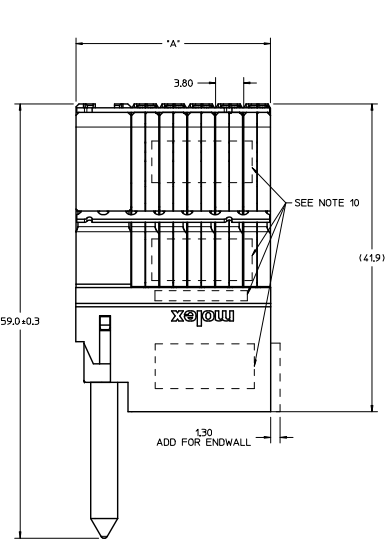
Click to view price, real time Inventory, Delivery & Lifecycle Information:

[Molex Connector Corporation](#)
[0765607708](#)

For any questions, you can email us directly:

sales@integrated-circuit.com

MATERIAL NUMBER	# OF COLUMNS	# OF OFF PAIR	DM 'A' MAX	DM 'B'	PTH
76560-14x	10	60	26,60	17,10	0,46±0,05
76560-17x	14	84	34,20	24,70	0,46±0,05
76560-19x	16	96	38,00	28,50	0,46±0,05
76560-14x	10	60	26,60	17,10	0,39±0,05
76560-17x	14	84	34,20	24,70	0,39±0,05
76560-19x	16	96	38,00	28,50	0,39±0,05

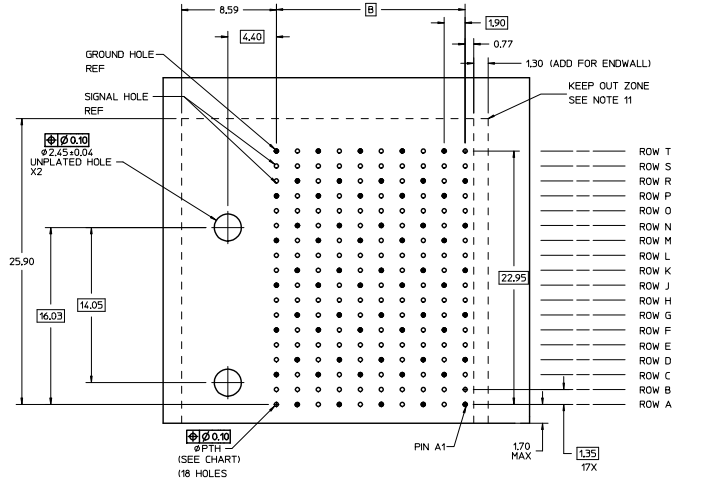


76560-***
 MODULE TYPE
 3 = GUIDED, LEAD-FREE
 7 = GUIDED, LEAD-FREE W/ENDWALL
 # OF COLUMNS
 1 = 10 COLUMNS
 6 = 16 COLUMNS
 7 = 14 COLUMNS

PIN LENGTH (P)
 4 = 4.90 (0.46 PTH)
 5 = 5.50 (0.46 PTH)
 7 = 4.90 (0.39 PTH)
 8 = 5.50 (0.39 PTH)

KEY ORIENTATION
 0 = NO KEY
 1 = A
 2 = B
 3 = C
 4 = D
 5 = E
 6 = F
 7 = G
 8 = H

- NOTES:
 1. MATERIALS: HOUSING - LIQUID CRYSTAL POLYMER (LCP), GLASS-FILLED, UL94V-0
 TERMINALS - HIGH PERFORMANCE COPPER ALLOY
 2. FINISH: 30µm SELECTIVE GOLD IN CONTACT AREA, SELECTIVE TIN ON PCB TAILS, NICKEL OVERLAP
 3. REFER TO MOLEX PRODUCT SPECIFICATION PS-76560-999 FOR PERFORMANCE SPECIFICATIONS AND ADDITIONAL PCB INFORMATION
 4. EACH SIGNAL WAFER CONTAINS 2 COLUMNS OF TERMINALS
 5. PRODUCT IS PACKAGED PER PR-70873-777
 6. THIS PART CONFORMS TO CLASS B REQUIREMENTS OF COSMETIC SPEC PS-45499-002
 7. REFER TO MOLEX SALES DRAWING SD-76150-004 FOR THE MATING RECEPTACLES
 8. REFER TO MOLEX PCB ROUTING GUIDE AS-76060-990 FOR ANTI-PAD AND ROUTING RECOMMENDATIONS
 9. WHEN USING A MOLEX SUPPLIED #2-32 SCREW 73726-0000 (9.50mm +/- 0.38 THREADABLE SCREW LENGTH) THE MAXIMUM BOARD THICKNESS IS 4.0MM
 10. MARKING LOCATED APPROXIMATELY AS SHOWN, PART NUMBER AND DATE CODE
 11. THESE DIMENSIONS REPRESENT THE AREA NEEDED TO ACCOMMODATE CONNECTOR INSERTION AND REPAIR ON THE PCB. THIS IS REFERRED TO AS THE 'CONNECTOR KEEP OUT ZONE' AND DOES NOT REPRESENT THE ACTUAL PERIMETER OF THE CONNECTOR.



RAM HOLE PATTERN (CONNECTOR SIDE)

QUALITY SYMBOL	GENERAL TOLERANCES (UNLESS SPECIFIED)		DIMENSION STYLE		SCALE	DESIGN UNITS	THIRD ANGLE PROJECTION
	mm	INCH	MM ONLY	DATE			
∇=0	4 PLACES	±---	±---	JGONZALEZ01	2015/06/25	4:1	METRIC
∇=0	3 PLACES	±---	±---	CHECKED BY	DATE		
∇=0	2 PLACES	±0.13	±---	APPROVED BY	DATE		
∇=0	1 PLACE	±0.25	±---	TELO	2016/01/10		
	0 PLACE	±---	±---				

ENV. GUIDE PIN DIM EC NO. UEP2046-3270 2016/07/19 DR. W. MORGAN 2016/07/19 CHK. C. I. BARRA 2016/07/19 APP. P. E. LOPEZ 2016/07/24

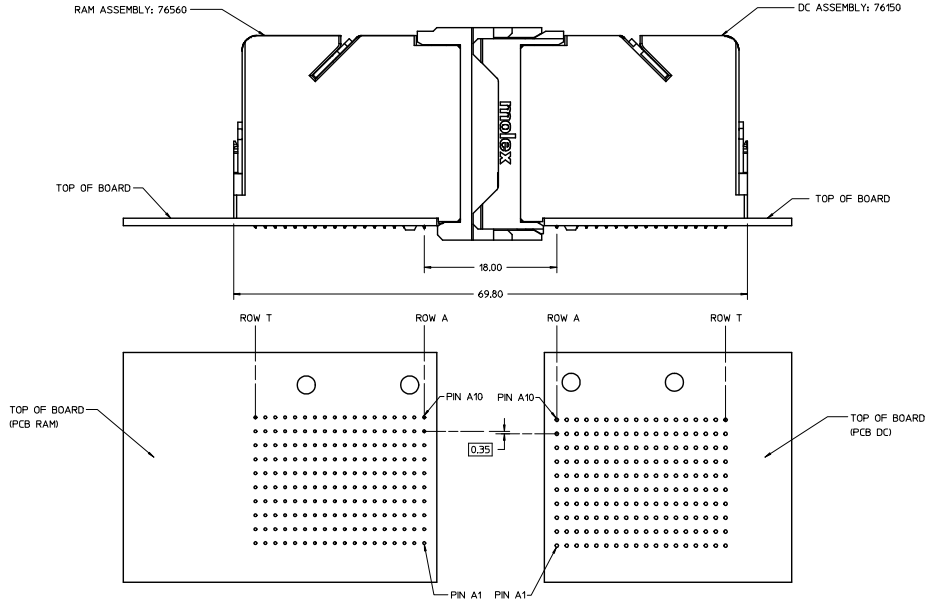
ANGULAR ±1/2°
 DRAFT WHERE APPLICABLE MUST REMAIN WITHIN DIMENSIONS
 SEE TABLE
 THIS DRAWING CONTAINS INFORMATION THAT IS PROPRIETARY TO MOLEX INCORPORATED AND SHOULD NOT BE USED WITHOUT WRITTEN PERMISSION

MATERIAL NO. DOCUMENT NO. SD-76560-9002 SHEET NO. 1 OF 2

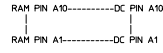
IMPACT 6 PAIR RAM MARRIED GUIDE LEFT SALES DRAWING

molex

COPLANAR APPLICATION



COPLANAR MATED SIGNAL PATHS



SEE SHEET 1 EC NO. 072046-3270 DRAWN BY: JGONZALEZ 2016/07/19 CHECKED BY: CHACOLIBARRA 2016/07/19 APPROVED BY: TELLO 2016/07/24 A1 REV.	QUALITY SYMBOLS	GENERAL TOLERANCES (UNLESS SPECIFIED)	DRAGON STYLE	SCALE	DESIGN UNITS	THIRD ANGLE PROJECTION	
	∇=0 ∇=0 ∇=0	mm INCH 4 PLACES ± --- ± --- 3 PLACES ± --- ± --- 2 PLACES ± 0.13 ± --- 1 PLACE ± 0.25 ± --- 0 PLACE ± --- ± ---	MM ONLY	4:1	METRIC	DRAWN BY: JGONZALEZ 2015/06/25 CHECKED BY: DATE APPROVED BY: DATE TELLO 2016/01/10	TITLE IMPACT 6 PAIR RAM MARRIED GUIDE LEFT SALES DRAWING
	ANGULAR ±1/2° DRAFT WHERE APPLICABLE MUST REMAIN WITHIN DIMENSIONS	MATERIAL NO. SEE CHART SIZE D	DOCUMENT NO. SD-76560-9002	SHEET NO. 2 OF 2			
	THIS DRAWING CONTAINS INFORMATION THAT IS PROPRIETARY TO MOLEX INCORPORATED AND SHOULD NOT BE USED WITHOUT WRITTEN PERMISSION						