

## Excellent Integrated System Limited

Stocking Distributor

Click to view price, real time Inventory, Delivery & Lifecycle Information:

[Molex Connector Corporation](#)  
[0768505038](#)

For any questions, you can email us directly:

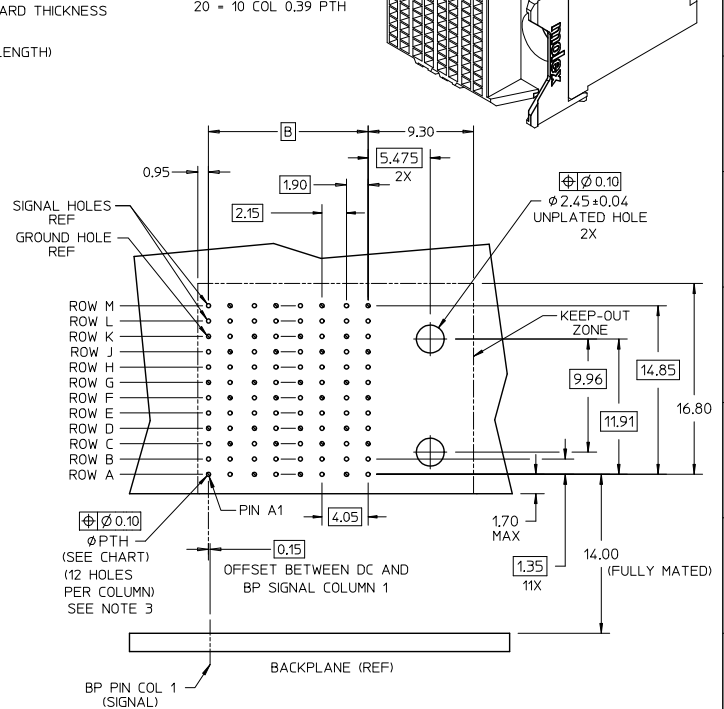
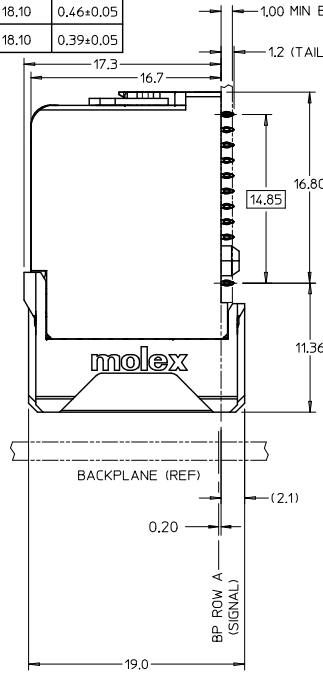
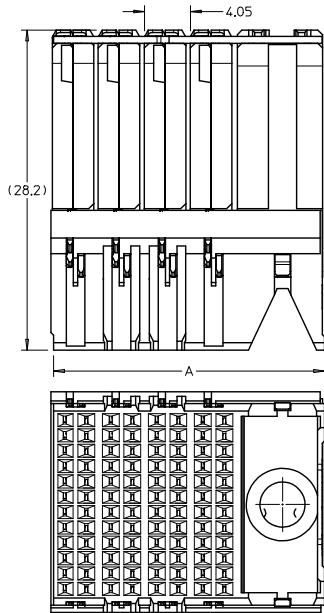
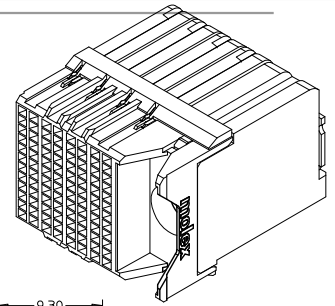
[sales@integrated-circuit.com](mailto:sales@integrated-circuit.com)

MATERIAL NUMBER	# OF COLUMNS	# OF DIFF PAIR	DIM 'A' MAX	DIM 'B'	PTHØ
76850-5006	6	24	20.25	10.00	0.46±0.05
76850-5036	6	24	20.25	10.00	0.39±0.05
76850-5008	8	32	24.30	14.05	0.46±0.05
76850-5038	8	32	24.30	14.05	0.39±0.05
76850-5010	10	40	28.35	18.10	0.46±0.05
76850-5020	10	40	28.35	18.10	0.39±0.05

76850-**\*0\*\***

MODULE & TAIL PLATING TYPE  
5 = RIGHT GUIDED, LEAD-FREE

# OF COLUMNS  
06 = 6 COL 0.46 PTH  
36 = 6 COL 0.39 PTH  
08 = 8 COL 0.46 PTH  
38 = 8 COL 0.39 PTH  
10 = 10 COL 0.46 PTH  
20 = 10 COL 0.39 PTH



DAUGHTERCARD HOLE PATTERN  
(CONNECTOR SIDE)

NOTES:

1. MATERIALS: HOUSING - LIQUID CRYSTAL POLYMER (LCP), GLASS-FILLED, UL94V-0  
TERMINALS - HIGH PERFORMANCE COPPER ALLOY
2. FINISH: 30µIN MIN GOLD IN CONTACT AREA, SELECTIVE TIN ON PCB TAILS, NICKEL OVERALL.
3. REFER TO MOLEX PRODUCT SPEC PS-76060-999 FOR PERFORMANCE SPECIFICATIONS AND ADDITIONAL PCB INFORMATION.
4. EACH SIGNAL WAFER CONTAINS 2 COLUMNS OF TERMINALS.
5. PRODUCT IS PACKAGED PER PK-70873-610.
6. THIS PART CONFORMS TO CLASS B REQUIREMENTS OF COSMETIC SPEC PS-45499-002.
7. REFER TO MOLEX SALES DRAWING SD-76845-003 FOR THE MATING HEADERS.
8. WHEN USING MOLEX SUPPLIED #2-32 SCREW 73726-0000 (9.50mm ±0.38 THREADABLE SCREW LENGTH), THE MAXIMUM BOARD THICKNESS IS 4.4mm.
9. REFER TO MOLEX ROUTING GUIDE AS-76850-990 FOR ADDITIONAL PCB LAYOUT AND ROUTING RECOMMENDATIONS.

REMOVE TIN-LEAD REF EC NO: UCP2015-5541 DRAWN BY MILLER CHKD: APPR: TELU B2	DESCRIPTION 2015/06/29 2015/07/07	QUALITY SYMBOLS ▽=0 ▽=0	GENERAL TOLERANCES (UNLESS SPECIFIED)		DIMENSION STYLE MM ONLY		SCALE 4:1	DESIGN UNITS METRIC	THIRD ANGLE PROJECTION
			mm	INCH	DRAWN BY JLAURX	DATE 2009/02/12	TITLE IMPACT DAUGHTERCARD 4 PAIR ORTHOGONAL GUIDE RIGHT SALES DWG		
			4 PLACES ±---	±---	CHECKED BY TELO	DATE 2010/01/13	MOLEX INCORPORATED		
			3 PLACES ±---	±---	APPROVED BY JLAURX	DATE 2010/11/04	MATERIAL NO. DOCUMENT NO. SHEET NO. SEE CHART SD-76850-004 1 OF 1		
			2 PLACES ±0.15	±---	DRAFT WHERE APPLICABLE MUST REMAIN WITHIN DIMENSIONS				
			1 PLACE ±0.25	±---	THIS DRAWING CONTAINS INFORMATION THAT IS PROPRIETARY TO MOLEX INCORPORATED AND SHOULD NOT BE USED WITHOUT WRITTEN PERMISSION				
			ANGULAR ±1/2°						