

## Excellent Integrated System Limited

Stocking Distributor

Click to view price, real time Inventory, Delivery & Lifecycle Information:

[Molex Connector Corporation](#)  
[0768601036](#)

For any questions, you can email us directly:

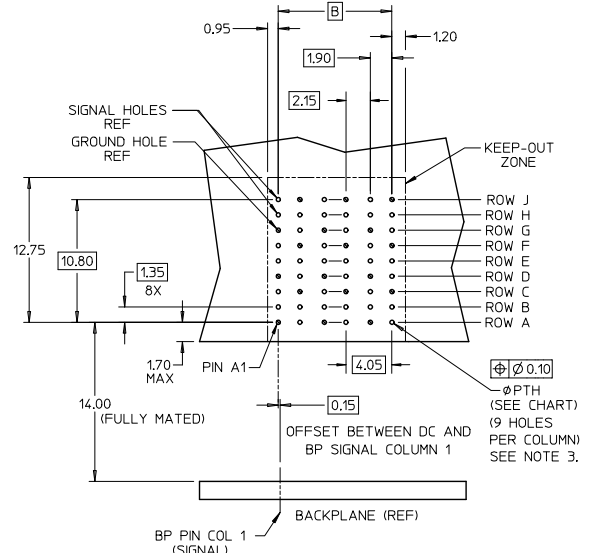
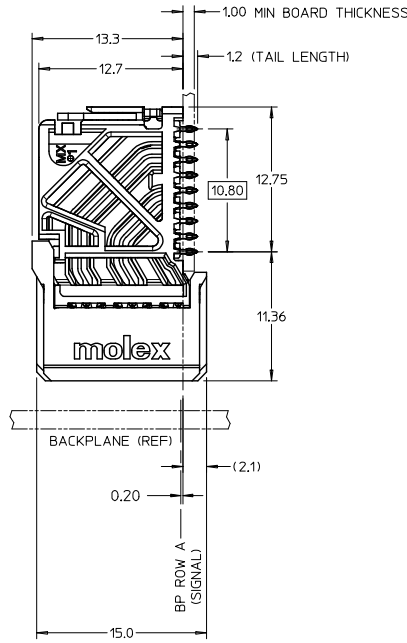
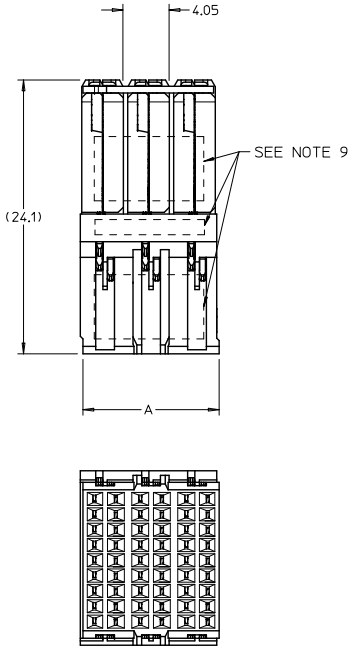
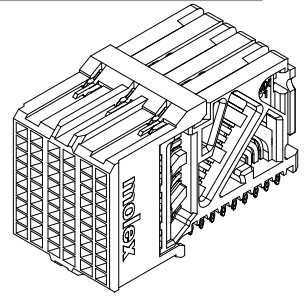
[sales@integrated-circuit.com](mailto:sales@integrated-circuit.com)

MATERIAL NUMBER	# OF COLUMNS	# OF DIFF PAIR	DIM "A" MAX	DIM "B"	PTH $\phi$
76860-1006	6	18	12.15	10.00	0.46+0.05
76860-1036	6	18	12.15	10.00	0.39+0.05
76860-1008	8	24	16.20	14.05	0.46+0.05
76860-1038	8	24	16.20	14.05	0.39+0.05

76860-\*0\*\*

MODULE & TAIL PLATING TYPE  
1 = UNGUIDED, LEAD-FREE

# OF COLUMNS  
06 = 6 COL 0.46 PTH  
36 = 6 COL 0.39 PTH  
08 = 8 COL 0.46 PTH  
38 = 8 COL 0.39 PTH



DAUGHTERCARD HOLE PATTERN  
(CONNECTOR SIDE)

- NOTES:
1. MATERIALS: HOUSING - LIQUID CRYSTAL POLYMER (LCP), GLASS-FILLED, UL94V-0  
TERMINALS - HIGH PERFORMANCE COPPER ALLOY
  2. FINISH: 30 $\mu$ IN MIN GOLD IN CONTACT AREA, SELECTIVE TIN ON PCB TAILS, NICKEL OVERALL.
  3. REFER TO MOLEX PRODUCT SPEC PS-76060-999 FOR PERFORMANCE SPECIFICATIONS AND ADDITIONAL PCB INFORMATION.
  4. EACH SIGNAL WAFER CONTAINS 2 COLUMNS OF TERMINALS.
  5. PRODUCT IS PACKAGED PER PK-70873-591.
  6. THIS PART CONFORMS TO CLASS B REQUIREMENTS OF COSMETIC SPEC PS-45499-002.
  7. REFER TO MOLEX SALES DRAWING SD-76855-001 FOR THE MATING HEADERS.
  8. REFER TO MOLEX ROUTING GUIDE AS-76850-990 FOR ADDITIONAL PCB LAYOUT AND ROUTING RECOMMENDATIONS.
  9. MARKING: LOCATED APPROXIMATELY AS SHOWN, PART NUMBER AND DATE CODE.

ADD LASER MARK INFO EC NO: UCP2016-3973 DRAWN BY: 2015/07/29 CHKD: TEL 2016/02/22 APPR: TEL 2016/04/20	QUALITY SYMBOLS ▽=0 ▽=0	GENERAL TOLERANCES (UNLESS SPECIFIED)		DIMENSION STYLE		SCALE	DESIGN UNITS	THIRD ANGLE PROJECTION	
				MM ONLY		4:1	METRIC		
		4 PLACES ± --- ± ---		DRAWN BY: JLAURX		DATE: 5/5/09		TITLE: IMPACT DAUGHTERCARD 3 PAIR ORTHOGONAL UNGUIDED SALES DRAWING	
		3 PLACES ± --- ± ---		CHECKED BY: TEL		DATE: 2010/01/13			
2 PLACES ± 0.15 ± ---		APPROVED BY: JBINGHAM		DATE: 2010/01/14		MOLEX INCORPORATED SD-76860-001			
1 PLACE ± 0.25 ± ---		MATERIAL NO. SEE CHART		DOCUMENT NO. SD-76860-001				SHEET NO. 1 OF 1	
ANGULAR ± 1/2°		DRAFT WHERE APPLICABLE MUST REMAIN WITHIN DIMENSIONS		SIZE C		THIS DRAWING CONTAINS INFORMATION THAT IS PROPRIETARY TO MOLEX INCORPORATED AND SHOULD NOT BE USED WITHOUT WRITTEN PERMISSION			