

Excellent Integrated System Limited

Stocking Distributor

Click to view price, real time Inventory, Delivery & Lifecycle Information:

[Molex Connector Corporation](#)
[0782291023](#)

For any questions, you can email us directly:

sales@integrated-circuit.com

10 9 8 7 6 5 4 3 2 1

TABLE 1 : UNITIZED CONNECTOR WITH HOLD DOWN MODULE \triangle

PART NUMBER	NUMBER OF POWER MODULES	*DIM A*	PLATING OPTION	HOLD DOWN MODULE LOCATION
78229-100*	1X	10.90	TIN	LEFT (REFER TO SHEET 2 FOR DETAILS)
78229-10**	2X	18.30		
78229-200*	1X	10.90		RIGHT (REFER TO SHEET 3 FOR DETAILS)
78229-20**	2X	18.30		

PART NUMBER LEGEND: 78229-*0**

PLATING OPTION	HOLD DOWN MODULE LOCATION	*
TIN	LEFT	1
	RIGHT	2

* POWER MODULE 2	BLADE LENGTH	
	P1	P2
0	MODULE NOT PRESENT	
1	8.27	8.27
2	8.27	9.77
3	6.77	9.77

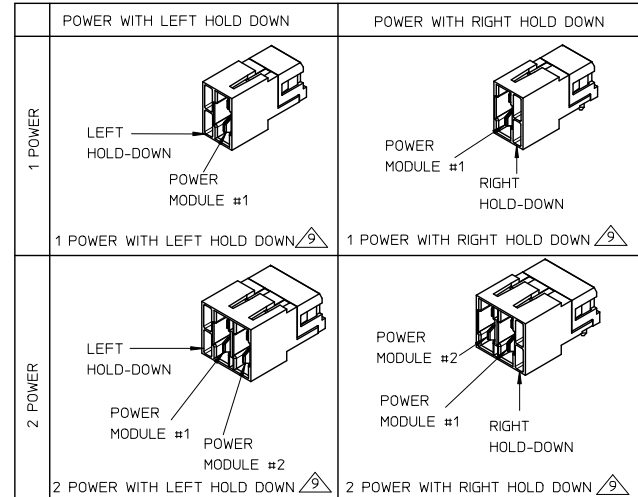
* POWER MODULE 1	BLADE LENGTH	
	P1	P2
1	8.27	8.27
2	8.27	9.77
3	6.77	9.77

NOTES

- MATERIALS :
HOUSING - HIGH TEMP. THERMOPLASTIC, GLASS FILLED, UL94-V0,COLOR:BLACK.
POWER PIN - COPPER ALLOY
- FINISHES :
POWER CONTACTS
0.76 μ m MINIMUM GOLD AT CONTACT AREA AND
2.54 μ m MINIMUM TIN AT SOLDERTAIL AREA OVER
1.27 μ m MINIMUM NICKEL UNDERPLATE.
- PRODUCT SPECIFICATION: PS-78231-006.
COMPONENT STAY AWAY ZONE FROM CONNECTOR.
 \triangle PCB NOTE FOR PLATED HOLE.

TYPE OF PLATED HOLE	DRILLED HOLE SIZE	PLATING THICKNESS	PLATED HOLE SIZE *DIM H*
TIN/TIN-LEAD	0.838	0.007 MIN TIN/TIN-LEAD/SILVER	0.725±0.075
SILVER	0.863	OVER 0.03 TO 0.08 COPPER PLATING	0.750±0.050

- MATES WITH 78227-1*** and 78230-****.
- PART NUMBER AND YEAR-DAY CODE CAN BE ON EITHER SIDE OF WALL.
- ADD 7.40mm FOR EACH ADDITIONAL MODULE.
- THE DETAILS FOR LEFT HOLD DOWN OPTION SHOWN ON SHEET 2 AND RIGHT HOLD DOWN OPTION SHOWN ON SHEET 3.
- CONNECTORS ARE PACKED IN A TRAY.
- MODULE LOCATION IS FROM NEXT TO HOLD DOWN MODULE WITH STARTING MODULE AS *#1*.
- BOTTOM AND TOP CIRCUITS ARE INDICATED AS *CKT A* AND *CKT B*.
- ALL PARTS ARE SHIPPED WITH A 2-32 TYPE AB SELF-TAPPING SCREW PART NUMBER 73726-0005.
- PACKAGING PROCEDURE AS PER PK-78229-001.



INITIAL RELEASE
EC NO: S2012-0455
DRAWN: SHONG
CHKD: LING
APPR: INAGESHKN
2011/12/07
2011/12/27
2012/01/17

QUALITY SYMBOLS
 $\nabla=0$
 $\triangle=0$

	GENERAL TOLERANCES (UNLESS SPECIFIED)	
	mm	INCH
4 PLACES	± ---	± ---
3 PLACES	± ---	± ---
2 PLACES	± 0.25	± ---
1 PLACE	± ---	± ---
ANGULAR ± 3°		

DRAFT WHERE APPLICABLE MUST REMAIN WITHIN DIMENSIONS

DIMENSION STYLE
MM ONLY

SCALE
NTS

DESIGN UNITS
METRIC

THIRD ANGLE PROJECTION

DRAWN BY: KCHEW DATE: 2011/11/04
CHECKED BY: DATE:
APPROVED BY: DATE: 2011/11/29
MATERIAL NO.:
DOCUMENT NO.:

I-TRAC POWER .7 ROW
HEADER WITH HOLD DOWN
PRESS FIT, R/A

MOLEX INCORPORATED

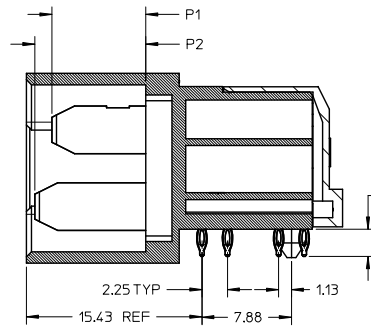
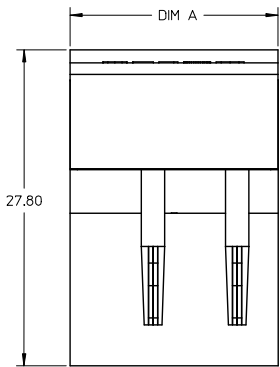
SD-78229-003

SHEET NO. 1 OF 3

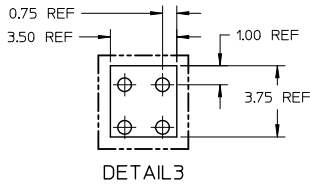
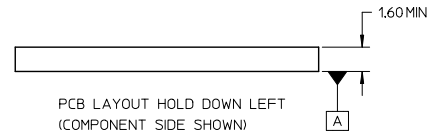
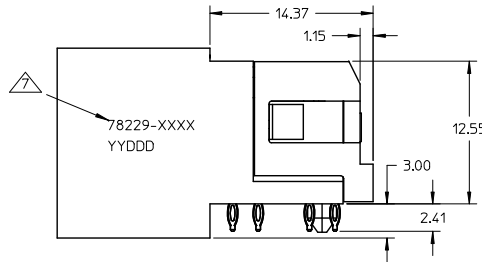
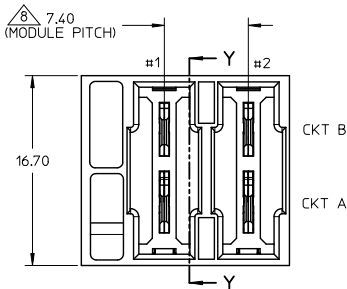
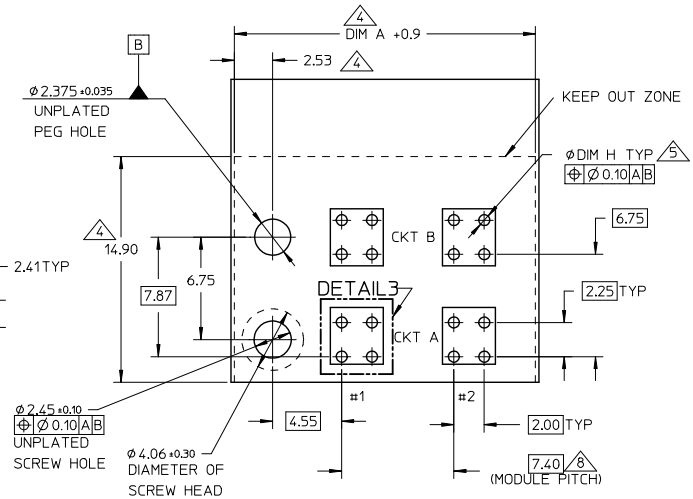
THIS DRAWING CONTAINS INFORMATION THAT IS PROPRIETARY TO MOLEX INCORPORATED AND SHOULD NOT BE USED WITHOUT WRITTEN PERMISSION

9 8 7 6 5 4 3 2 1

LEFT HOLD DOWN OPTION

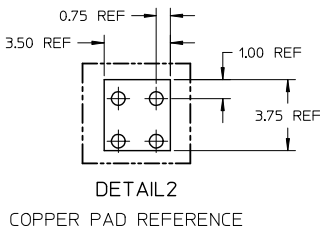
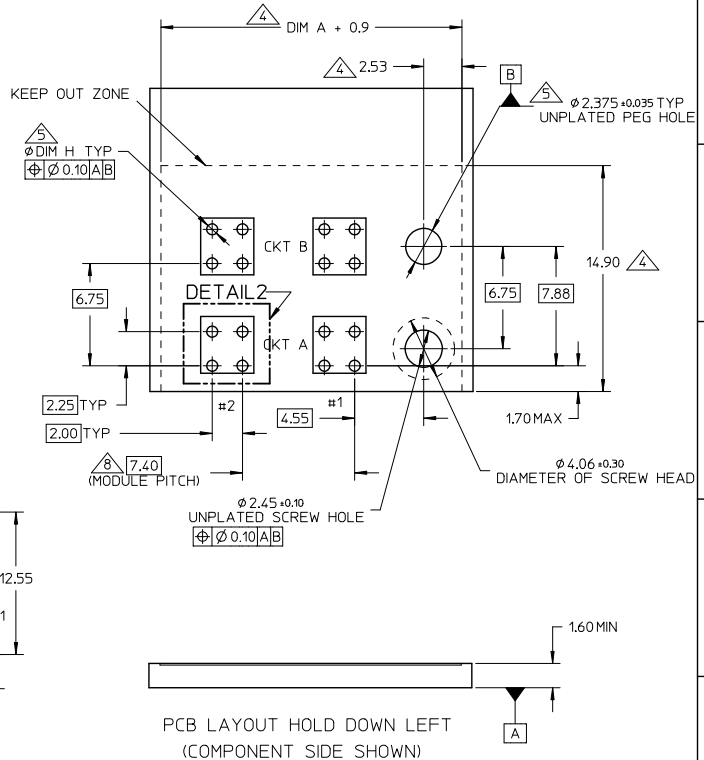
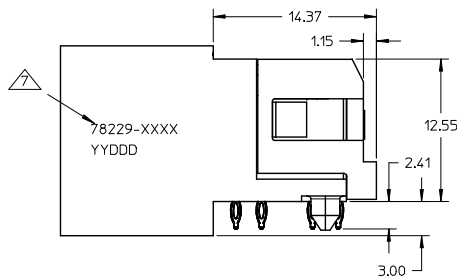
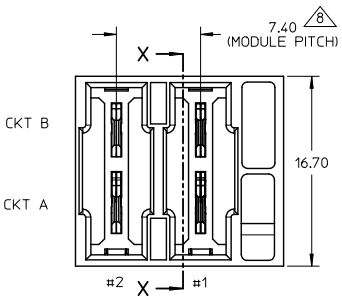
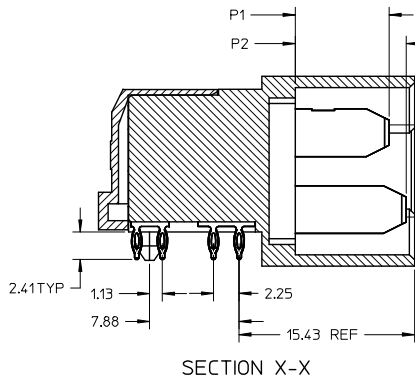
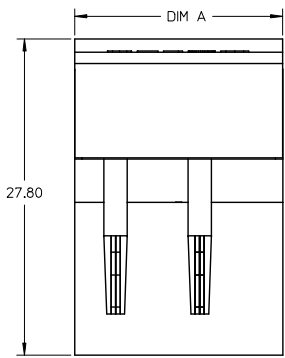


SECTION Y-Y



INITIAL RELEASE EC NO: S2012-0455 DRAWN: SHONG CHK: LING APPR: NAGESHKN 2011/12/07 2011/12/27 2012/01/17	QUALITY SYMBOLS ▽=0 ▽=0	GENERAL TOLERANCES (UNLESS SPECIFIED)		DIMENSION STYLE MM ONLY		SCALE NTS	DESIGN UNITS METRIC	THIRD ANGLE PROJECTION
		4 PLACES ± --- ± --- 3 PLACES ± --- ± --- 2 PLACES ± 0.25 ± --- 1 PLACE ± --- ± --- ANGULAR ± 3°	mm INCH ± --- ± --- ± --- ± --- ± --- ± --- ± --- ± ---	DRAWN BY KCHEW CHECKED BY LNG APPROVED BY SHONG MATERIAL NO. SEE TABLE	DATE 2011/11/04 DATE 2011/11/29	TITLE I-TRAC POWER .7 ROW HEADER WITH HOLD DOWN PRESS FIT, R/A MOLEX INCORPORATED DOCUMENT NO. SD-78229-003	SHEET NO. 2 OF 3	

RIGHT HOLD DOWN OPTION



INITIAL RELEASE EC NO: S2012-0455 DRAWN: SHONG CHK: LING APPR: INAGESHKN 2011/12/07 2011/12/27 2012/01/17	QUALITY SYMBOLS ▽=0 ▽=0	GENERAL TOLERANCES (UNLESS SPECIFIED)		DIMENSION STYLE MM ONLY		SCALE NTS	DESIGN UNITS METRIC	THIRD ANGLE PROJECTION
		4 PLACES ± --- ± --- 3 PLACES ± --- ± --- 2 PLACES ± 0.25 ± --- 1 PLACE ± --- ± --- ANGULAR ± 3°	mm INCH ± --- ± --- ± --- ± --- ± --- ± --- ± --- ± ---	DRAWN BY KCHEW CHECKED BY LNG APPROVED BY SHONG MATERIAL NO. SEE TABLE	DATE 2011/11/04 DATE 2011/11/29	TITLE I-TRAC POWER .7 ROW HEADER WITH HOLD DOWN PRESS FIT, R/A MOLEX INCORPORATED	DOCUMENT NO. SD-78229-003	SHEET NO. 3 OF 3